

NG4access ODF Platform

Patch Cord Routing Guide

TECP-90-705 • Issue 4 • 3/2016

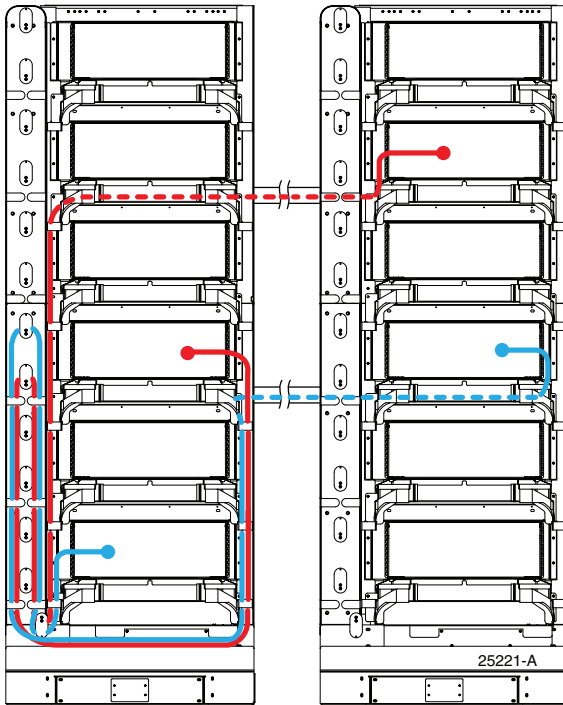


Table of Contents

Recommended Patch Cord Length (Meters/Feet).....	1
General Routing Guidelines	2
Cross-Connect Within Single Frame	5
Cross-Connect Between Frames	6
Installing Adapter Packs on Front of Universal Chassis.....	8
Routing Patch Cord Within Universal Chassis.....	10
Interconnect Application Without FOTSP.....	11
Interconnect Application With FOTSP.....	12

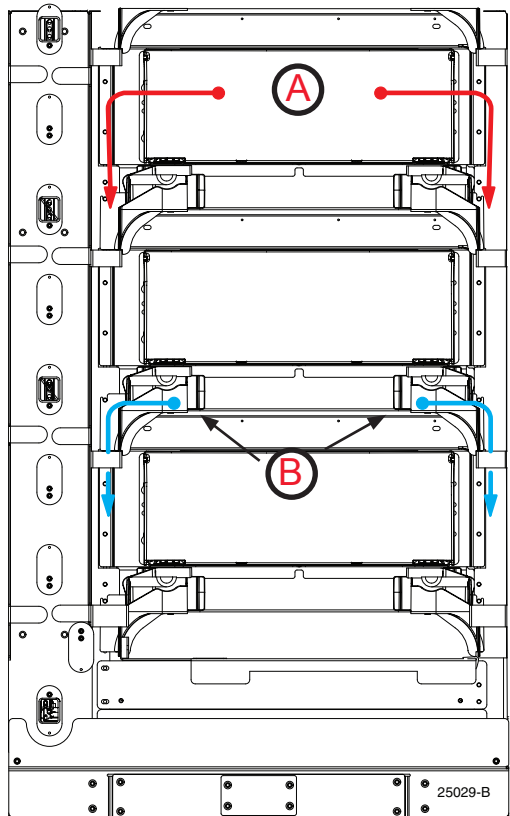
Recommended Patch Cord Length (Meters/Feet)

	Number of Frames								
	1	2	3	4-5	6	7-8	9	10-11	12-13
Without FOTSP*	6 m	7	8	9	9	11	13	14	15
	20 ft	22.5	25	30	30	35	42	45	50
With FOTSP*	6 m	8	9	11	12	14	15	17	19
	20 ft	25	30	35	40	45	50	55	60

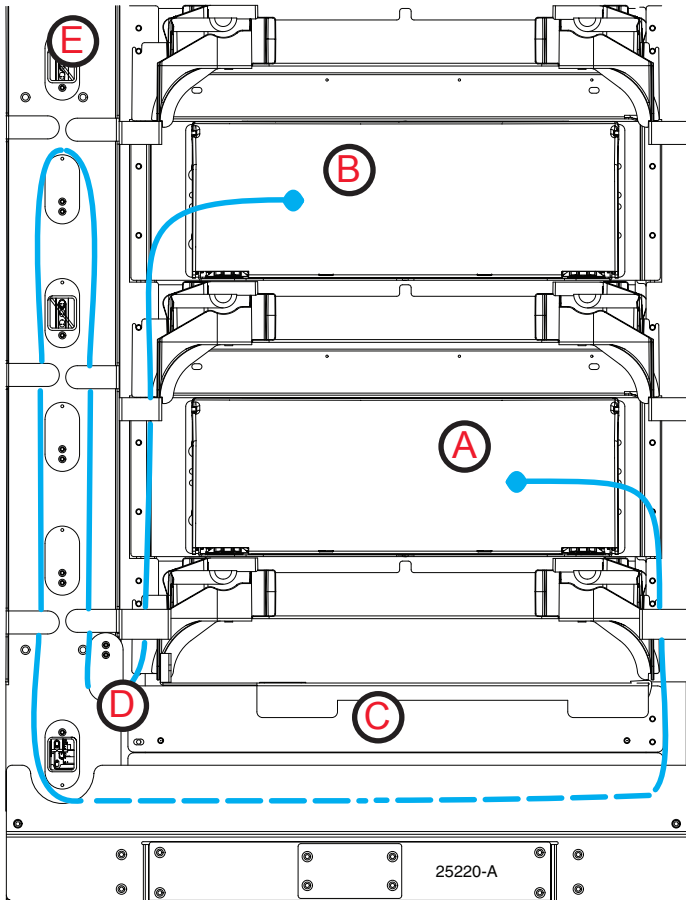
*Fiber Optic Storage Panel

General Routing Guidelines

1. **Always** route patch cords **down** from chassis termination point (A) or front-to-rear trough (B).

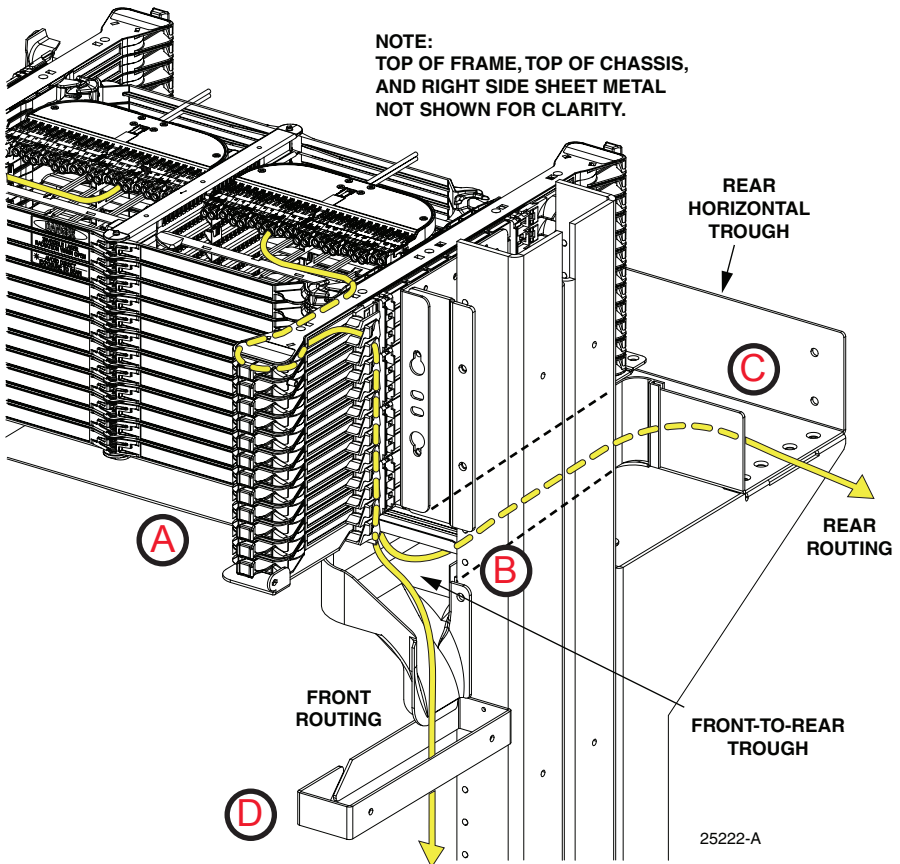


2. **Always** store slack on last end to be terminated and terminate both ends before storing slack. To do this: Terminate patch cord at origination chassis (A). Terminate patch cord at destination chassis (B). Route both ends to bottom trough (C). Pull slack to anchor spools (D). Move slack loop up and over storage spools, placing loop on top of highest spool (E), leaving a gentle drip loop below the anchor spool (D).

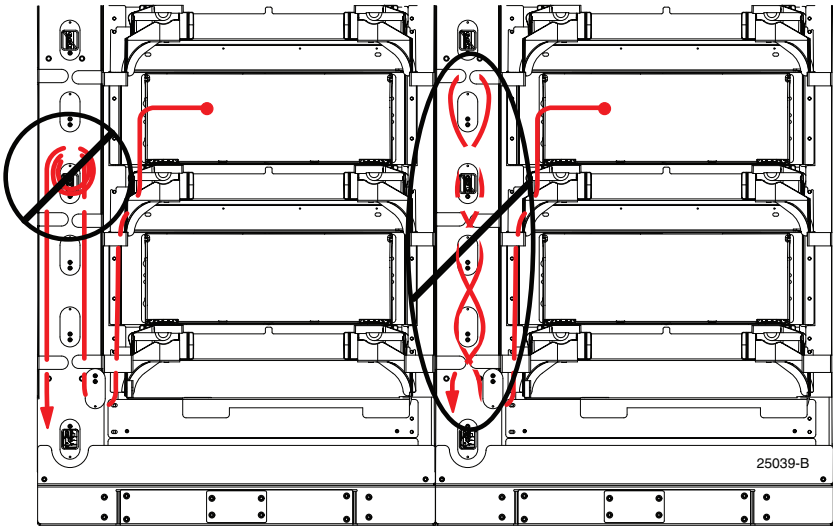


3. **Always** route from origination frame (A) to destination frame using front-to-rear trough (B) and rear horizontal trough (C).

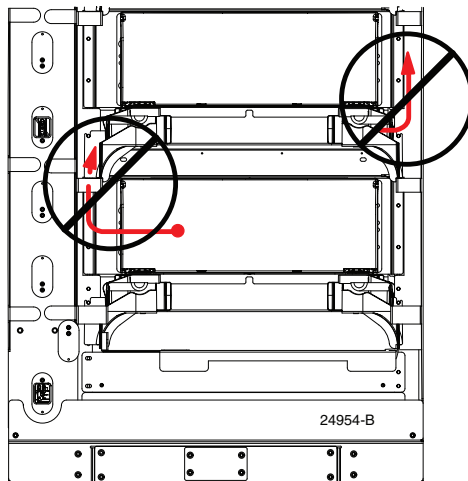
To route to a termination point on same frame, use vertical cable guides (D) front routing.



4. **Never** wrap a patch cord around the same spool multiple times or in a figure eight pattern.

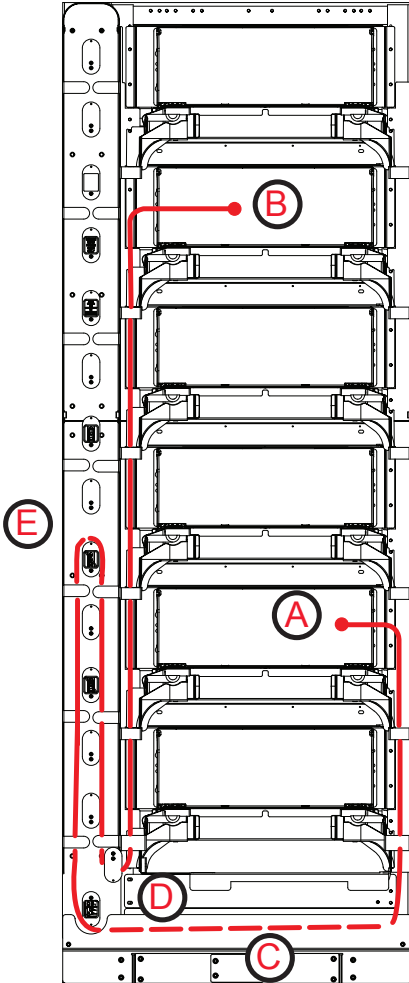


5. **Never** route patch cords up from a chassis or front-to-rear trough toward the top of the frame.

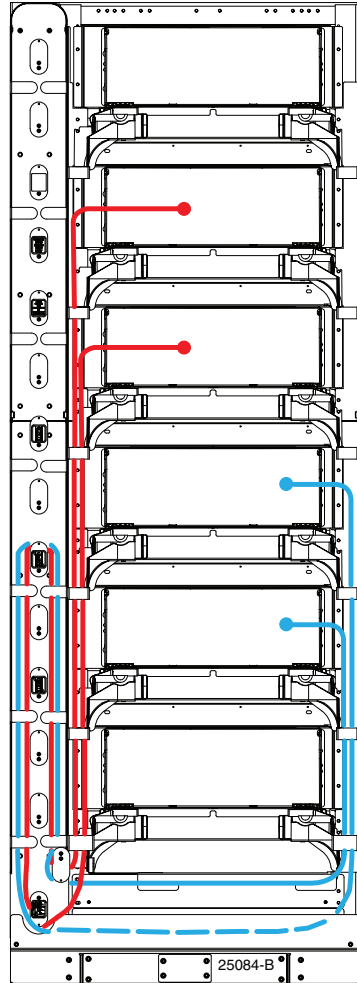


Cross-Connect Within a Single Frame

Connect patch cord at first termination point (A). Connect at second termination point (B). Route down through vertical cable guides to bottom trough (C). Route to anchor spools (D). Loop over highest storage spool highest spool (E), leaving gentle drip loop.



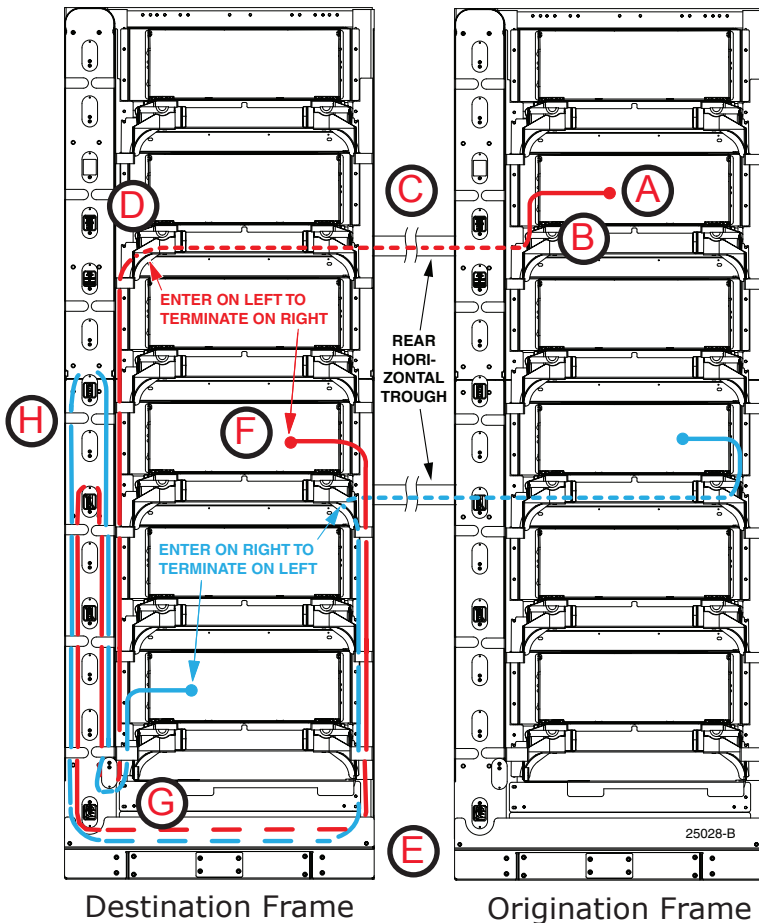
Termination points on opposite sides of frame



Termination points on same side of frame

Cross-Connect Between Frames

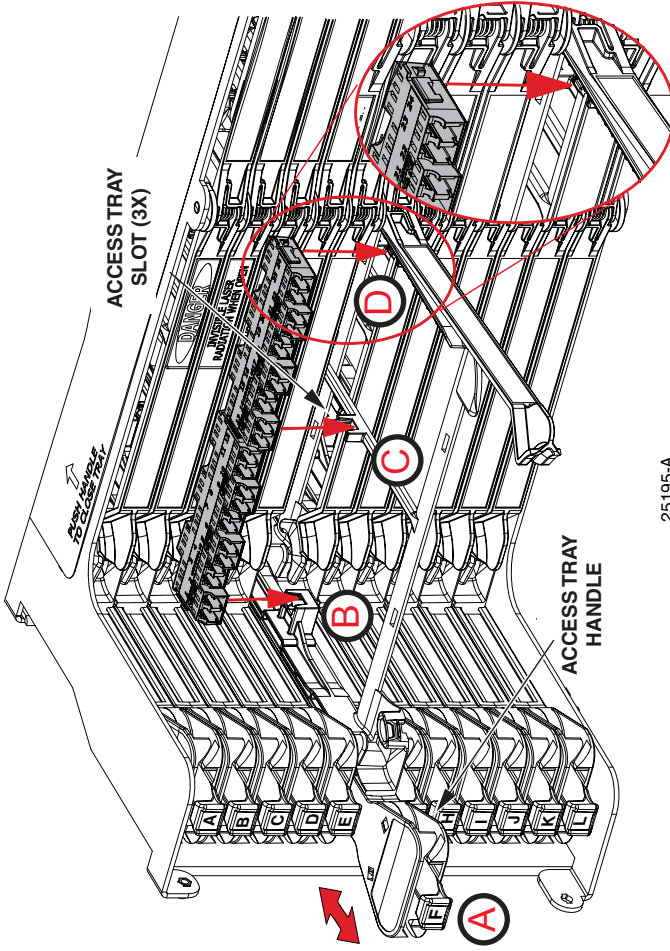
Determine proper patch cord length from table on page 2. Terminate origination end of patch cord (A). Route through front-to-rear trough (B) to rear horizontal trough (C) to destination frame front-to-rear trough (D) (always on opposite side of frame from termination point). Route down through vertical cable guides to bottom trough (E). Connect other end of patch cord (F). Route to anchor spools (G). Take up slack on storage spools (H), looping the slack over the highest spool leaving gentle drip loop below anchor spool.



Installing Adapter Packs

Adapter packs can be installed from either front or rear of the chassis. If installing from the front: Pull open chassis door (not shown) and let it swing down below the chassis. Pull out the access tray handle (A) to access the tray.

Position the adapter pack tabs on the access tray slots in locations (B), (C), and D). Press the tabs into the slots until a definite click is heard or felt. Push in access tray handle to close the access tray.



NOTE: Orient adapter packs with TE logo facing to front.

Routing Patch Cord Within Universal Chassis (shown on left side access tray)

Pull open chassis door (not shown) and let it swing down below the chassis.

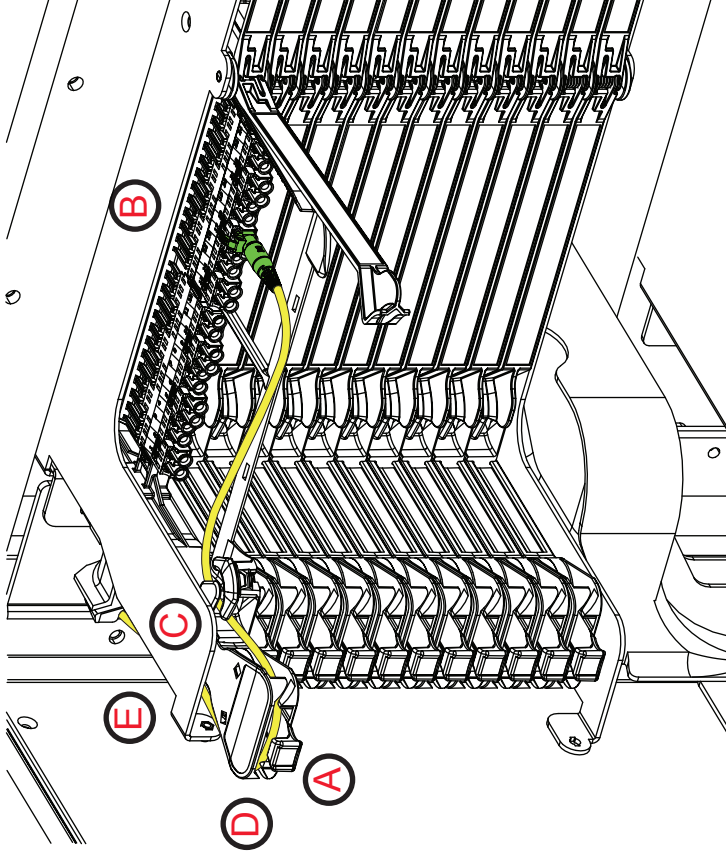
Pull out access tray handle (A) to access adapters.

Connect patch cord to designated adapter (B).

Place patch cord within tray cable guide (C).

Place patch cord around end of arm guide (D).

Route patch cord to outer side guide strip (E). Push in access tray handle to close access tray (A).

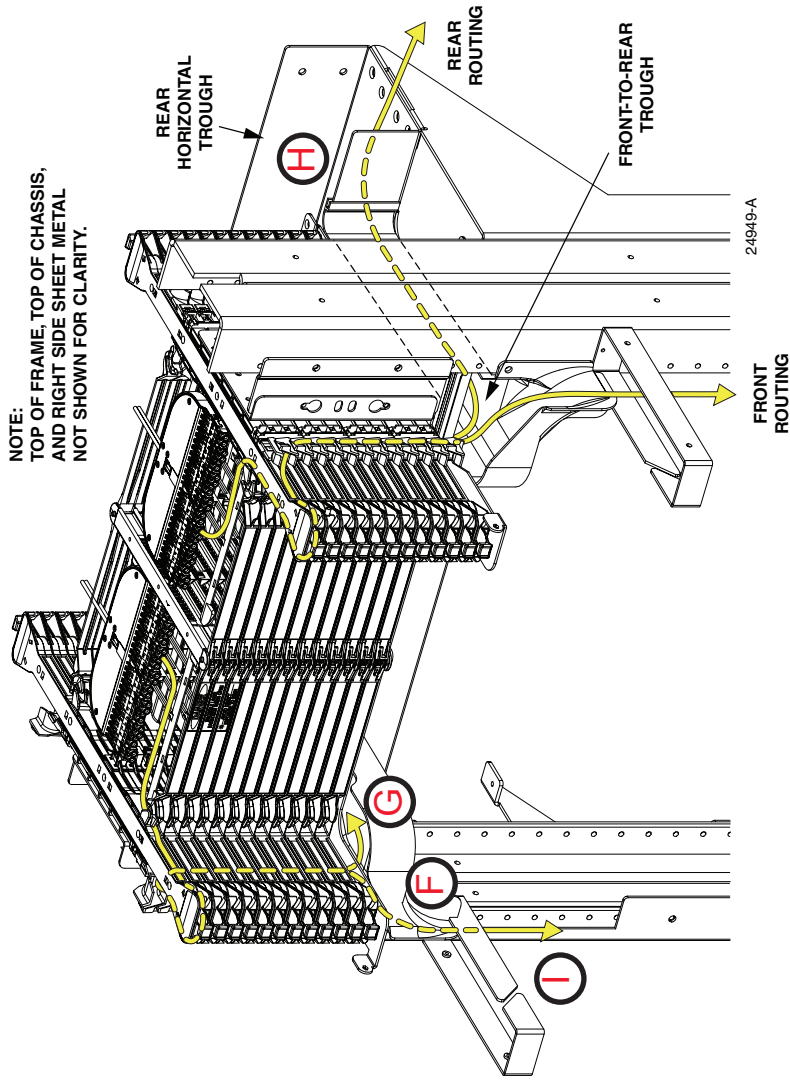


24950-A

(continued on next page)

(continued from previous page)

Route patch cord down guide to trough "decision point" (F), and then in either of two directions: through front-to-rear trough (G) to rear horizontal trough (H), then to destination frame; or down through vertical cable guides on same frame (I). Close chassis door (not shown). NOTE: This drawing also shows the same routing steps for routing a patch cord on a right side access tray.



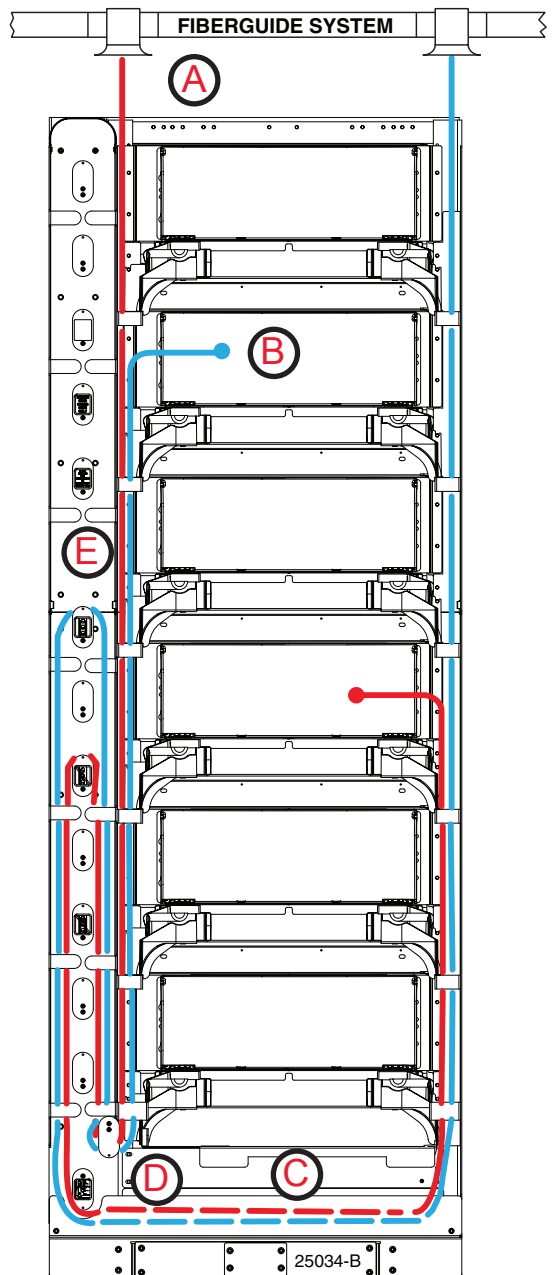
Interconnect Routing on Single Frame (Without FOTSP)

Route patch cord down front of frame from above (A) (always on opposite side of frame from termination point).

Connect patch cord at designated chassis adapter (B).

Route patch cord through vertical cable guides and bottom trough (C) to anchor spools (D).

Store slack on storage spools (E), looping the slack over the highest spool, leaving gentle drip loop below anchor spools.



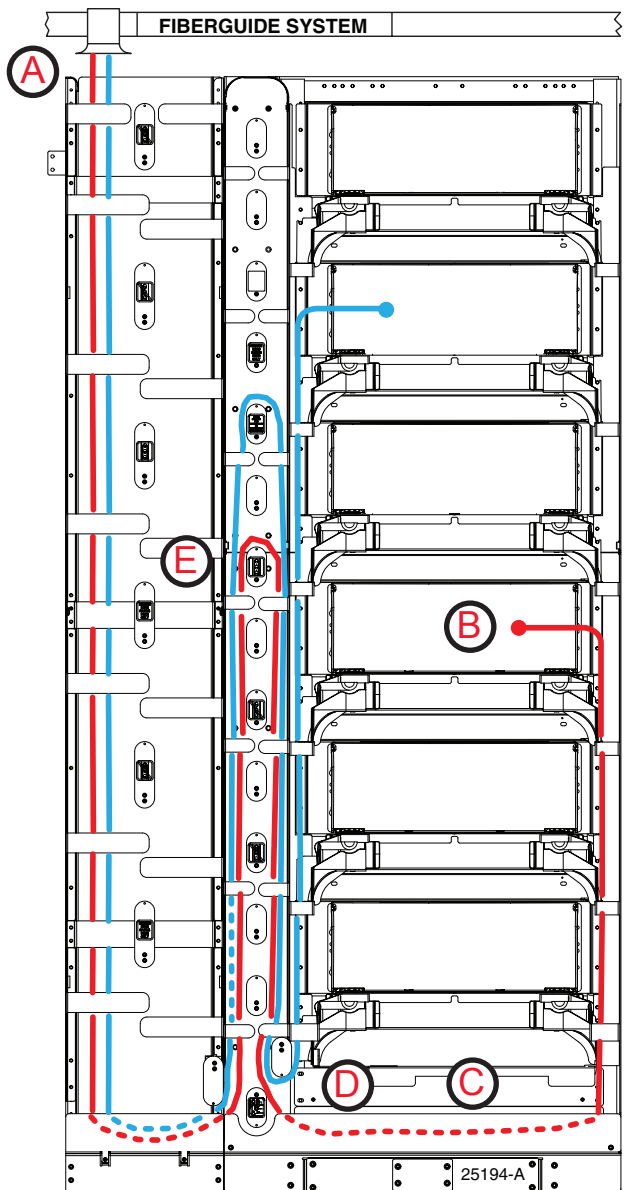
Interconnect Routing on Single Frame (With FOTSP)

Route patch cord from FiberGuide System down through FOTSP front trough (A).

Connect patch cord at designated chassis adapter (B).

Route patch cord through vertical cable guides to bottom trough (C) and then to anchor spools (D).

Store slack on storage spools (E), looping the slack over the highest spool, leaving gentle drip loop below anchor spools.



CommScope Technical Assistance 1.800.830.5056.

Email: TACAmericas@commscope.com