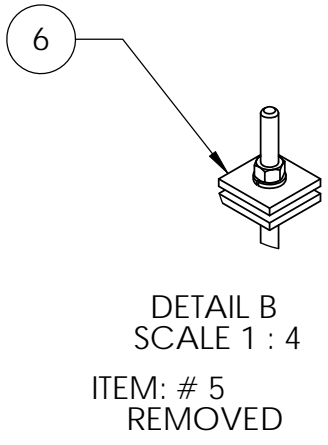
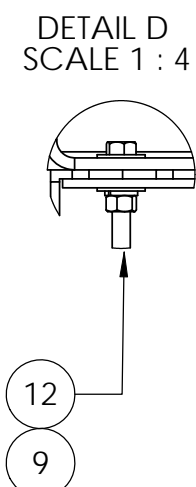
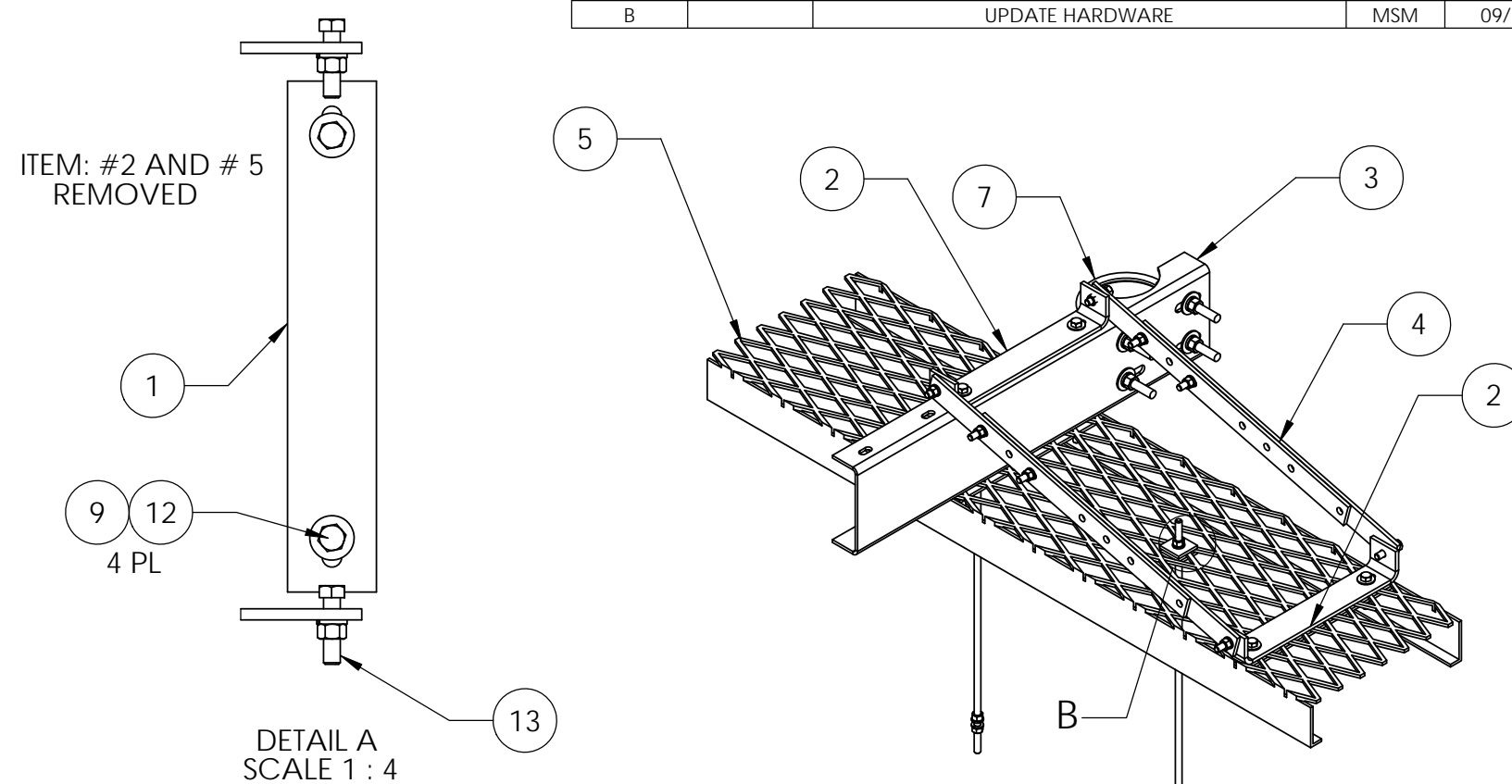
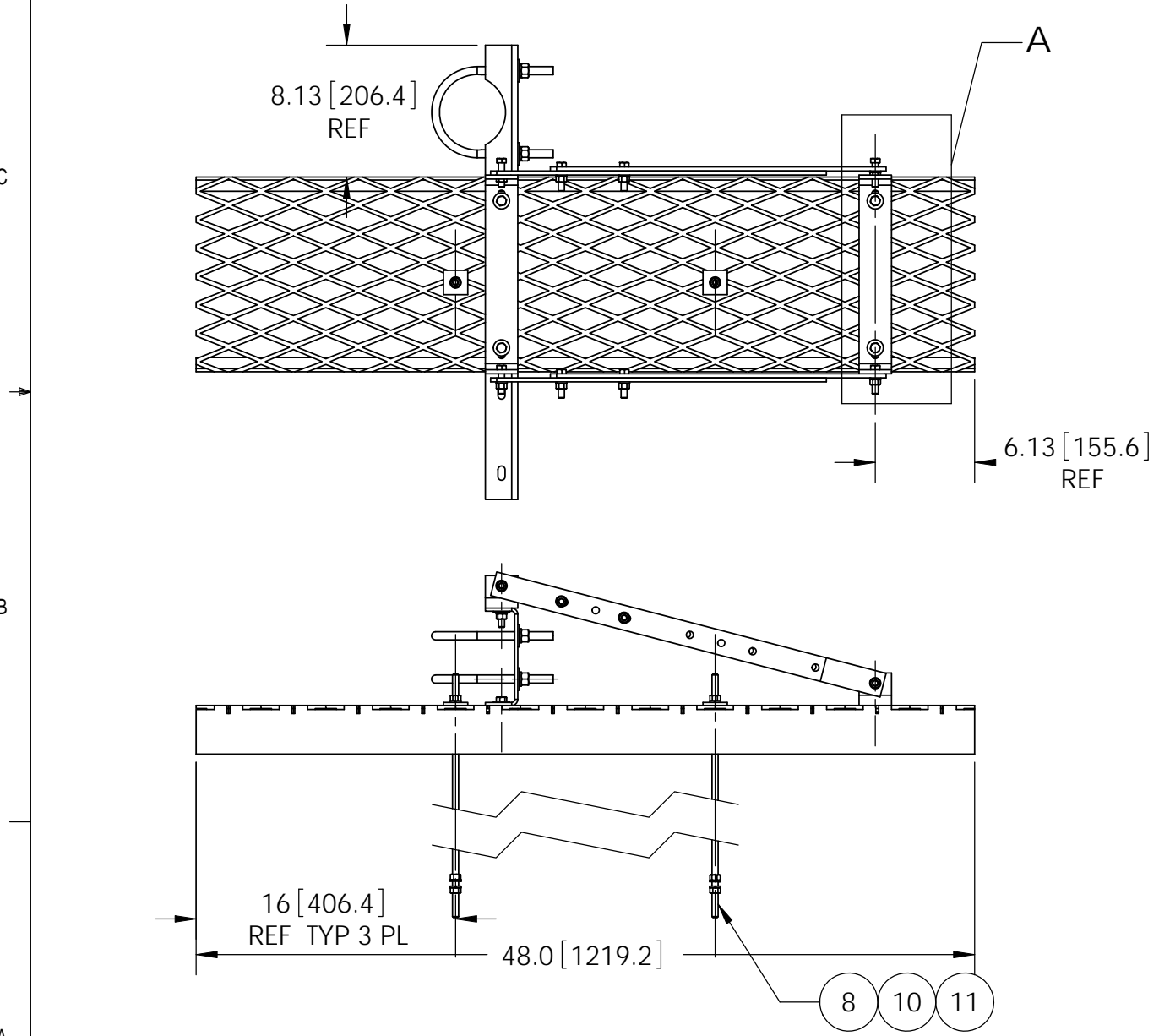


ITEM	PART NO.	DESCRIPTION	QTY.	WEIGHT
1	MDIS01	MDIS Backing Plate	2	1.18 LBS
2	MDIS02	End Bracket	2	2.09 LBS
3	MDIS03	MDISD BRACKET	1	13.06 LBS
4	MDIS04	Adjustment Bar 4' MDIS	4	2.13 LBS
5	WP198.01	SAFETY GRATING 12" X 48"	1	26.47 LBS
6	MT-387	SQUARE WASHER, 1-1/2" X 1-1/2" W/ 7/16" HOLE	4	0.11 LBS
7	GUB-4457	1/2" X 4-5/8" X 7" GALV U-BOLT	2	0.96 LBS
8	MT-377-24	3/8" X 24" GALV THREADED ROD	2	0.75 LBS
9	GWF-03	3/8" GALV FLAT WASHER	12	0.01 LBS
10	GWL-03	3/8" GALV LOCK WASHER	6	0.00 LBS
11	GN-03	3/8" GALV HEX NUT	6	0.04 LBS
12	GB-03205	3/8" X 2" GALV BOLT KIT	4	0.08 LBS
13	GB-03145	3/8" X 1-1/2" GALV BOLT KIT	10	0.07 LBS

REVISIONS				
REV.	ZONE	DESCRIPTION	BY	DATE
A		INITIAL RELEASE	OGG	05/17/10
B		UPDATE HARDWARE	MSM	09/19/12



NOTES:
 1. ALL METRIC DIMENSIONS ARE IN BRACKETS.
 2. VERIFY DISH SPACING/LOCATION BEFORE ASSEMBLY.

These drawings and specifications are the proprietary property of ANDREW CORPORATION and may be used only for the specific purpose authorized in writing by Andrew Corporation. ALL DIMENSIONS ARE IN INCHES U.O.S. TOLERANCES UNLESS OTHERWISE SPECIFIED: .X = ± .12 ANGLES ±2° .XX = ± .06 FRACTIONS ±1/32 .XXX = ± .03 REMOVE BURRS AND BREAK EDGES .005 DO NOT SCALE THIS PRINT	DRAWN BY: OGG	SHEET: 1 of 1	PART NUMBER: MD-IS4
	CHECKED BY: TP	SCALE: NTS	DESCRIPTION: 4' Microwave Dish Transmission Line Ice Shield
	DATE: 05/17/10	MATERIAL: A36, A568	DRAWING TYPE: ASSEMBLY DRAWING
	REVISION: B	FINISH: GALV A123	WEIGHT: 60.46 LBS