

NG4access ODF Platform Value-Added Module (VAM) All Front Access

Installing a Single Height VAM

Install the module from the rear of the universal chassis (“left” module on left side, “right” module on right side). Use the following procedure, referring to the illustration below.

1. Pull out the access tray handle.
2. Snap the module down in locations 1, 2, and 3, as shown in Figure 1, then squeeze the module and access tray crossbar at location 4 and 5, as shown, until the module snaps in.
3. Slide in the access tray handle to close the access tray.
4. Connect cables to the module front ports and route the cables on the front of the frame per instructions on laminated cards hanging on front of the frame (TECP-90-705).

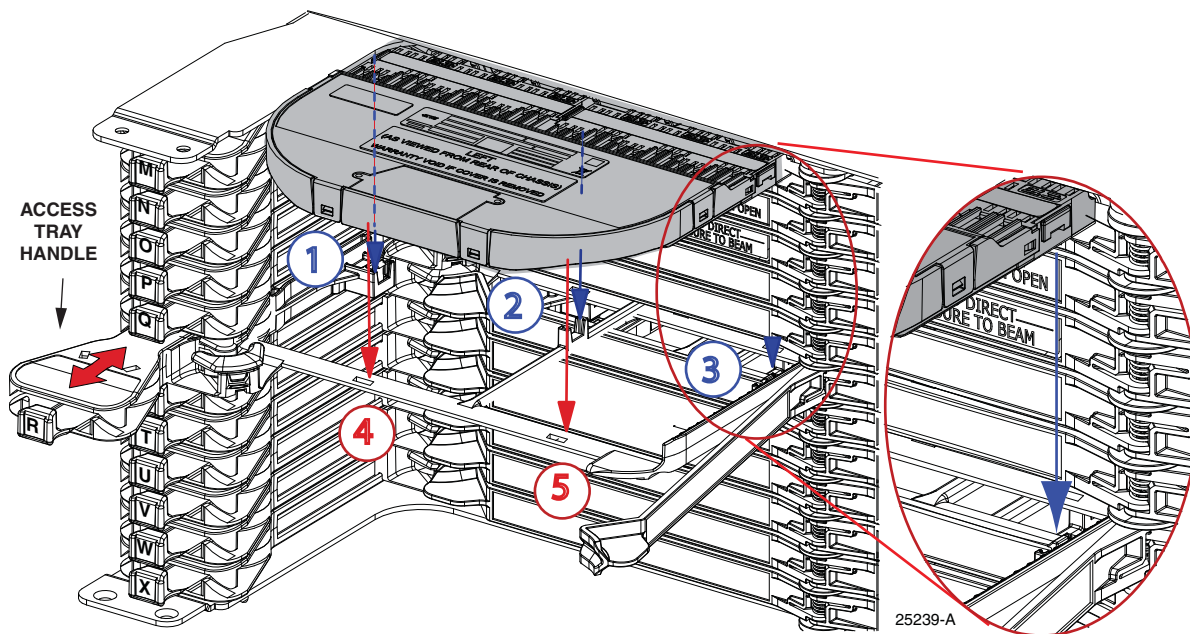


Figure 1. Installing a Single Height VAM

Installing a Double or Triple Height VAM

Install the module from the rear of the universal chassis (“left” module on left side, “right” module on right side). Use the following procedure, referring to the illustration below.

1. Identify the two or three trays where the double or triple high VAM is to be installed.
2. Remove the top one or two trays (see instruction video: <http://bcove.me/7ifdnlaz>).

3. Install clips between access tray doors referring to Figure 2.

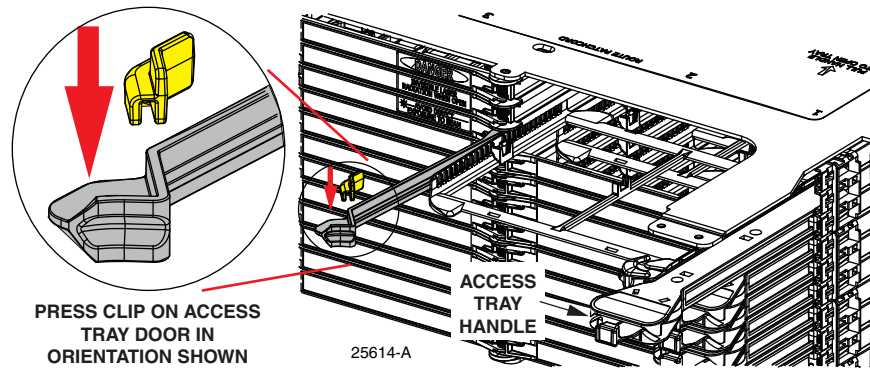


Figure 2. Installing a Clip on an Access Tray Door

4. Snap the module down in locations 1, 2, and 3, as shown in Figure 3, then squeeze the module and access tray crossbar at location 4 and 5, as shown, until the module snaps in.
5. Slide in the access tray handle to close the access tray.
6. Connect cables to the module front ports and route the cables on the front of the frame per instructions on laminated cards hanging on front of the frame (TECP-90-705).

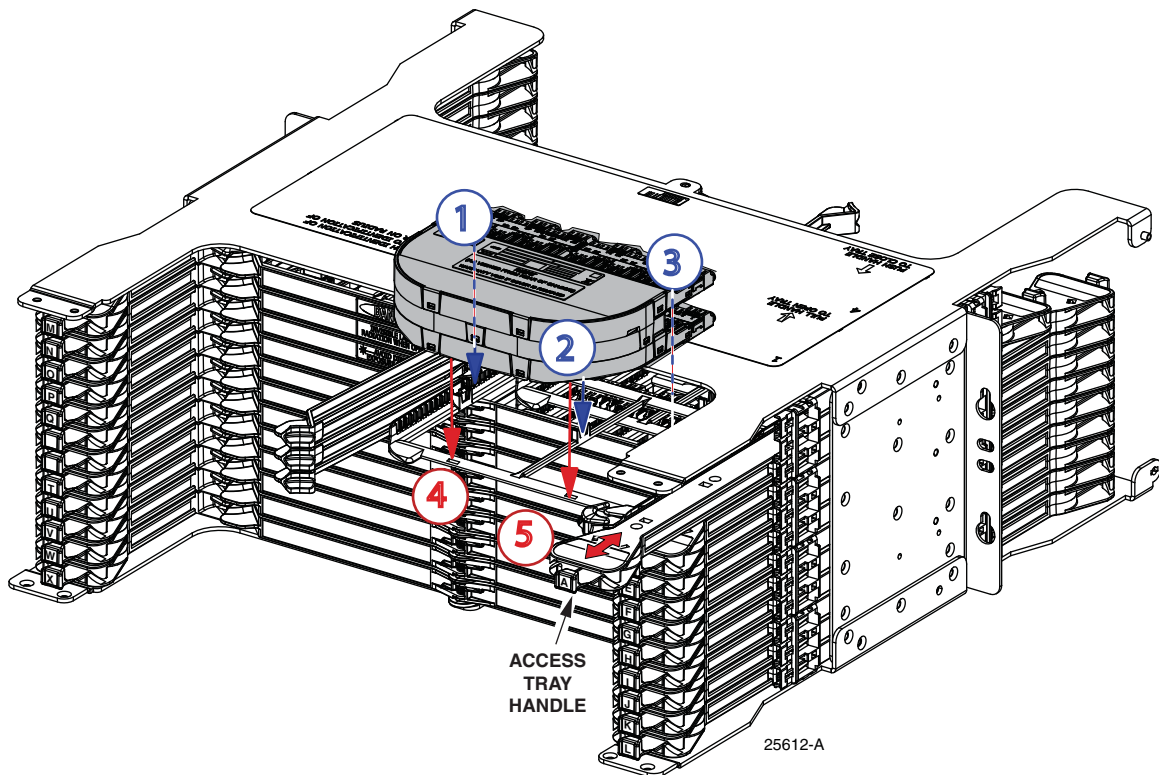


Figure 3. Installing a Double or Triple Height VAM