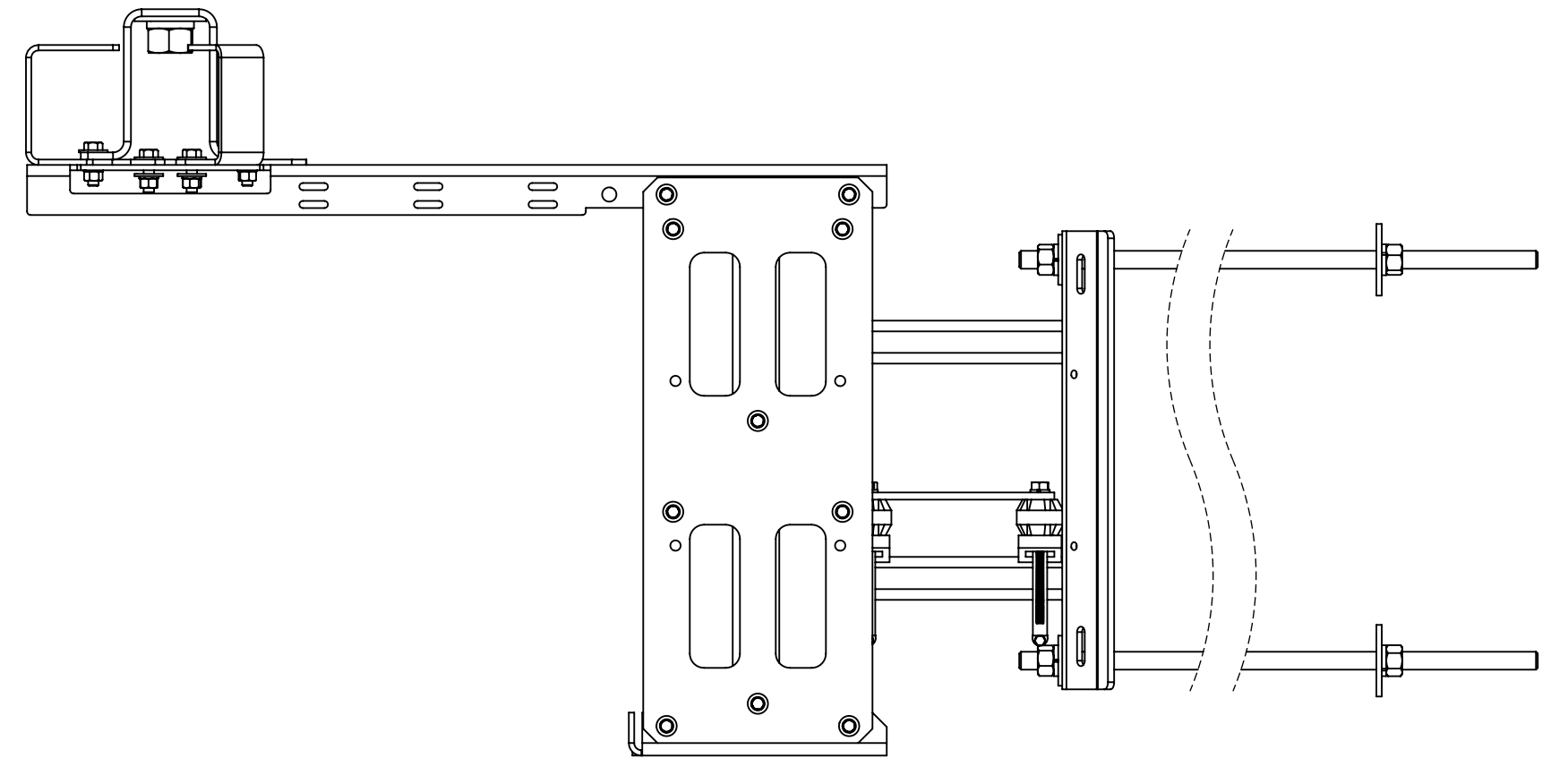
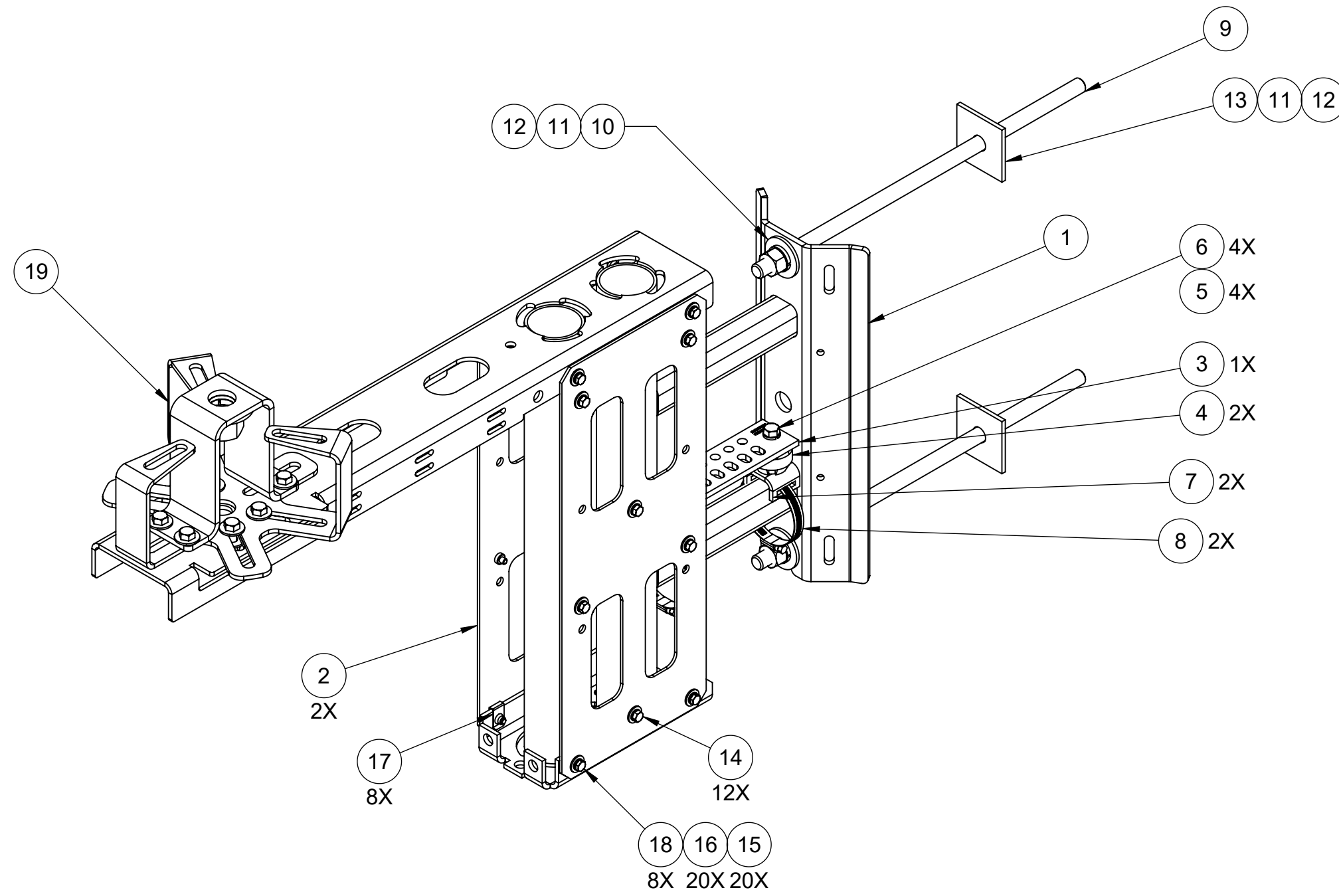


NOTES:

- 1. ALL METRIC DIMENSIONS ARE IN BRACKETS
- 2. FEATURES CRITICAL TO QUALITY ARE INDICATED IN AN OVAL

REVISIONS				
REV.	ECN	DESCRIPTION	BY	DATE
A	8000028734	INITIAL RELEASE	HN	04/23/18
B	8000030935	UPDATE BOM	MSM	07/30/18



ITEM NO.	PART NUMBER	DESCRIPTION	QTY.	WEIGHT	NOTE NO.
1	MTM101801-XX	WELDMENT, RRU & ANTENNA COMBO MOUNT	1	33.50 LBS	
2	MTC388824	ERC2203 MOUNTING BRACKET ASSEMBLY	2	1.52 LBS	
3	MTC388804	6 POSITION GROUND BAR 2" X 7", COPPER	1	0.94 LBS	
4	MT520	INSULATOR W/ 3/8" INSERT	2	0.21 LBS	
5	SWL-03	3/8" SS LOCK WASHER	4	0.01 LBS	
6	SB0305	3/8" X 3/4" SS BOLT	4	0.04 LBS	
7	MTC388818	GROUND BAR STRAP BRACKET	2	0.20 LBS	
8	31670-2S	ROUND MEMBER ADAPTER, 50-75mm, 1EA	2	0.07 LBS	
9	MT-382-18	5/8" X 18" GALV THREADED ROD	2	1.55 LBS	
10	GW-05	5/8" GALV FLAT WASHER	2	0.06 LBS	
11	GWL-05	5/8" GALV LOCK WASHER	4	0.03 LBS	
12	GN-05	5/8" GALV HEX NUT	4	0.08 LBS	
13	SW-58	BACKING PLATE, .188 X 2.5" X 2.5" W/ 11/16"HOLE	2	0.31 LBS	
14	100534-212	SCR,HCS,HEX,M6X16,SST,PASS	12	5.5870	
15	100522-90	WSHR,LK,SPLT, M6,SST, PASS	20	1.02	
16	100525-71	WSHR,FLAT,M6.6.4X18X1.6,SST,PASS	20	2.77 LBS	
17	460143456	CLIP NUT, 316 SST ALLOY	8	0.01 LBS	
18	MTC9414	BOLT, HEX HEAD M6 X20MM STAINLESSSTEEL	8	0.0162 LBS	
19	MTM1018AHK	MC, POLE BRKT, ANTENNA MOUNT KIT	1	7.454	

DENSITY	201.757	lbs/in <sup>3</sup>
MASS	0.251	lbs
VOLUME	2628.192	in <sup>3</sup>
SURFACE AREA	2628.192	in <sup>2</sup>
HEIGHT		
LENGTH		
WIDTH		

**COMMSCOPE, INC. OF NORTH CAROLINA**

TOLERANCES		SAP MATERIAL MASTER						
0 PLACE X ± .25	2 PLACE .XX ± .06	<b>SSC-760239211NS</b>						
1 PLACE .X ± .12	ANGLES ± 2°							
FINISH SEE NOTE		MATERIAL STOCK LIST						
UNLESS OTHERWISE SPECIFIED DIMENSIONS ARE IN INCHES INTERPRET PER ANSI Y 14.5M-1994	NAME	DATE	TITLE					
	CE HN	4/23/18	<b>METROCELL, POLE BRKT KIT, 4X ERC LP W ANT</b>					
	RW SF1043	12/03/2019						
	RV							
	AD GRT1010	12/03/2019						
RE TP	04/23/18							
ECN 8000028734	SCALE <b>1:5</b>	DOCUMENT NO. <b>SSC-760239211NS</b>						
SIZE WORK AREA	MODEL		DRAWING					
<b>C</b>		VERSION	STATUS	REVISION	VERSION	STATUS	REVISION	SHEET
				A			B	1 OF 1