



# Structural Support Products

## Product Selection Guide

January 2023

COMMSCOPE®

## Contents

<b>Resources</b> .....	<b>4</b>
CommScope distribution.....	5
Corporate and steel product locations.....	6
<b>Part Number Nomenclature</b> .....	<b>7</b>
G2 series tower sector frame.....	7
G2 series monopole sector frame.....	8
Monopole Platforms.....	9
<b>Monopole Applications</b> .....	<b>10</b>
Atlas Monopole Platform.....	11
MCG23RHDX Monopole Applications.....	12
MCG23HDX Monopole Applications.....	13
MCG22HD Monopole Frame Applications.....	14
MC-HP 3-Sector High Capacity Monopole Platform.....	15
MC-CP 3-Sector Medium Capacity Monopole Platform.....	16
MC-PK 3-Sector Low Profile Monopole Platform.....	17
Double T-Arms Kits.....	18
4 and 6-Sector Monopole Platforms Kits.....	19
<b>Tower Applications</b> .....	<b>20</b>
SFG23RHDX Tower Applications.....	21
SFG23HDX Tower Applications.....	22
SFG22HD & SFG22HDX Tower Applications.....	23
SFG21HD Tower Applications.....	24
<b>Reinforcement Kits and MODs</b> .....	<b>25</b>
Safety Climb Cable Guides.....	26
Tower Reinforcement Kits.....	27
Monopole Load Distribution Reinforcement Kits.....	28
VZWSmart Monopole.....	29
VZWSmart Tower.....	30
VZWSmart Hardware Kits.....	31
<b>Roof Top Applications</b> .....	<b>32</b>
Single and Dual Penetrating Rooftop Frame.....	33
Single and Dual Ballasted Rooftop Frame.....	34
Medium Capacity Roof Frames.....	35
Universal Tripod Mounts.....	36
Wall Mounting Components.....	37
Microwave Mounting Components.....	38
<b>Equipment Platforms</b> .....	<b>39</b>
Equipment Platforms.....	40
Ice Canopy.....	42
Equipment Platform Legs.....	43
Power Telco Racks.....	44
Handrail & Step Kits.....	45
<b>Radio Mounts</b> .....	<b>46</b>
RRU Mounts.....	47
PAM Universal Pipe-to-Angle Mount Kits.....	48
Stand-off Arm Mounts.....	49
Tower Mounts.....	50
Monopole Mounts.....	51
Ground Level Mounts.....	52
Outdoor RRU Mount Racks.....	53
RRU Mount Racks.....	53
<b>Cable Support Products</b> .....	<b>54</b>
Polymer PIM-guard Cable Support Brackets.....	55
PIM-guard Cable Support Brackets.....	56
Antenna RRU Cable Support Brackets.....	57
Cable Ladder Kits.....	58
Waveguide Bridge Components.....	59
Trapeze Kits and Z-Brackets.....	60
<b>Small Cell</b> .....	<b>61</b>
Small Cell Mounts.....	62
Wood Pole Mounts.....	63
<b>Pipes and Pole Mounts</b> .....	<b>64</b>
Pipe Mounts Kits.....	65
Crossover Plates.....	66
Pipe-to-Pipe Clamps.....	68
Pipes.....	69
U-bolts and Hardware.....	70



## Structural Support Solutions

CommScope provides Structural Support Solutions that deliver stability, durability, and precision for the most important networks in the world. Our premium Structural Support Solutions reinforce your structure and optimize antenna performance. As a result, these solutions help you realize significant, long-term OpEx savings.

Our support systems are suited to be used on virtually any kind of tower, monopole, roof top structure or water tower. Each solution is engineered to meet or exceed the latest EIA/TIA code requirements and conform to both ISO-9001 standards and AISC specifications. This proven excellence enables network operators to:

- Minimize or eliminate antenna misalignment
- Utilize available spectrum more efficiently
- Improve RF path integrity and overall network performance
- Increase throughput and quality of service
- Mitigate customer churn and total cost of ownership

Because our components are engineered and manufactured to the highest standards and most exact specifications, you can rest assured they've been designed to fit snugly on your tower and fabricated to withstand the harshest elements. Whether you need additional U-bolts for your mount, or struts and brackets for your microwave, pipe or stand-off mounts, we deliver the most durable mounting components to keep your antenna properly aligned.





# Resources

[Where to buy](#)

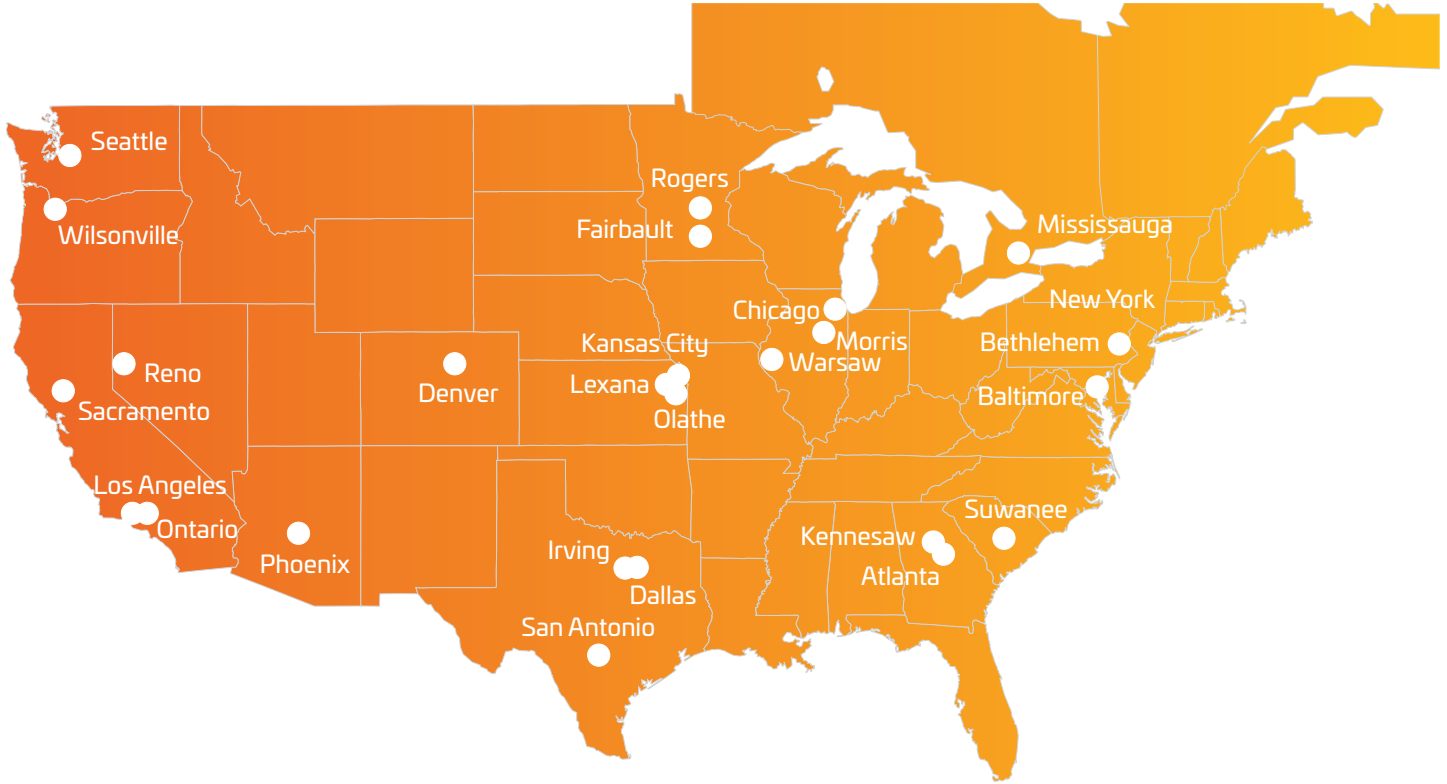
[Key CommScope locations](#)

[CommScope North American locations](#)

[Product nomenclature](#)

# CommScope distribution

Where now meets next



The products presented in this ordering guide are available from our nationwide distributors.



**TALLEY**®

**T** tessco

**PRIMUS**

**KGPCo.**

**ALLIANCE™  
CORPORATION**

THE POWER OF BEING CONNECTED.

# Corporate and steel product locations

## Corporate Headquarters

1100 CommScope Place SE,  
Hickory, NC 28602  
(828) 324-2200

## Steel Product Manufacturing

11312 S Pipeline Rd,  
Euless, TX 76040  
(817) 540-9450



## CommScope North American locations



Contact us directly with product support questions via email:  
[steelproducts@commscope.com](mailto:steelproducts@commscope.com)



# Part number nomenclature

## G2 series tower sector frame

**SF** **GY** **HD** **X** - **12** - **Y** - **ZZ**

SF = Tower Sector Frame

### G2 Series Family

G21	G21 Series Light Capacity
G22	G22 Series Medium Capacity
G23	G23 Series High Capacity

### Face Pipe Diameter

Blank	Standard Face Pipes 2-3/8" OD
HD	Heavy Duty Face Pipes 2-7/8" OD
RHD	Heavy Duty Face Pipes plus Extended Spine for RRU Mounting 2-7/8" OD

### Face Pipe Width

10	10 feet
12	12 feet
14	14 feet

### Antenna Pipe Diameter

Blank	Standard Antenna Pipes 2-3/8" OD
X	Heavy Duty Antenna Pipes 2-7/8" OD

### Antenna Pipe Length

96	96 inches
120	120 inches
126	126 inches

### Number of Antenna Pipes

B	No Antenna Pipes Incl
3	3 Antenna Pipes
4	4 Antenna Pipes
5	5 Antenna Pipes

# Part number nomenclature

## G2 series monopole sector frame



MC = Monopole Sector Frame

### G2 Series Family

G21	G21 Series Light Capacity
G22	G22 Series Medium Capacity
G23	G23 Series High Capacity

### Face Pipe Diameter

Blank	Standard Face Pipes 2-3/8" OD
HD	Heavy Duty Face Pipes 2-7/8" OD
RHD	Heavy Duty Face Pipes plus Extended Spine for RRU Mounting 2-7/8" OD

### Face Pipe Width

10	10 feet
12	12 feet
14	14 feet
M	Ring Mount for 15" to 50" Monopoles

### Antenna Pipe Diameter

Blank	Standard Antenna Pipes 2-3/8" OD
X	Heavy Duty Antenna Pipes 2-7/8" OD

### Antenna Pipe Length

96	96 inches
120	120 inches
126	126 inches

(Note: Some configs omit dashes)

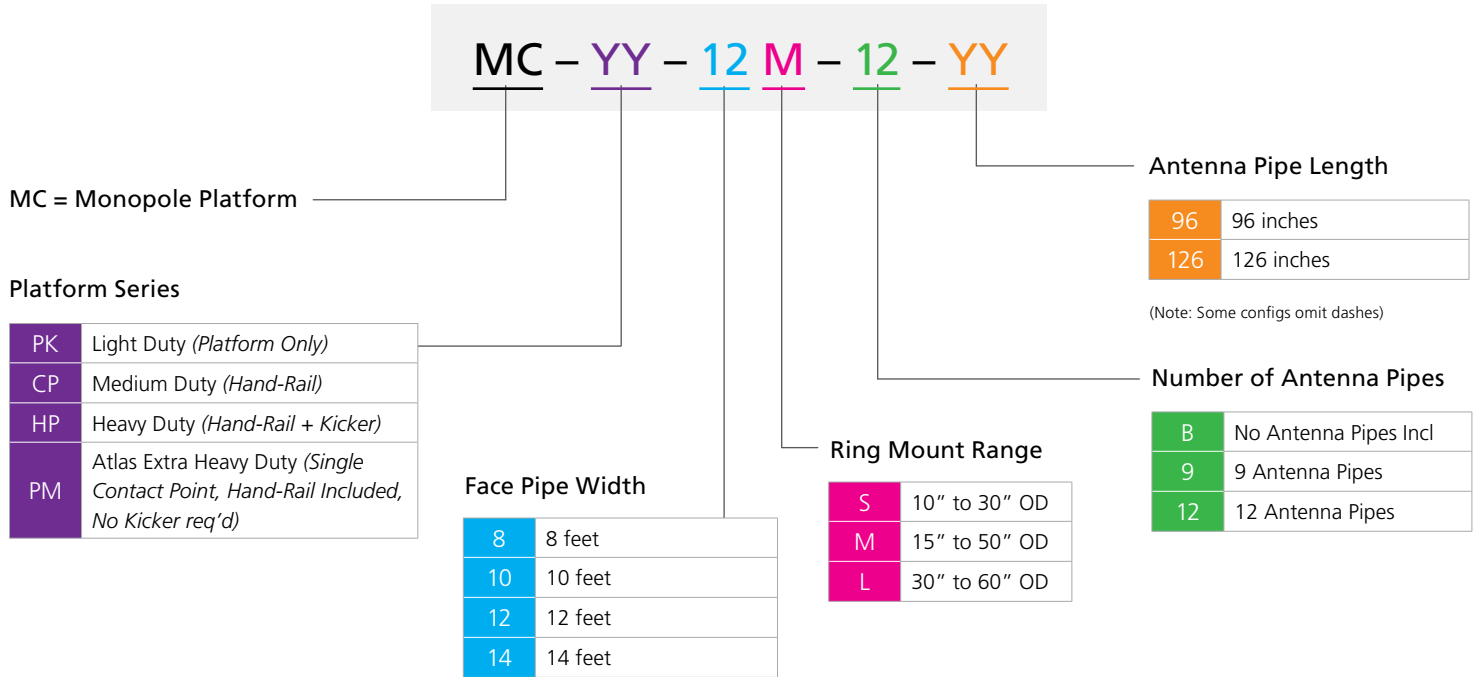
### Number of Antenna Pipes

B	No Antenna Pipes Incl
9	9 Antenna Pipes
12	12 Antenna Pipes
15	15 Antenna Pipes



# Part number nomenclature

## Monopole platforms





# Monopole Platforms

Atlas Monopole Platform  
MCG23RHDX Monopole Applications  
MCG23HDX Monopole Applications  
MCG22HD Monopole Frame Applications  
MC-HP 3-Sector High Capacity Monopole Platform  
MC-CP 3-Sector Medium Capacity Monopole Platform  
MC-PK 3-Sector Low Profile Monopole Platform  
Double T-Arms Kits  
4 and 6-Sector Monopole Platforms Kits

# Atlas Monopole Platform

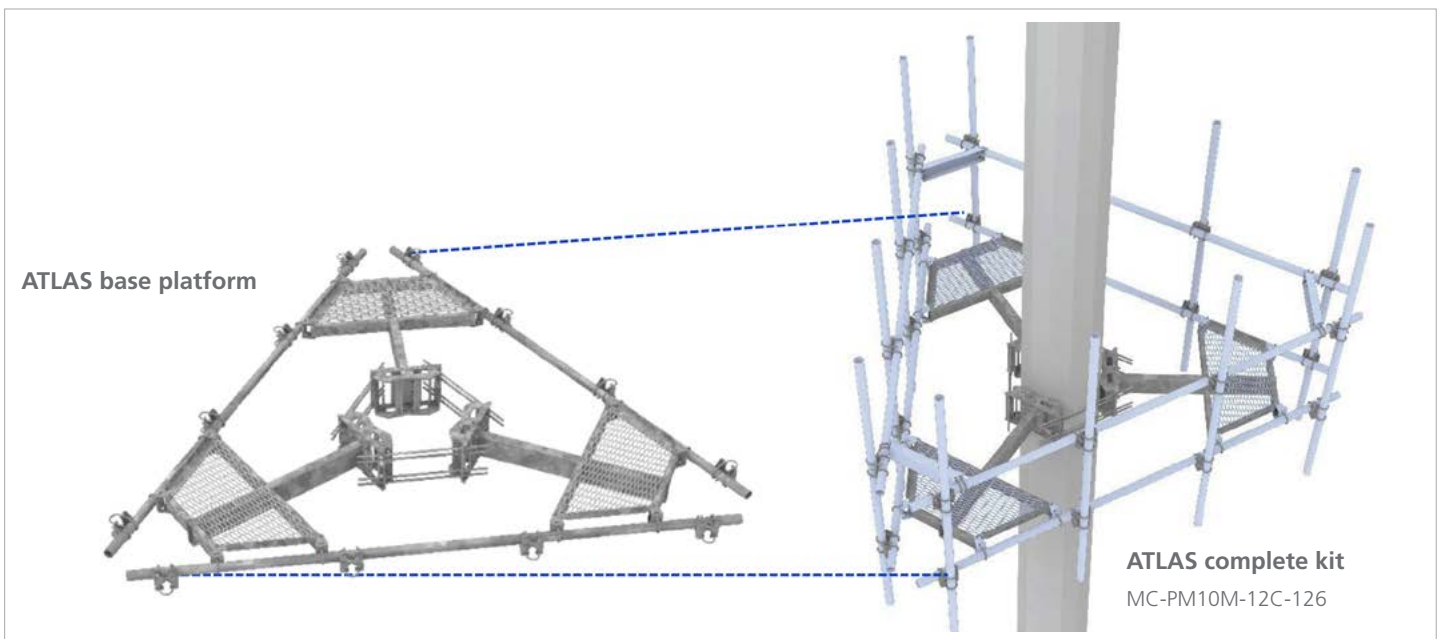
## Ordering information

### Atlas: strong enough to carry you into the future

CommScope’s innovative Atlas Monopole Platform solution provides the high-load capacity and performance that simplifies analysis, construction and installation, and ensures your tri-sector monopole deployment meets the latest TIA standards.

The design uses high-strength rectangular standoff tubes to create a heavy-duty standoff system. The simple design enables the use of commercially available software such as RISA-3D for fast and simple analysis.

Another feature of the mounting structure is the uniquely designed pivot brackets that replace the traditional clip angles. Typically, the old clip angles are made from bent steel plates whose structural integrity can be compromised by lateral wind loads. The new pivot brackets feature a thicker dual flange that compensates for the stress at the weak axis.



Description	Face width	Pipes included	Part number	Mount rating
<b>Atlas Ultra Heavy Loading (available on 12"-45" dia mounting)—Meets TIA 5053 standard</b>				
Platform with Handrail and Antenna Pipes	10' face width	(12) 2-7/8" OD X 126" Antenna Pipe	<a href="#">MC-PM10M-12C-126</a>	M2150R(1550)-4[6]
		(12) 2-7/8" OD X 96" Antenna Pipe	<a href="#">MC-PM10M-12C-96</a>	M2150R(1550)-4[6]
	12' face width	(12) 2-7/8" OD X 126" Antenna Pipe	<a href="#">MC-PM12M-12C-126</a>	M2200R(1700)-4[6]
		(12) 2-7/8" OD X 96" Antenna Pipe	<a href="#">MC-PM12M-12C-96</a>	M2200R(1700)-4[6]
	14' face width	(12) 2-7/8" OD X 126" Antenna Pipe	<a href="#">MC-PM14M-12C-126</a>	M2150R(1700)-4[6]
		(12) 2-7/8" OD X 96" Antenna Pipe	<a href="#">MC-PM14M-12C-96</a>	M2150R(1700)-4[6]

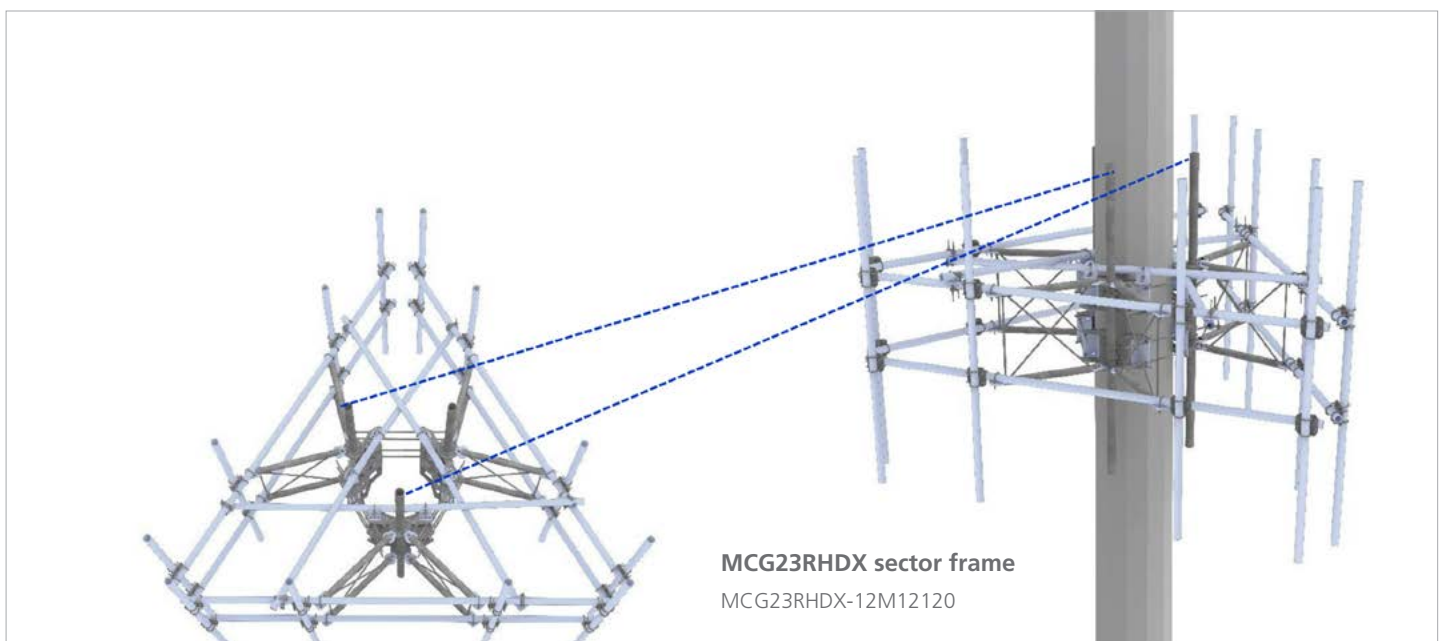


# MCG23RHDX Monopole Applications

## Ordering information

The Heavy Duty G23RHDX Series features an extended 10-foot spine design that provides radio mounting locations farther away from antennas—which not only reduces PIM by distancing radios from the antenna near field but also increases mount stability and reduces the potential for vibration-induced PIM.

- Decreased PIM from radio relocation
- Increased versatility and stability
- Better load management
- Decreased antenna pipe loading
- Use with the RR-APEX4 RRU mount for up to 4 radios.



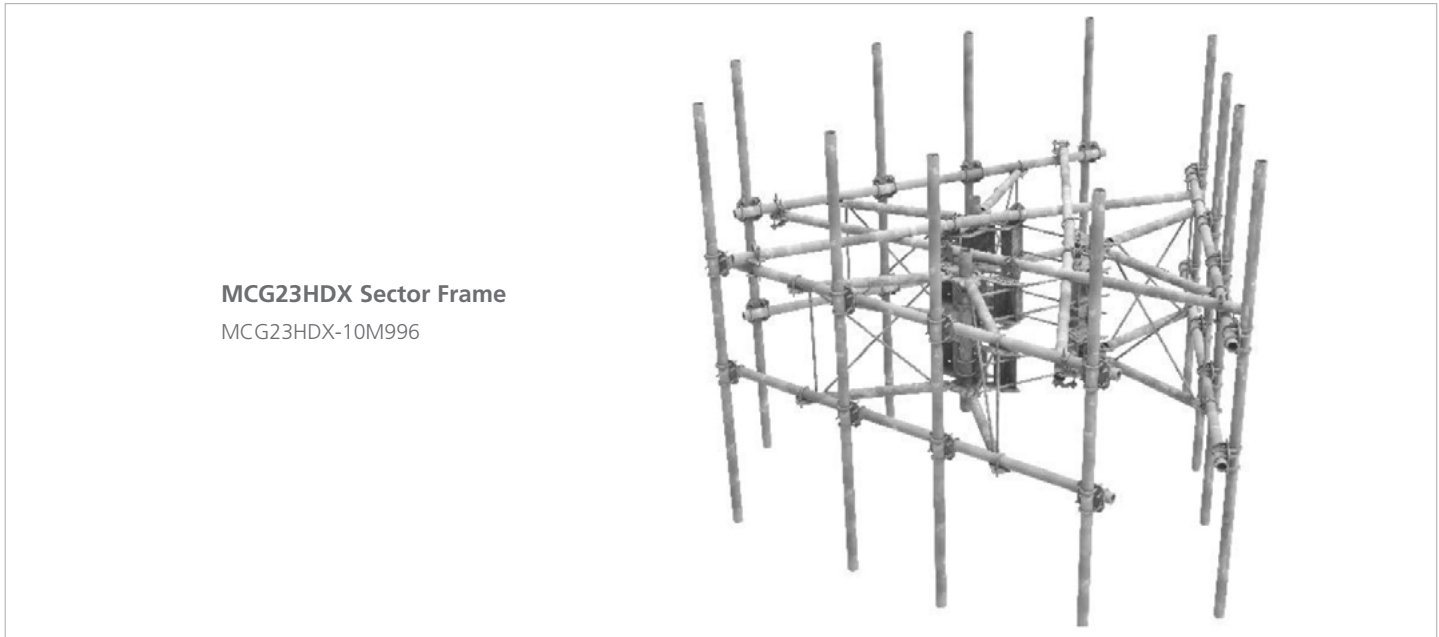
Description	Face width	Pipes included	Part number	Mount rating
<b>MCG23RHDX Spine Series (RRU Relocation Heavy Duty Xtreme High Capacity Sector Frame) —Meets TIA 5053 standard</b>				
RRU Relocation Heavy Duty Xtreme Heavy Capacity Sector Frame	10' face width	(9) 2-7/8" OD X 120" Antenna Pipe	<a href="#">MCG23RHDX-10M9120</a>	M3950R(4400)-3[6]
		(9) 2-7/8" OD X 96" Antenna Pipe	<a href="#">MCG23RHDX-10M996</a>	M3950R(4400)-3[6]
	12' face width	(12) 2-7/8" OD X 120" Antenna Pipe	<a href="#">MCG23RHDX-12M12120</a>	M2600R(3200)-4[6]
		(12) 2-7/8" OD X 96" Antenna Pipe	<a href="#">MCG23RHDX-12M1296</a>	M2600R(3200)-4[6]
	14' face width	(12) 2-7/8" OD X 120" Antenna Pipe	<a href="#">MCG23RHDX-14M12120</a>	M2300R(3100)-4[6]
		(12) 2-7/8" OD X 96" Antenna Pipe	<a href="#">MCG23RHDX-14M1296</a>	M2300R(3100)-4[6]
		(15) 2-7/8" OD X 120" Antenna Pipe	<a href="#">MCG23RHDX-14M15120</a>	M2400R(2400)-5[6]
		(15) 2-7/8" OD X 96" Antenna Pipe	<a href="#">MCG23RHDX-14M1596</a>	M2400R(2400)-5[6]

# MCG23HDX Monopole Applications

## Ordering information

G23 Series Monopole & Tower Sector Frames feature our highest capacity sector frame option when heavy duty load conditions are required. Offerings include 10ft, 12ft, and 14ft face widths with up to 5 antenna pipes per sector and feature double tie-backs. The G23 Family includes:

- MCG23HDX: Monopole Sector Frames with 2-7/8" OD Face Pipes & Antenna Pipes
- SFG23HDX: Tower Sector Frames with 2-7/8" OD Face Pipes & Antenna Pipes



**MCG23HDX Sector Frame**  
MCG23HDX-10M996

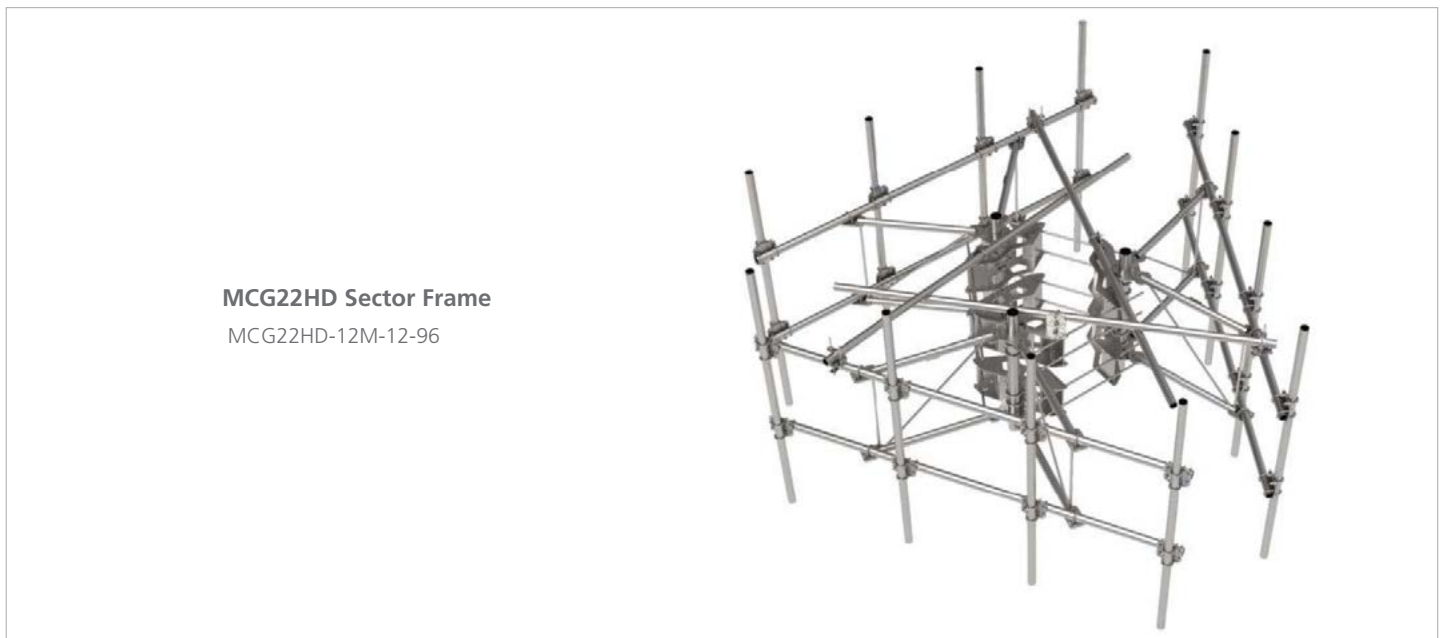
Description	Face width	Pipes included	Part number	Mount rating
<b>MCG23HDX Series (Heavy Duty Xtreme High Capacity Sector Frame)—Meets TIA 5053 standard</b>				
Heavy Duty Xtreme High Capacity Sector Frame	10' Face Width	(9) 2-7/8" OD X 96" Antenna Pipe	<a href="#">MCG23HDX-10M996</a>	M4000R(4500)-3[6]
		(9) 2-7/8" OD X 120" Antenna Pipe	<a href="#">MCG23HDX-10M9120</a>	M4000R(4500)-3[6]
		(12) 2-7/8" OD X 96" Antenna Pipe	<a href="#">MCG23HDX-10M1296</a>	M4000R(2600)-4[6]
		(12) 2-7/8" OD X 120" Antenna Pipe	<a href="#">MCG23HDX-10M12120</a>	M4000R(2600)-4[6]
	12' Face Width	(9) 2-7/8" OD X 96" Antenna Pipe	<a href="#">MCG23HDX-12M996</a>	M3200R(4000)-3[6]
		(9) 2-7/8" OD X 120" Antenna Pipe	<a href="#">MCG23HDX-12M9120</a>	M3200R(4000)-3[6]
		(12) 2-7/8" OD X 96" Antenna Pipe	<a href="#">MCG23HDX-12M1296</a>	M3100R(2600)-4[6]
		(12) 2-7/8" OD X 120" Antenna Pipe	<a href="#">MCG23HDX-12M12120</a>	M3100R(2600)-4[6]
	14' Face Width	(12) 2-7/8" OD X 96" Antenna Pipe	<a href="#">MCG23HDX-14M1296</a>	M2250R(2350)-4[6]
		(12) 2-7/8" OD X 120" Antenna Pipe	<a href="#">MCG23HDX-14M12120</a>	M2250R(2350)-4[6]
		(15) 2-7/8" OD X 96" Antenna Pipe	<a href="#">MCG23HDX-14M1596</a>	M2350R(2000)-5[6]
		(15) 2-7/8" OD X 120" Antenna Pipe	<a href="#">MCG23HDX-14M15120</a>	M2350R(2000)-5[6]

# MCG22HD Monopole Frame Applications

## Ordering information

G22 Series Monopole & Tower Sector Frames feature a medium duty sector frame option for a tailored solution when heavy duty load conditions are not required. Offerings include 10ft, 12ft, and 14ft face widths and feature double tie-backs. The G22 Family includes:

- SFG22HD: Tower Sector Frames with 2-7/8" OD Face Pipes & 2-3/8" OD Antenna Pipes
- MCG22HD: Monopole Sector Frames with 2-7/8" OD Face Pipes & 2-3/8" OD Antenna Pipes
- SFG22HDX: Tower Sector Frames with 2-7/8" OD Face Pipes & 2-7/8" OD Antenna Pipes
- MCG22HDX: Monopole Sector Frames with 2-7/8" OD Face Pipes & 2-7/8" OD Antenna Pipes



**MCG22HD Sector Frame**  
MCG22HD-12M-12-96

Description	Face width	Pipes included	Part number	Mount rating
<b>MCG22HD Series (Heavy Duty High Capacity 3-Sector Monopole Frame)—Meets TIA 5053 standard</b>				
Heavy Duty Capacity 3-Sector Monopole Frame	10' Face	(9) 2-3/8" OD X 126" Antenna Pipe	<a href="#">MCG22HD-10M-9-126</a>	M1400R(2300)-3[6]
	Width	(9) 2-3/8" OD X 96" Antenna Pipe	<a href="#">MCG22HD-10M-9-96</a>	M2450R(2400)-3[6]
	12' Face	(12) 2-3/8" OD X 126" Antenna Pipe	<a href="#">MCG22HD-12M-12-126</a>	M1350R(1800)-4[6]
	Width	(12) 2-3/8" OD X 96" Antenna Pipe	<a href="#">MCG22HD-12M-12-96</a>	M2150R(2000)-4[6]

Description	Face width	Pipes included	Part number	Mount rating
<b>MCG22HDX Series (Heavy Duty Xtreme Capacity Frame 3-Sector Monopole Frame)—Meets TIA 5053 standard</b>				
Heavy Duty Xtreme Capacity 3-Sector Monopole Frame	12' Face	(12) 2-7/8" OD X 96" Antenna Pipe	<a href="#">MCG22HDX-12M12-96</a>	M2150R(2000)-4[6]
	Width	(12) 2-7/8" OD X 126" Antenna Pipe	<a href="#">MCG22HDX-12M12-126</a>	M1350R(1800)-4[6]
	14' Face	(12) 2-7/8" OD X 96" Antenna Pipe	<a href="#">MCG22HDX-14M12-96</a>	M1550R(1600)-4[6]
	Width	(12) 2-7/8" OD X 126" Antenna Pipe	<a href="#">MCG22HDX-14M12-126</a>	M1250R(1350)-4[6]



# MC-HP 3-Sector High Capacity Monopole Platform

## Ordering information

The MC-HP Series High Capacity Monopole Platforms feature a ring mount for monopoles ranging from 12" to 50" along with a handrail and work platform for installers plus a kicker reinforcement kit for maximum loading. Offerings include 12ft, and 14ft face widths.

- Designed for 12" to 50" Monopoles
- Includes handrail, work platform, and kicker reinforcement kit
- Available as Base Kit or Full Kit with Antenna Pipes
- 3 Sector Solutions



**MC-HP Series High Capacity Co-Location Platform**  
Platform With Handrail and Kicker Kit

Description	Face width	Pipes included	Part number	Mount rating
<b>Multi-Sector Monopole Platform—Meets TIA 5053 standard</b>				
<b>3-Sector High Capacity Monopole Platform - Includes platform, handrail and kicker supports</b>				
Platform Base, 12 in to 50 in OD (Pipe Ordered Separately)	12' Face Width	None	<a href="#">MC-HP12M-B*</a>	M1800R(2800)-4[0]
Platform Kit with Handrail and Kicker, 12 in to 50 in OD		(12) 2-3/8" OD X 96" Antenna Pipe	<a href="#">MC-HP12M-12-96</a>	M1800R(2800)-4[0]
Platform Kit with Handrail and Kicker, 12 in to 50 in OD		(12) 2-3/8" OD X 126" Antenna Pipe	<a href="#">MC-HP12M-12-126</a>	M1800R(2800)-4[0]
Platform Base, 12 in to 50 in OD (Pipe Ordered Separately)	14' Face Width	None	<a href="#">MC-HP14M-B*</a>	M1800R(2500)-4[0]
Platform Kit with Handrail and Kicker, 12 in to 50 in OD		(12) 2-3/8" OD X 96" Antenna Pipe	<a href="#">MC-HP14M-12-96</a>	M1800R(2500)-4[0]
Platform Kit with Handrail and Kicker, 12 in to 50 in OD		(12) 2-3/8" OD X 126" Antenna Pipe	<a href="#">MC-HP14M-12-126</a>	M1800R(2500)-4[0]

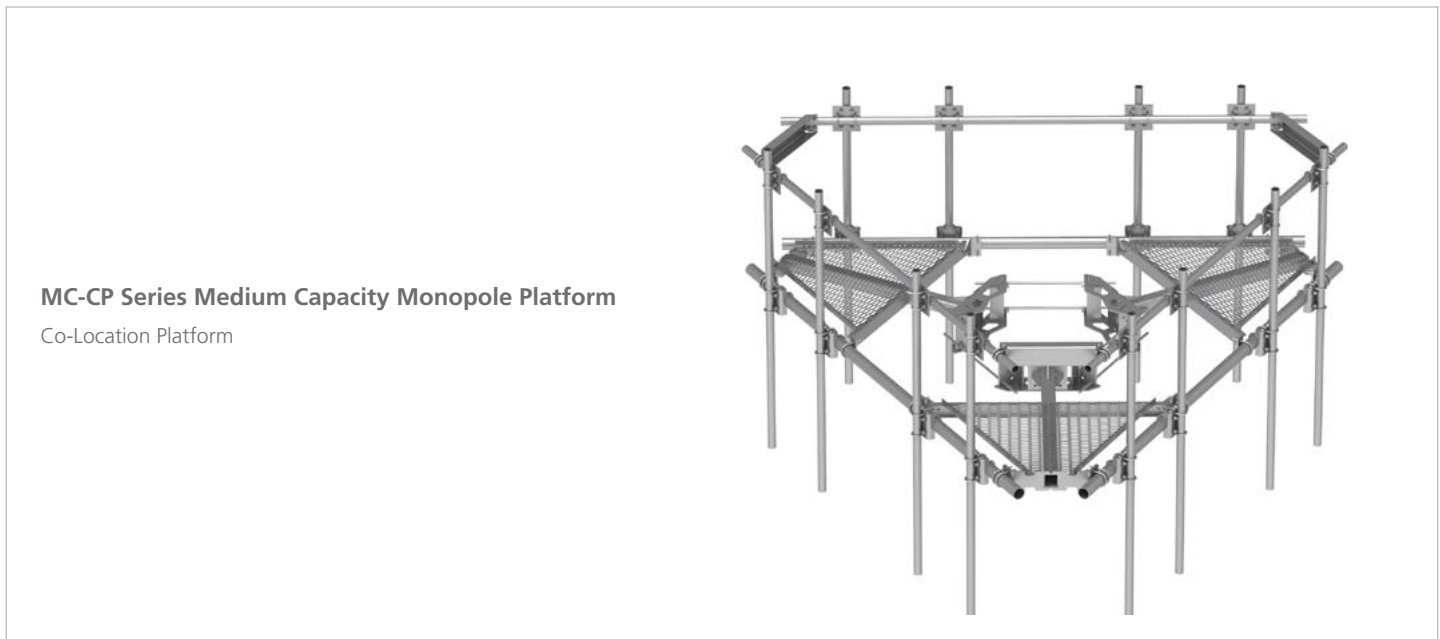
\*Crossover plates and antenna pipes purchased separately

# MC-CP 3-Sector Medium Capacity Monopole Platform

## Ordering information

The MC-CP Series Medium Capacity Monopole Platforms feature a ring mount for monopoles ranging from 12" to 50" along with a handrail and work platform for installers. Offerings include 12ft, and 14ft face widths. This Monopole Platform Series does not include a support kicker.

- Designed for 12" to 50" Monopoles
- Includes both handrail and work platform
- Available as Base Kit or Full Kit with Antenna Pipes
- 3 Sector Solutions



**MC-CP Series Medium Capacity Monopole Platform**  
Co-Location Platform

Description	Face width	Pipes included	Part number	Mount rating
<b>Multi-Sector Monopole Platform—Meets TIA 5053 standard</b>				
<b>3-Sector Medium Capacity Monopole Platform Includes: Platform and hand-rail</b>				
Platform Base with handrail, 12 in to 50 in OD (pipe ordered separately)	12' Face Width	None	MC-CP12M-B*	
Platform with handrail, 12 in to 50 in OD		(12) 2-3/8" OD X 96" Antenna Pipe	MC-CP12M-12-96	M1050R(1050)-4[0]
Platform with handrail, 12 in to 50 in OD		(12) 2-3/8" OD X 126" Antenna Pipe	MC-CP12M-12-126	M1050R(1050)-4[0]
Platform Base with handrail, 12 in to 50 in OD (pipe ordered separately)	14' Face Width	None	MC-CP14M-B*	
Platform with handrail, 12 in to 50 in OD		(12) 2-3/8" OD X 96" Antenna Pipe	MC-CP14M-12-96	
Platform with handrail, 12 in to 50 in OD		(12) 2-3/8" OD X 126" Antenna Pipe	MC-CP14M-12-126	

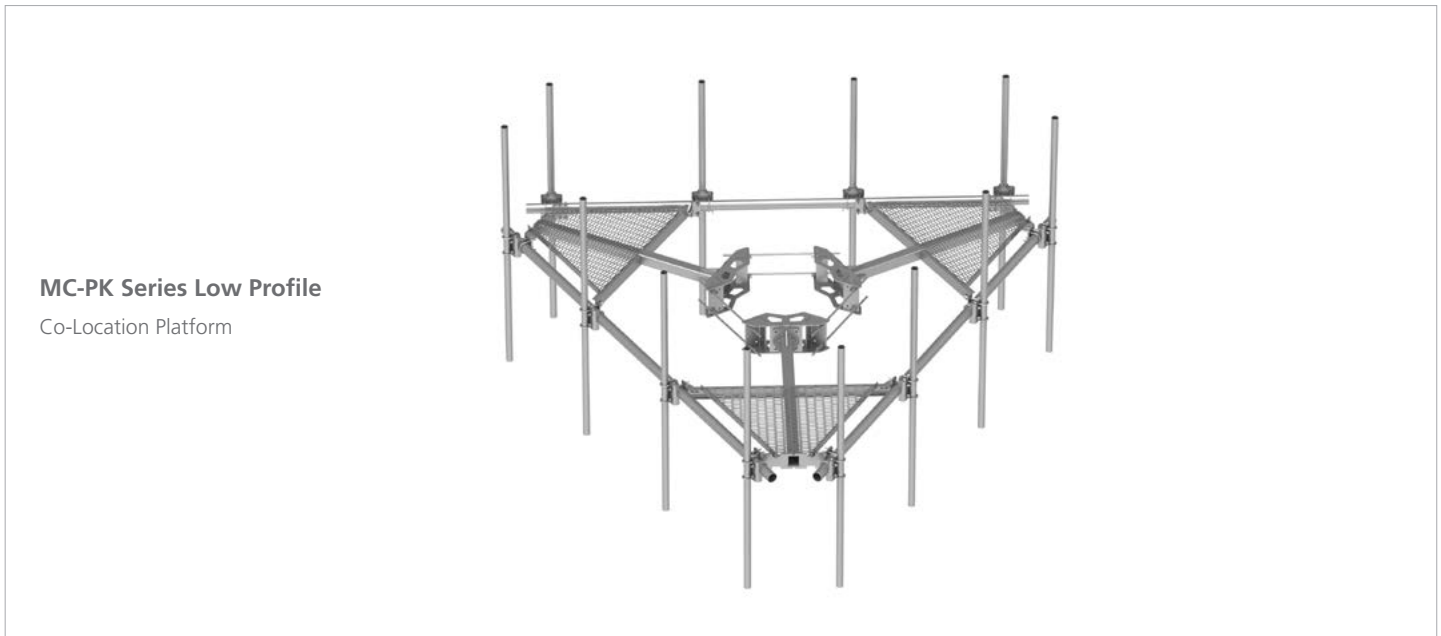
\*Crossover plates and antenna pipes purchased separately

# MC-PK 3-Sector Low Profile Monopole Platform

## Ordering information

The MC-PK Series Light Capacity Monopole Platforms feature a ring mount for monopoles ranging from 12" to 50" along with a work platform for installers. Offerings include 8ft, 10ft, 12ft, and 14ft face widths. This Monopole Platform Series does not include handrail or support kicker.

- Designed for 12" to 50" Monopoles
- Available as Base Kit or Full Kit with Antenna Pipes
- 3 Sector Solutions



**MC-PK Series Low Profile**  
Co-Location Platform

Description	Face width	Pipes included	Part number	Mount rating
<b>Multi-Sector Monopole Platform—Meets TIA 5053 standard</b>				
<b>3-Sector Low-Profile Monopole Platform ONLY - Handrail not included</b>				
Platform with handrail, 15 in to 38 in OD	8' Face Width	(9) 2-3/8" OD X 72" Antenna Pipe	<a href="#">MC-PK8-C</a>	M1000R(1100)-4[6]
Platform with handrail, 15 in to 50 in OD	10' Face Width	(12) 2-3/8" OD X 96" Antenna Pipe	<a href="#">MC-PK10-C</a>	M900R(1000)-4[6]
Platform Base Only, 12 in to 50 in OD (pipe ordered separately)	12' Face Width	None	<a href="#">MC-PK12M-B*</a>	
Platform, 12 in to 50 in OD		(12) 2-3/8" OD X 96" Antenna Pipe	<a href="#">MC-PK12M-12-96</a>	
Platform, 12 in to 50 in OD		(12) 2-3/8" OD X 126" Antenna Pipe	<a href="#">MC-PK12M-12-126</a>	
Platform Base Only, 12 in to 50 in OD (pipe ordered separately)	14' Face Width	None	<a href="#">MC-PK14M-B*</a>	
Platform, 12 in to 50 in OD		(12) 2-3/8" OD X 96" Antenna Pipe	<a href="#">MC-PK14M-12-96</a>	
Platform, 12 in to 50 in OD		(12) 2-3/8" OD X 126" Antenna Pipe	<a href="#">MC-PK14M-12-126</a>	

\*Crossover plates and antenna pipes purchased separately

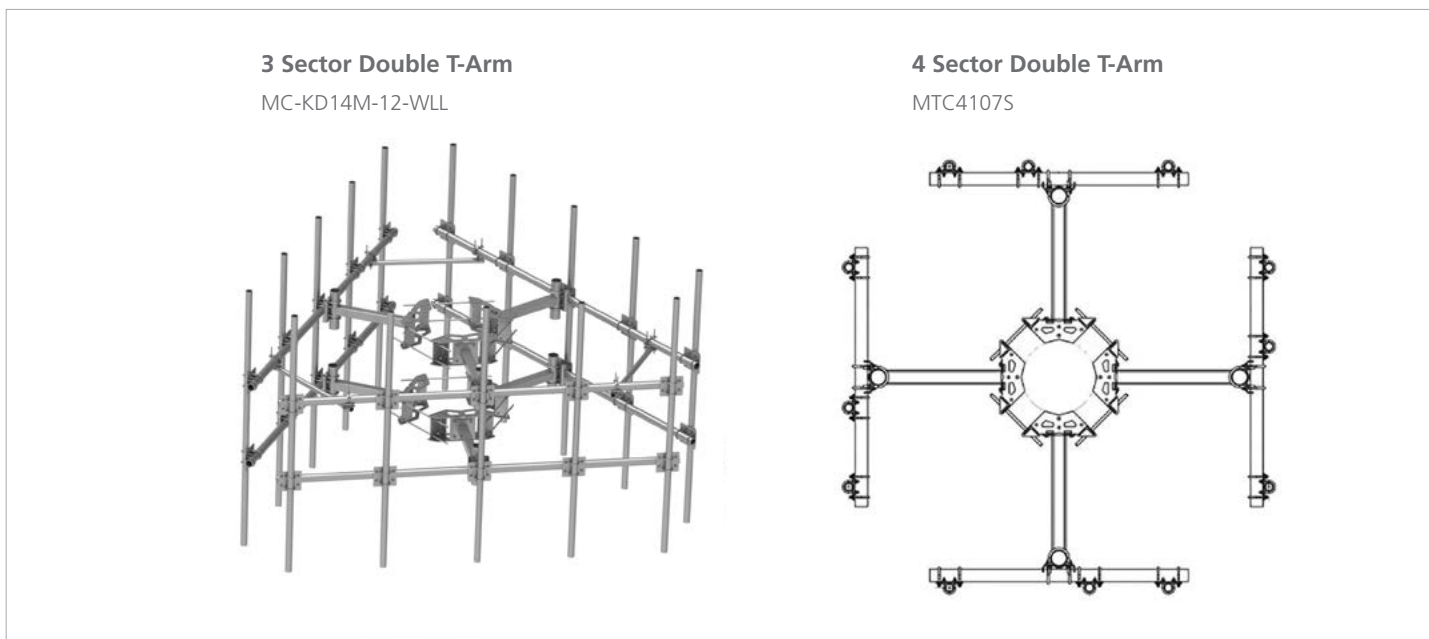


# Double T-Arms Kits

## Ordering information

Heavy-duty double T-Arm mounts are designed for monopole applications and are ideal for Monopine and other concealment applications.

- The MTC41075 offers a four-sector version with up to 10-foot vertical stand-off
- The MC-KD offers Three-sectors and features sturdy corner tie-backs for added stability



Description	Face width	Pipes included	Part number
<b>Double T-Arm Kits—Meets TIA 5053 standard</b>			
4-Sector, azimuth adjustable faces for more compatibility	6' Face Width	(12) 2-3/8" OD x 96" Antenna Pipe	MTC41075
3-Sector, Heavy duty with corner tie-backs, Includes (2) 12"-50" OD ringmounts	14' Face	(12) 2-7/8" OD x 120" Antenna Pipe	<a href="#">MC-KD14M-12-H10</a>
3-Sector, Heavy duty with corner tie-backs, Includes (2) 15"-50" OD ringmounts	Width	(15) 2-7/8" OD x 120" Antenna Pipe	<a href="#">MC-KD14M-15-WLL</a>

# 4 and 6-Sector Monopole Platforms Kits

## Ordering information

**4-Sector Platform Kit Medium Capacity**  
MC-PK12L4-B



Description	Face width	Pipes included	Part number
<b>4-Sector Monopole Platform</b>			
Base Platform Kit Only, 10 in to 30 in OD	12' Face Width	None	<a href="#">MC-PK12S4-B</a>
Base Platform Kit Only, 30 in to 60 in OD		None	<a href="#">MC-PK12L4-B</a>
Base Platform Kit Only, 10 in to 30 in OD	14' Face Width	None	<a href="#">MC-PK14S4-B</a>
Base Platform Kit Only, 30 in to 60 in OD		None	<a href="#">MC-PK14L4-B</a>
<b>4-Sector Handrail Kits</b>	12' Face Width	None	<a href="#">MC-TR4-12</a>
	14' Face Width	None	<a href="#">MC-TR-414</a>

**6-Sector Platform Kit High Capacity**  
MTC3984



Description	Face width	Pipes included	Part number
<b>6-Sector Monopole Platform</b>			
Base Platform with Kicker Kit, 12 in to 50 in OD	(3) 6' Face Width	(18) 2 3/8" OD x 96" Antenna Pipe	<a href="#">MTC3984</a>
	(3) 8' Face Width		



# Tower Applications

SFG23RHDX Tower Applications

SFG23HDX Tower Applications

SFG22HD & SFG22HDX Tower Applications

SFG21HD Tower Applications



# SFG23RHDX Tower Applications

## Ordering information

The Heavy Duty G23RHDX Series features an extended 10-foot spine design that provides radio mounting locations farther away from antennas—which not only reduces PIM by distancing radios from the antenna near field but also increases mount stability and reduces the potential for vibration-induced PIM.

- Decreased PIM from radio relocation
- Increased versatility and stability
- Better load management
- Decreased antenna pipe loading
- Use with the RR-APEX4 RRU mount for up to 4 radios



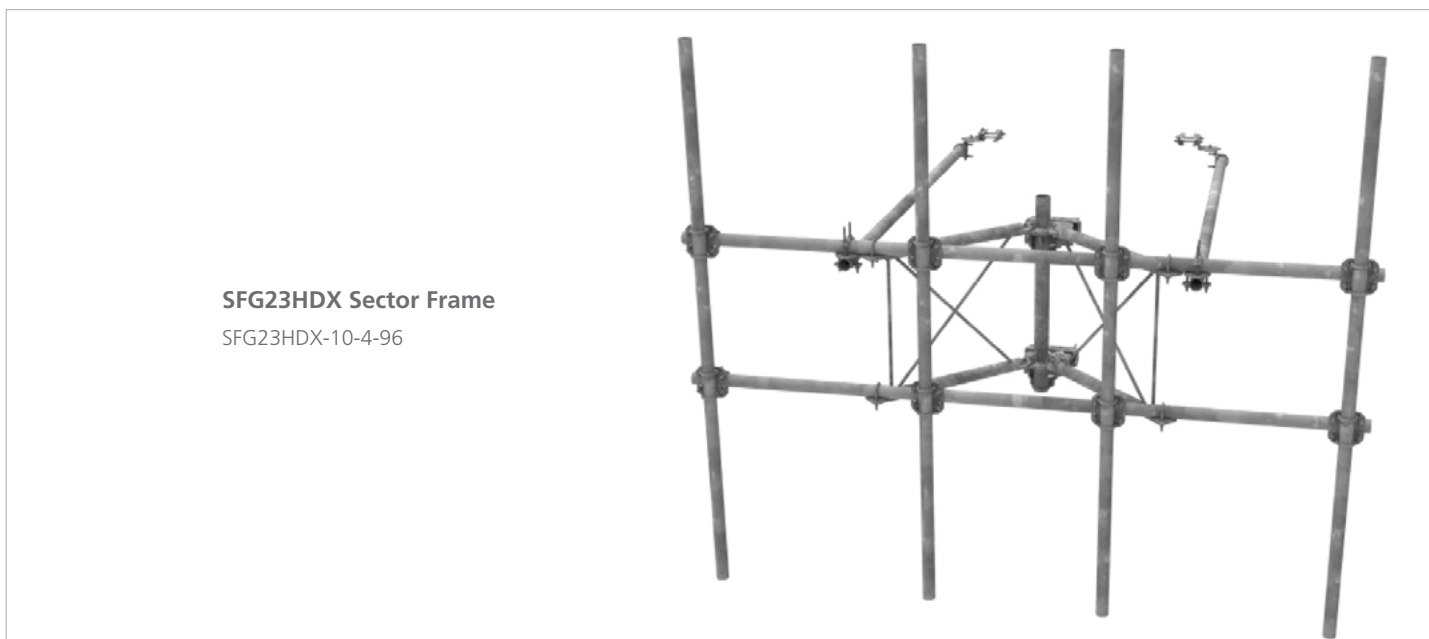
Description	Face width	Pipes included	Part number	Mount rating
<b>SFG23RHDX Spine Series (RRU Relocation Heavy Duty Xtreme High Capacity Sector Frame) —Meets TIA 5053 standard</b>				
RRU Relocation Heavy Duty Xtreme Heavy Capacity Sector Frame	10' face width	(3) 2-7/8" OD X 120" Antenna Pipe	<a href="#">SFG23RHDX-10-3-120</a>	M4000R(4500)-3[6]
		(4) 2-7/8" OD X 120" Antenna Pipe	<a href="#">SFG23RHDX-10-4-120</a>	M4000R(2600)-4[6]
	12' face width	(4) 2-7/8" OD X 120" Antenna Pipe	<a href="#">SFG23RHDX-12-4-120</a>	M3100R(2600)-4[6]
		(5) 2-7/8" OD X 120" Antenna Pipe	<a href="#">SFG23RHDX-12-5-120</a>	
	14' face width	(4) 2-7/8" OD X 120" Antenna Pipe	<a href="#">SFG23RHDX-14-4-120</a>	M2250R(2350)-4[6]
(5) 2-7/8" OD X 120" Antenna Pipe		<a href="#">SFG23RHDX-14-5-120</a>		

# SFG23HDX Tower Applications

## Ordering information

G23 Series Monopole & Tower Sector Frames feature our highest capacity sector frame option when heavy duty load conditions are required. Offerings include 10ft, 12ft, and 14ft face widths with up to 5 antenna pipes per sector and feature double tie-backs. The G23 Family includes:

- MCG23HDX: Monopole Sector Frames with 2-7/8" OD Face Pipes & Antenna Pipes
- SFG23HDX: Tower Sector Frames with 2-7/8" OD Face Pipes & Antenna Pipes



**SFG23HDX Sector Frame**

SFG23HDX-10-4-96

Description	Face width	Pipes included	Part number	Mount rating
<b>SFG23HDX Series (Heavy Duty Xtreme High Capacity Sector Frame)—Meets TIA 5053 standard</b>				
Heavy Duty Xtreme High Capacity Sector Frame	10' Face Width	(3) 2-3/8" OD X 96" Antenna Pipe	<a href="#">SFG23HDX-10-3-96</a>	M4000R(4500)-3[6]
		(4) 2-3/8" OD X 126" Antenna Pipe	<a href="#">SFG23HDX-10-4-126</a>	M4000R(2600)-4[6]
		(4) 2-3/8" OD X 96" Antenna Pipe	<a href="#">SFG23HDX-10-4-96</a>	M4000R(2600)-4[6]
	12' Face Width	(3) 2-7/8" OD X 120" Antenna Pipe	<a href="#">SFG23HDX-12-3-120</a>	M3200R(4000)-3[6]
		(4) 2-7/8" OD X 120" Antenna Pipe	<a href="#">SFG23HDX-12-4-120</a>	M3100R(2600)-4[6]
	14' Face Width	(4) 2-7/8" OD X 126" Antenna Pipe	<a href="#">SFG23HDX-12-4-126</a>	M3100R(2600)-4[6]
		(4) 2-7/8" OD X 96" Antenna Pipe	<a href="#">SFG23HDX-12-4-96</a>	M3100R(2600)-4[6]
		(4) 2-7/8" OD X 120" Antenna Pipe	<a href="#">SFG23HDX-14-4-120</a>	M2250R(2350)-4[6]
		(4) 2-7/8" OD X 126" Antenna Pipe	<a href="#">SFG23HDX-14-4-126</a>	M2250R(2350)-4[6]
		(4) 2-7/8" OD X 96" Antenna Pipe	<a href="#">SFG23HDX-14-4-96</a>	M2250R(2350)-4[6]
		(5) 2-7/8" OD X 126" Antenna Pipe	<a href="#">SFG23HDX-14-5-126</a>	M2350R(2000)-5[6]
	(5) 2-7/8" OD X 96" Antenna Pipe	<a href="#">SFG23HDX-14-5-96</a>	M2350R(2000)-5[6]	

# SFG22HD & SFG22HDX Tower Applications

## Ordering information

G22 Series Monopole & Tower Sector Frames feature a medium duty sector frame option for a tailored solution when heavy duty load conditions are not required. Offerings include 10ft, 12ft, and 14ft face widths and feature double tie-backs. The G22 Family includes:

- SFG22HD: Tower Sector Frames with 2-7/8" OD Face Pipes & 2-3/8" OD Antenna Pipes
- MCG22HD: Monopole Sector Frames with 2-7/8" OD Face Pipes & 2-3/8" OD Antenna Pipes
- SFG22HDX: Tower Sector Frames with 2-7/8" OD Face Pipes & 2-7/8" OD Antenna Pipes
- MCG22HDX: Monopole Sector Frames with 2-7/8" OD Face Pipes & 2-7/8" OD Antenna Pipes



Description	Face width	Pipes included	Part number	Mount rating
<b>SFG22HD Series (Heavy Duty Capacity Frame)—Meets TIA 5053 standard</b>				
High Duty Capacity Sector Frame	10' Face Width	(3) 2-3/8" OD X 126" Antenna Pipe	SFG22HD-10-3-126	M1400R(2300)-3[6]
		(3) 2-3/8" OD X 96" Antenna Pipe	SFG22HD-10-3-96	M2450R(2400)-3[6]
	12' Face Width	(4) 2-3/8" OD X 126" Antenna Pipe	SFG22HD-12-4-126	M1350R(1800)-4[6]
		(4) 2-3/8" OD X 96" Antenna Pipe	SFG22HD-12-4-96	M2150R(2000)-4[6]

Description	Face width	Pipes included	Part number	Mount rating
<b>SFG22HDX Series (Heavy Duty Xtreme Capacity Frame)—Meets TIA 5053 standard</b>				
Heavy Duty Xtreme High Capacity 3-Sector Tower Frame	12' Face Width	(4) 2-3/8" OD X 96" Antenna Pipe	SFG22HDX-12-4-96	M2450R(2250)-4[6]
		(4) 2-3/8" OD X 126" Antenna Pipe	SFG22HDX-12-4-126	M2450R(2250)-4[6]
	14' Face Width	(4) 2-3/8" OD X 96" Antenna Pipe	SFG22HDX-14-4-96	M2050R(2150)-4[6]
		(4) 2-3/8" OD X 126" Antenna Pipe	SFG22HDX-14-4-126	M2050R(2150)-4[6]

# SFG21HD Tower Applications

## Ordering information

G21 Series Tower Sector Frames feature a lighter weight frame combined with the sturdy G2 Series base design for an economical option when heavy duty load conditions are not required.

- Offerings limited to 10ft and 12ft face widths
- Feature a single tie-back
- 2-7/8" OD Face Pipes & 2-3/8" OD Antenna Pipes



Description	Face width	Pipes included	Part number
<b>SFG21 Series (Standard Light Capacity Frame)—Meets TIA 5053 standard</b>			
Standard Light Capacity Sector Frame	10' Face Width	(3) 2-3/8" OD X 96" Antenna Pipe	<a href="#">SFG21HD-10-3-96</a>
		(3) 2-3/8" OD X 126" Antenna Pipe	<a href="#">SFG21HD-10-3-126</a>
		(4) 2-3/8" OD X 96" Antenna Pipe	<a href="#">SFG21HD-10-4-96</a>
		(4) 2-3/8" OD X 126" Antenna Pipe	<a href="#">SFG21HD-10-4-126</a>
	12' Face Width	(3) 2-3/8" OD X 96" Antenna Pipe	<a href="#">SFG21HD-12-3-96</a>
		(3) 2-3/8" OD X 126" Antenna Pipe	<a href="#">SFG21HD-12-3-126</a>
		(4) 2-3/8" OD X 96" Antenna Pipe	<a href="#">SFG21HD-12-4-96</a>
		(4) 2-3/8" OD X 126" Antenna Pipe	<a href="#">SFG21HD-12-4-126</a>





# Reinforcement Kits and MODs

Safety Climb Cable Guides  
Tower Reinforcement Kits  
Monopole Load Distribution Reinforcement Kits  
VZWSmart Monopole  
VZWSmart Tower  
VZWSmart Hardware Kits

# Safety Climb Cable Guides

## Ordering information

CommScope's Safety Climb Cable guides provide attachment points on Monopoles to help route and protect wire cables.



Description	Mounting	Part number
<b>Safety Climb Cable Guides</b>		
Safety Climb Cable Guide Clamp	Clamp Only	<a href="#">SCG-001</a>
Safety Climb Cable Guide for Round Member Attachment	Round members: 1.5"-4"	<a href="#">SCG-002</a>
Safety Climb Cable Guide for Round and Angle Member Attachment	Round members: 1.5"-8", 90 degree angle: up to 6" 60 degree angle: up to 8"	<a href="#">SCG-003</a>
Safety Climb Cable Guide for Square Member Attachment	Square members: up to 6"	<a href="#">SCG-004</a>
Safety Climb Cable Guide Collar Mount	CommScope standard monopole collars such as "MC-RM1550"	<a href="#">SCG-005</a>

# Tower Reinforcement Kits

## Ordering information

CommScope offers a wide variety of Tower and Monopole antenna mount reinforcements kits to fit virtually any application. Mount reinforcement kits add extra capacity to existing tower or monopole frames to enable mounting of additional equipment without swapping out the entire frame — saving both installation time and money.

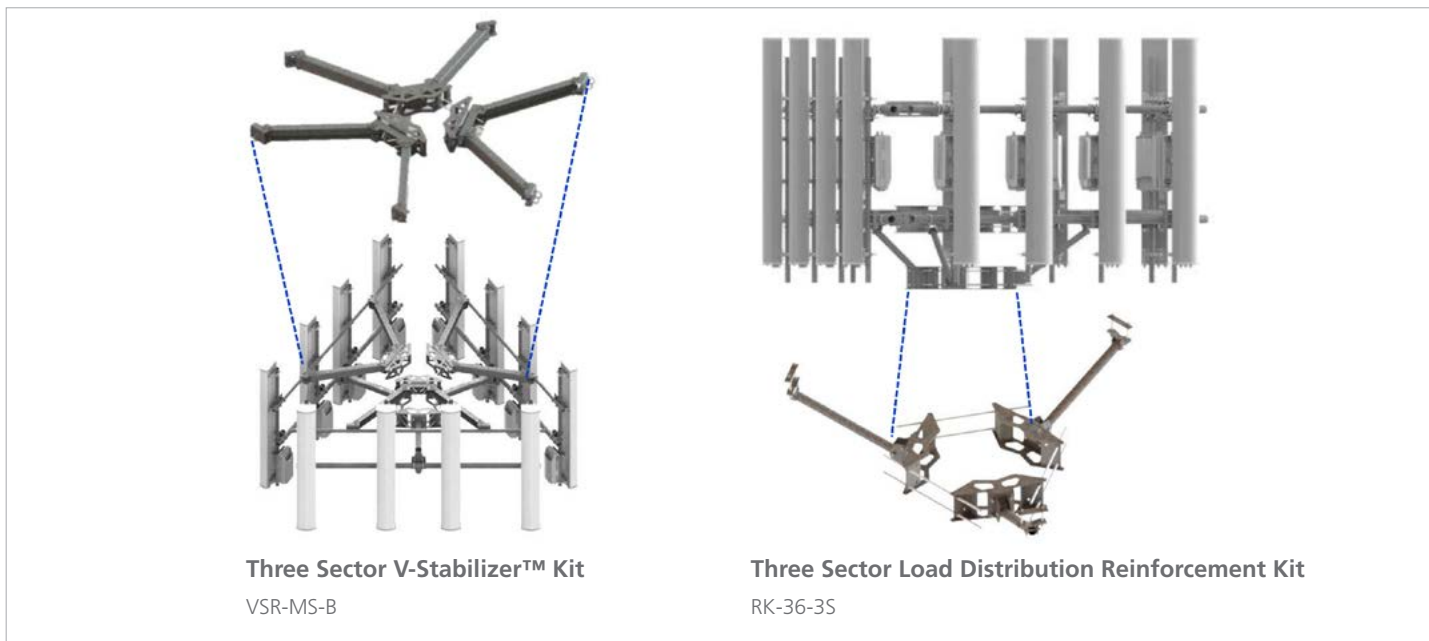


Description	Mounting	Part number
Interlocking Channel Supports Adjustable from 34.5" to 57.5"	Small leg size (2" - 8")	<a href="#">VSRC-TS-B</a>
	Large leg size (8" - 16")	<a href="#">VSRC-TL-B</a>
V-Stabilizer™ 48" channel supports	Small leg size (2" - 8")	<a href="#">VSR-TS-B</a>
	Large leg size (8" - 16")	<a href="#">VSR-TL-B</a>
V-Stabilizer™ Adjustable up to 60" angle supports	Small leg size (2" - 8")	<a href="#">VSRA-TS-B</a>
	Large leg size (8" - 16")	<a href="#">VSRAL-TS-B</a>
Dual V-Stabilizer™ 60" pipe supports	Small leg size (2" - 8")	<a href="#">VSRDual-TS-B</a>
Dual V-Stabilizer™ Adjustable up to 60" angle supports	Small leg size (2" - 8")	<a href="#">VSRDUALA-TS-B</a>
	Large leg size (8" - 16")	<a href="#">VSRDUALAL-TS-B</a>

# Monopole Load Distribution Reinforcement Kits

## Ordering information

CommScope offers a wide variety of Tower and Monopole antenna mount reinforcements kits to fit virtually any application. Mount reinforcement kits add extra capacity to existing tower or monopole frames to enable mounting of additional equipment without swapping out the entire frame — saving both installation time and money.



Description	Mounting Diameter	Part number
<b>Three Sector Load Distribution Reinforcement Kits Includes: Ring mount and support arms for 3 sectors</b>		
Interlocking Channel Supports Adjustable from 34.5" to 57.5"	15" - 50"	<a href="#">VSRC-MM-1550</a>
36" Support Arm	10" - 30"	<a href="#">RK-36-3S</a>
	12" - 50"	<a href="#">VSR-MS-B</a>
	15" - 50"	<a href="#">RK-36-3M</a>
	30" - 60"	<a href="#">RK-36-3L</a>
60" Support Arm	10" - 30"	<a href="#">RK-60-3S</a>
	15" - 50"	<a href="#">RK-60-3M</a>
	30" - 60"	<a href="#">RK-60-3L</a>
Field Adjustable 10' Support Arm	30" - 60"	<a href="#">MTC38523L</a>
<b>Four Sector Load Distribution Reinforcement Kits Includes: Ring mount and support arms for 4 sectors</b>		
36" Support Arm	10" - 30"	<a href="#">RK-36-4S</a>
	30" - 60"	<a href="#">RK-36-4L</a>
60" Support Arm	10" - 30"	<a href="#">RK-60-4S</a>
	30" - 60"	<a href="#">RK-60-4L</a>
TOP RAIL REINFORCEMENT KIT Universal monopole platform reinforcement kit		<a href="#">PVS-050B-U</a>

# VZWSmart Monopole

## Ordering information



Description	Part number
<b>VZWSmart</b>	
<b>Monopole Applications</b>	
Hand-rail kit, 2-7/8" x 150", adjustable corner brace, Hardware for 2-7/8" Antenna Pipes	<a href="#">VZWSMART-PLK1</a>
Hand-rail corner bracing kit, 2-7/8" Pipe connections, No Antenna Pipe Hardware	<a href="#">VZWSMART-PLK2</a>
Hand-rail Corner bracing Kit Supports, One Corner, U-bolts for 2-7/8" Pipe, No Angle Braces Included	<a href="#">VZWSMART-PLK3</a>
Kicker Support Arm, 3" x 3" x 96" Angle with Connecting Brackets and Hardware for up 3" to 6" square or 3-1/2" to 4-1/2" OD Stand-offs, 3 sectors, Collar Mount not included	<a href="#">VZWSMART-PLK5</a>
Dual Pivoting Kicker Support Arms, 2-1/2" x 2-1/2" x 60" Angle with Connecting Brackets and Hardware, Collar Mount/pipe not included	<a href="#">VZWSMART-PLK6</a>
Ring Mount, 12" to 45" Monopole Diameter with 6" x 6" x 5/8" bolt pattern	<a href="#">VZWSMART-PLK7</a>
Hand-Rail Reinforcement Kit, Vertical, One Sector Only, attaches up to 3-1/2" OD horizontal & up to 6" square standoff	<a href="#">VZWSMART-PLK8</a>
Reinforcement Arm, 3" x 3" x 72" Square Tube, Collar mount not included	<a href="#">VZWSMART-SFK4</a>



# VZWSmart Tower

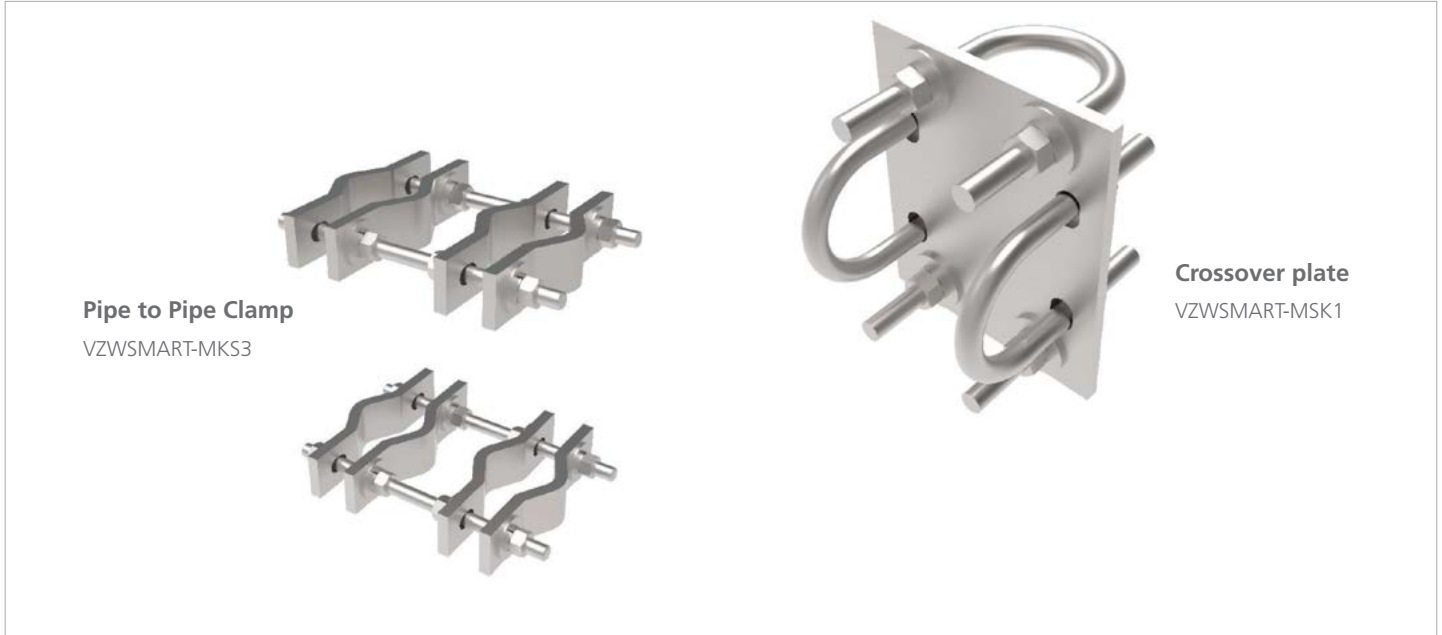
## Ordering information



Description	Part number
VZWSmart	
Tower Applications	
Stiff Arm, 2-3/8" x 12 ft Pipe, Attachment Hardware, for 1-1/2" to 8" OD or 60 degree angle tower leg	<a href="#">VZWSMART-SFK1</a>
V-Stabilizer for Tower, saddle clamps for 1" - 8", Dual Pivoting Angle Arms, 96" long, attaches up to 4-1/2" OD horizontals	<a href="#">VZWSMART-SFK3</a>
V-Stabilizer for Small Tower Leg, Clamps for up to 3-1/2" round legs, Dual Pivoting Angle Arms, 96" long, attaches up to 4-1/2" OD horizontals	<a href="#">VZWSMART-SFK3-SL</a>

# VZWSmart Hardware Kits

## Ordering information



**Pipe to Pipe Clamp**  
VZWSMART-MKS3

**Crossover plate**  
VZWSMART-MSK1

Description	Part number
<b>VZWSmart—Meets TIA 5053 standard</b>	
<b>Hardware Kits</b>	
Small Cross-Over Plate, 2-3/8" or 2-7/8" Pipes	VZWSMART-MSK1
Medium Cross-Over Plate, connects 2-3/8" to 2-7/8" pipes to 3-1/2" to 4" pipes	VZWSMART-MSK2
Pipe to Pipe, Clamps for 1-1/2" to 4-1/2" Pipes	VZWSMART-MSK3
Pipe to Pipe, Clamps, Wide, HD, for 1-1/2" to 3-1/2" Pipes, with double threaded Rod	VZWSMART-MSK3D
Pipe Mount, Tapered, No U-Bolts, attaches up to 8" OD or 60 degree angle Tower Legs, For Pipes 2-3/8" to 4-1/2" OD, U-Bolts sold separately	VZWSMART-MSK4
Large Cross-Over Plate, connects 2-3/8" to 2-7/8" pipes to 4" to 4-1/2" pipes	VZWSMART-MSK5
Dual Cross Over Plate, Mounts (2) 3-1/2" to 4-1/2" Pipes to 4" or 6" Square Tube	VZWSMART-MSK6
Cross Over Plate, Mounts up to 4-1/2" Pipe, Pipe to Angle, Pipe/Angle not included	VZWSMART-MSK7
Corner Support Bracket Kit, Mounts to Pipe up to 4-1/2", Pipe/Corner Angle brace not included	VZWSMART-MSK8
Leg Clamp, 1/2" to 3-1/2" Round & Up to 3" Angle	VZWSMART-MSK9
Wire Rope Routing Bracket Accessory for Ring Mounts, Ring Mount not included	VZWSMART-MSK10



# Roof Top Applications

Single and Dual Penetrating Rooftop Frame

Single and Dual Ballasted Rooftop Frame

Medium Capacity Roof Frames

Universal Tripod Mounts

Mounting Components

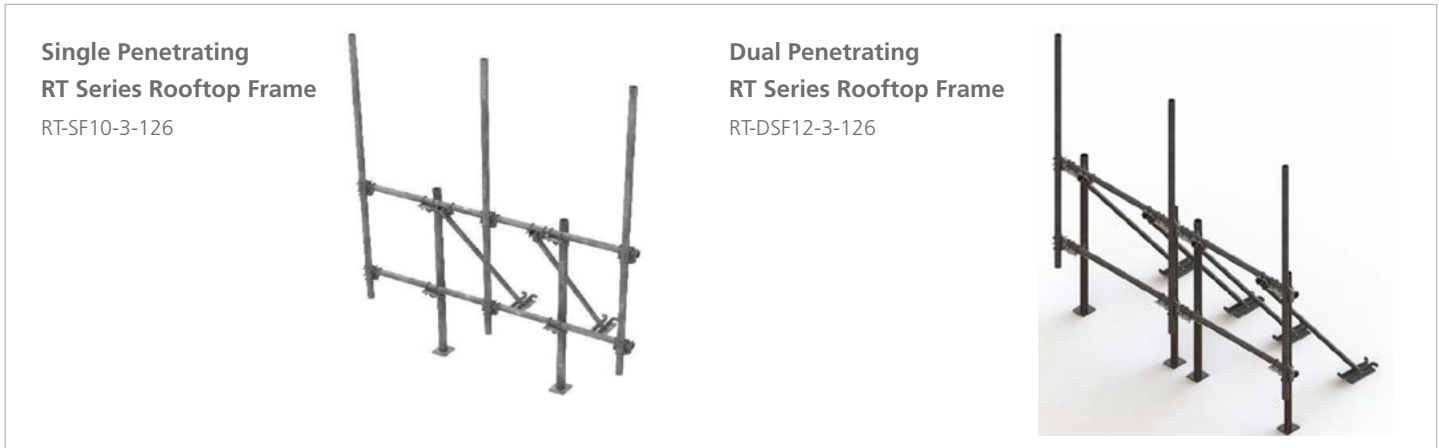
Microwave Mounting Components

# Single and Dual Penetrating Rooftop Frame

## Ordering information

CommScope now offers a complete line of high-capacity rooftop pipe sector frames designed for increased loading and lower EPA than traditional angle-based rooftop frames. The new RT-Series rooftop mounts are available in both penetrating and non-penetrating frame designs with multiple face size and pipe count options offered as a single part number to simplify ordering.

The RT-Series rooftop mounts all feature heavy duty 2 7/8" OD face pipes and antenna pipes and are rated to both AT&T and TIA-5053 standards with up to 5 antenna pipes (face width dependent). The frame features built-in mechanical adjustments for roof pitch with either single or dual frame versions to maximize load bearing capabilities.



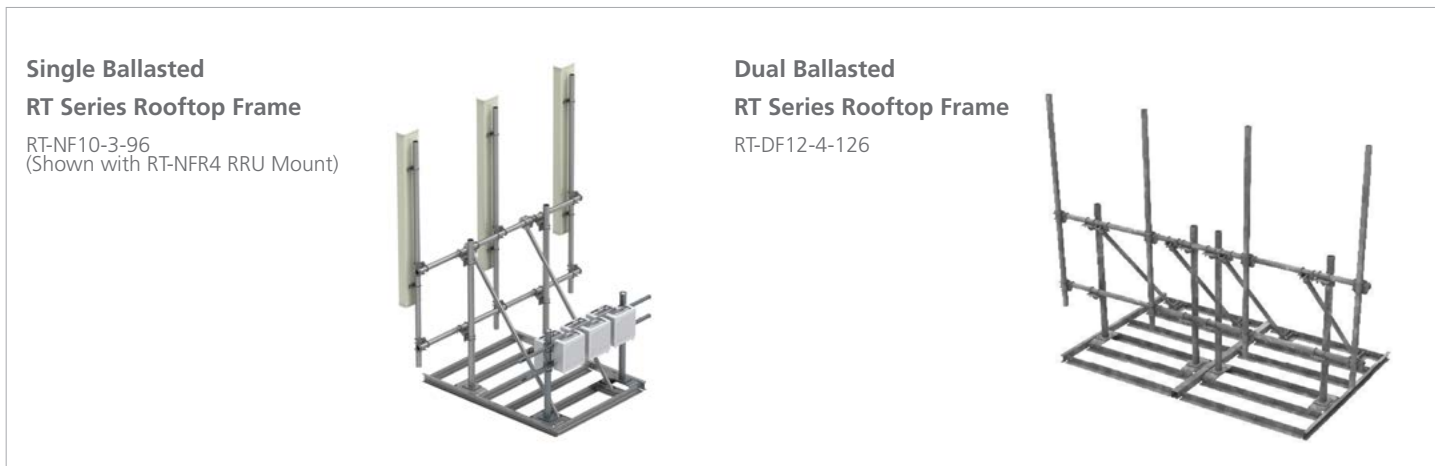
Description	Face width	Pipes included	Part number	Mount rating	
<b>Single Penetrating Rooftop Frame—Meets TIA 5053 standard</b>					
Single Penetrating rooftop sector frame	7' Face Width	(2) 2-7/8" OD X 96" Antenna pipes	<a href="#">RT-SF7-2-96</a>		
		(2) 2-7/8" OD X 126" Antenna pipes	<a href="#">RT-SF7-2-126</a>	M1500R(1000)-2[12]	
		(3) 2-7/8" OD X 96" Antenna pipes	<a href="#">RT-SF7-3-96</a>		
	10' Face Width	(3) 2-7/8" OD X 126" Antenna pipes	<a href="#">RT-SF7-3-126</a>		
		(3) 2-7/8" OD X 96" Antenna pipes	<a href="#">RT-SF10-3-96</a>		
		(3) 2-7/8" OD X 126" Antenna pipes	<a href="#">RT-SF10-3-126</a>		M1500R(1000)-3[6]
		(4) 2-7/8" OD X 96" Antenna pipes	<a href="#">RT-SF10-4-96</a>		
	12' Face Width	(4) 2-7/8" OD X 126" Antenna pipes	<a href="#">RT-SF10-4-126</a>		
		(3) 2-7/8" OD X 96" Antenna pipes	<a href="#">RT-SF12-3-96</a>		
		(3) 2-7/8" OD X 126" Antenna pipes	<a href="#">RT-SF12-3-126</a>		
(4) 2-7/8" OD X 96" Antenna pipes		<a href="#">RT-SF12-4-96</a>			
		(4) 2-7/8" OD X 126" Antenna pipes	<a href="#">RT-SF12-4-126</a>	M1100R(1000)-4[6]	

Description	Face width	Pipes included	Part number	Mount rating	
<b>Dual Penetrating Rooftop Frame—Meets TIA 5053 standard</b>					
Dual penetrating rooftop sector frame	12' Face Width	(3) 2-7/8" OD x 96" Antenna pipes	<a href="#">RT-DSF12-3-96</a>		
		(3) 2-7/8" OD x 126" Antenna pipes	<a href="#">RT-DSF12-3-126</a>		
		(4) 2-7/8" OD x 96" Antenna pipes	<a href="#">RT-DSF12-4-96</a>		
		(4) 2-7/8" OD x 126" Antenna pipes	<a href="#">RT-DSF12-4-126</a>		M1500R(1000)-4[18]
	14' Face Width	(3) 2-7/8" OD x 96" Antenna pipes	<a href="#">RT-DSF14-3-96</a>		
		(3) 2-7/8" OD x 126" Antenna pipes	<a href="#">RT-DSF14-3-126</a>		
		(4) 2-7/8" OD x 96" Antenna pipes	<a href="#">RT-DSF14-4-96</a>		
		(4) 2-7/8" OD x 126" Antenna pipes	<a href="#">RT-DSF14-4-126</a>		M1500R(1000)-4[15]



# Single and Dual Ballasted Rooftop Frame

## Ordering information



Description	Face width	Pipes included	Part number	Mount rating
<b>Single Ballasted Rooftop Frame—Meets TIA 5053 standard</b>				
Single ballasted rooftop sector frame	7' Face Width	(2) 2-7/8" OD x 96" Antenna pipes	RT-NF7-2-96	
		(2) 2-7/8" OD x 126" Antenna pipes	RT-NF7-2-126	M1500R(1000)-4[15]
		(3) 2-7/8" OD x 96" Antenna pipes	RT-NF7-3-96	
		(3) 2-7/8" OD x 126" Antenna pipes	RT-NF7-3-126	
	10' Face Width	(3) 2-7/8" OD x 96" Antenna pipes	RT-NF10-3-96	
		(3) 2-7/8" OD x 126" Antenna pipes	RT-NF10-3-126	M1500R(1000)-3[6]
		(4) 2-7/8" OD x 96" Antenna pipes	RT-NF10-4-96	
		(4) 2-7/8" OD x 126" Antenna pipes	RT-NF10-4-126	
	12' Face Width	(3) 2-7/8" OD x 96" Antenna pipes	RT-NF12-3-96	
		(3) 2-7/8" OD x 126" Antenna pipes	RT-NF12-3-126	
(4) 2-7/8" OD x 96" Antenna pipes		RT-NF12-4-96		
(4) 2-7/8" OD x 126" Antenna pipes		RT-NF12-4-126	M1100R(1000)-4[6]	
RRU Mounting Kit for RT Series Ballasted Frames	N/A	N/A	RT-NFR4	

Description	Face width	Pipes included	Part number	Mount rating
<b>Dual Ballasted Rooftop Frame—Meets TIA 5053 standard</b>				
Dual Ballasted rooftop sector frame	12' Face Width	(3) 2-7/8" OD x 96" Antenna pipes	RT-DF12-3-96	
		(3) 2-7/8" OD x 126" Antenna pipes	RT-DF12-3-126	
		(4) 2-7/8" OD x 96" Antenna pipes	RT-DF12-4-96	
		(4) 2-7/8" OD x 126" Antenna pipes	RT-DF12-4-126	M1500R(1000)-4[18]
	14' Face Width	(3) 2-7/8" OD x 96" Antenna pipes	RT-DF14-3-96	
		(3) 2-7/8" OD x 126" Antenna pipes	RT-DF14-3-126	
		(4) 2-7/8" OD x 96" Antenna pipes	RT-DF14-4-96	
		(4) 2-7/8" OD x 126" Antenna pipes	RT-DF14-4-126	M1500R(1000)-4[15]
RRU Mounting Kit for RT Series Ballasted Frames	N/A	N/A	RT-NFR4	

# Medium Capacity Roof Frames

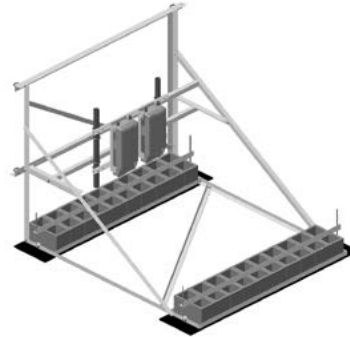
## Ordering information

### RF-NL Non-penetrating Angle Roof Frames

RF-NL10-3-96



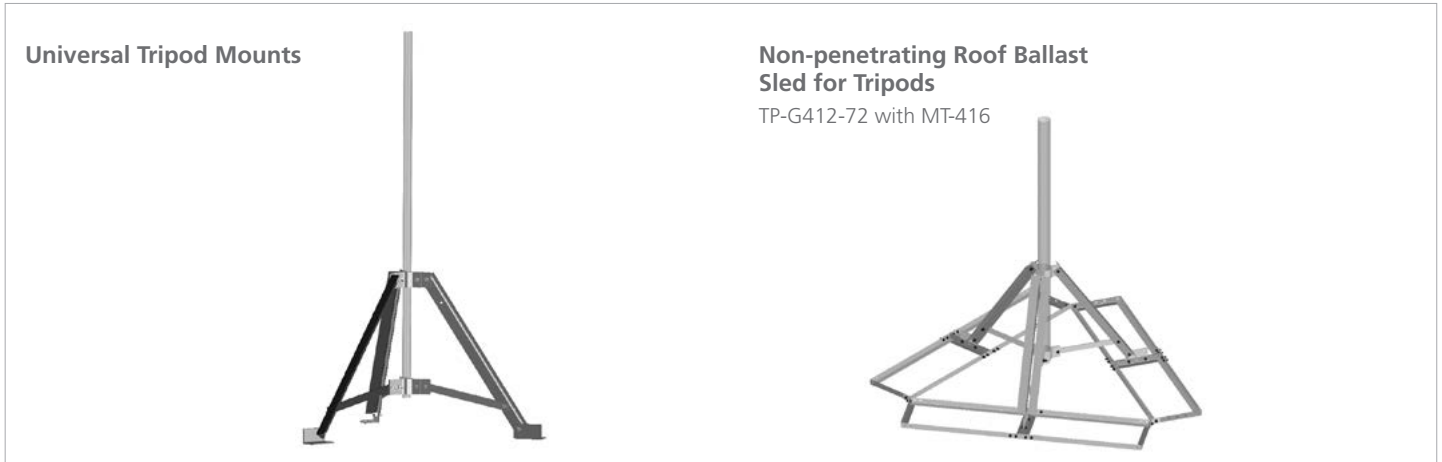
### Roof-top Frame RRU Retro Kit



Description	Part number
<b>Non-penetrating Roof Frame, 7' -6" (2.3 m) Wide (Angle-based design)</b>	
Base Frame Kit Only - 3-1/2" OD (88.9 mm OD) Pipes Ordered Separately	<a href="#">RF-NL7-B</a>
Two 3-1/2" OD x 72" (88.9 mm OD x 1.8 m) Pipes	<a href="#">RF-NL7-2-72</a>
Three 3-1/2" OD x 72" (88.9 mm OD x 1.8 m) Pipes	<a href="#">RF-NL7-3-72</a>
Two 3-1/2" OD x 96" (88.9 mm OD x 2.4 m) Pipes	<a href="#">RF-NL7-2-96</a>
Three 3-1/2" OD x 96" (88.9 mm OD x 2.4 m) Pipes	<a href="#">RF-NL7-3-96</a>
<b>Non-penetrating Roof Frame, 10' -6" (3.2 m) Wide (Angle-based design)</b>	
Base Frame Kit Only - 3-1/2" OD (88.9 mm OD) Pipes Ordered Separately	<a href="#">RF-NL10-B</a>
Two 3-1/2" OD x 72" (88.9 mm OD x 1.8 m) Pipes	<a href="#">RF-NL10-2-72</a>
Three 3-1/2" OD x 72" (88.9 mm OD x 1.8 m) Pipes	<a href="#">RF-NL10-3-72</a>
Two 3-1/2" OD x 96" (88.9 mm OD x 2.4 m) Pipes	<a href="#">RF-NL10-2-96</a>
Three 3-1/2" OD x 96" (88.9 mm OD x 2.4 m) Pipes	<a href="#">RF-NL10-3-96</a>
<b>Roof-top Frame RRU Retrofit Kit</b>	
RRU Retrofit Kit	<a href="#">RF-NRK</a>

# Universal Tripod Mounts

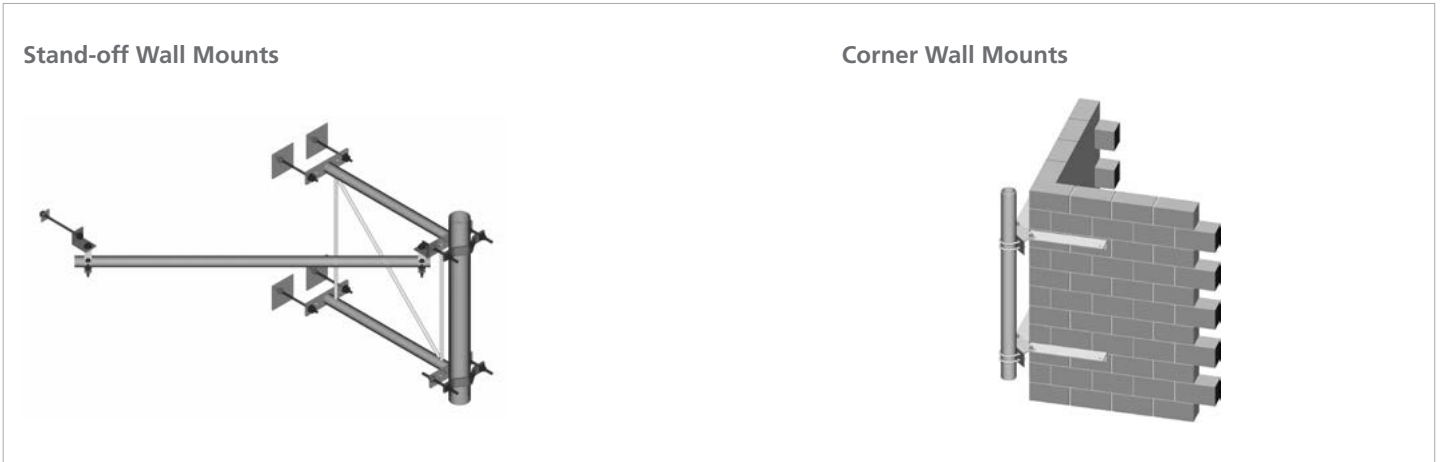
## Ordering information



Description	Part number
<b>Universal Tripod Mount, 2-7/8" or 3-1/2" OD (73 mm or 88.9 mm OD)</b>	
Base Only for 2-7/8" or 3-1/2" OD (73 mm or 88.9 mm OD), Pipe Ordered Separately	TP-G300-B
2-7/8" OD x 96" (73 mm OD x 2.4 m)	TP-G300-96
2-7/8" OD x 126" (73 mm OD x 3.2 m)	TP-G300-126
3-1/2" OD x 96" (88.9 mm OD x 2.4 m)	TP-G312-96
3-1/2" OD x 126" (88.9 mm OD x 3.2 m)	TP-G312-126
<b>Universal Tripod Mount, 4-1/2" OD (114.3 mm OD)</b>	
Base Only for 4-1/2" OD (114.3 mm OD), Pipe Ordered Separately	TP-G412-B
4-1/2" OD x 96" (114.3 mm OD x 2.4 m)	TP-G412-96
4-1/2" OD x 126" (114.3 mm OD x 3.2 m)	TP-G412-126
4-1/2" OD x 150" (114.3 mm OD x 3.8 m)	TP-G412-150
<b>Non-penetrating Roof Ballast Sled for Tripods</b>	
Non-penetrating Roof Sled, Tripod Mount Ordered Separately	MT-416
Rubber Mat, 1/2" x 18" x 48" (13 mm x 457 mm x 1219 mm), Six Mats Required for Ballast Tray	MT-F1637

# Wall Mounting Components

## Ordering information



Description	Part number
<b>Stand-off Wall Mount</b>	
Stand-off Wall Mount, 36" (914 mm), for Solid and Hollow Walls, Includes 72" (1829 mm) Stiff Arm	<a href="#">DM-300</a>
<b>Corner Wall Mount With 2-3/8" OD (60.3 mm OD) Antenna Pipe</b>	
96" (2.4 m) Pipe	<a href="#">CW-M2-96</a>
<b>Corner Wall Mount With 4-1/2" OD (114.3 mm OD) Antenna Pipe</b>	
96" (2.4 m) Pipe	<a href="#">CW-M4-96</a>



# Microwave Mounting Components

## Ordering information

**Adjustable Wall Mounts**



**Roof-top Microwave Dish Ballast Mount System**



Description	Part number
<b>Adjustable Wall Mounts, 6" (152.4 mm) Stand-off</b>	
For Hollow Walls, Includes Backing Plates, Kit of 2	<a href="#">MT-221</a>
For Solid Walls, Includes Wall Anchors, Kit of 2	<a href="#">MT-222</a>
<b>Adjustable Wall Mounts, 12" (305 mm) Stand-off</b>	
For Hollow Walls, Includes Backing Plates, Kit of 2	<a href="#">MT-221L</a>
For Solid Walls, Includes Wall Anchors, Kit of 2	<a href="#">MT-222L</a>
<b>Optional Backing Plate</b>	
Backing Plate Kit, 12" x 12" (305 mm x 305 mm)	<a href="#">MT-223</a>
<b>Roof-top Microwave Dish Ballast Mount System</b>	
Three 4.5" OD X 8' Supports with 3.5" OD Strut Support Member	<a href="#">RF-MW8-B</a>



# Equipment Platforms

Equipment Platforms

Ice Canopy

Equipment Platform Legs

Power Telco Racks

Handrail & Step Kits

# Equipment Platforms

## Equipment platform solutions

CommScope equipment platforms are delivered unassembled and erected on-site. They are designed to assemble quickly, easily and without the need for a cement pad. No permitting, no need for cement forms or rebar. No wasted time spent waiting for the pad to cure. Should cabling beneath the platform need to be moved, there is no need to dig up the pad and re-pour— simply re-route as needed.

The base equipment platform features grating, platform and all the hardware needed. A variety of options enable you to tailor the platform size, footings, canopy type and more to the requirements of the job. Additional add-ons—like power telco racks, handrails, steps and climbing ladders—let you create a flexible platform solution that can adapt to the specific needs of each site as the network and site requirements evolve.

To order, specify your desired length and width (in 2-ft increments), then select footing type per charts below:



Equipment platform

### Step 1: Select

#### Platform width (2-ft. increments, 26 ft. max)

1	04	4 ft. (Minimum width)
	26	26 ft. (Minimum width)

### Step 2: Select

#### Platform length (2-ft. increments, 26 ft. max)

2	04	4 ft. (Minimum length)
	26	26 ft. (Minimum length)

### Step 3: Select

#### Platform support/feet option

3	B	No feet, base platform only
	AL	Adjustable legs with side leg jack
	DF	Weight disbursement feet

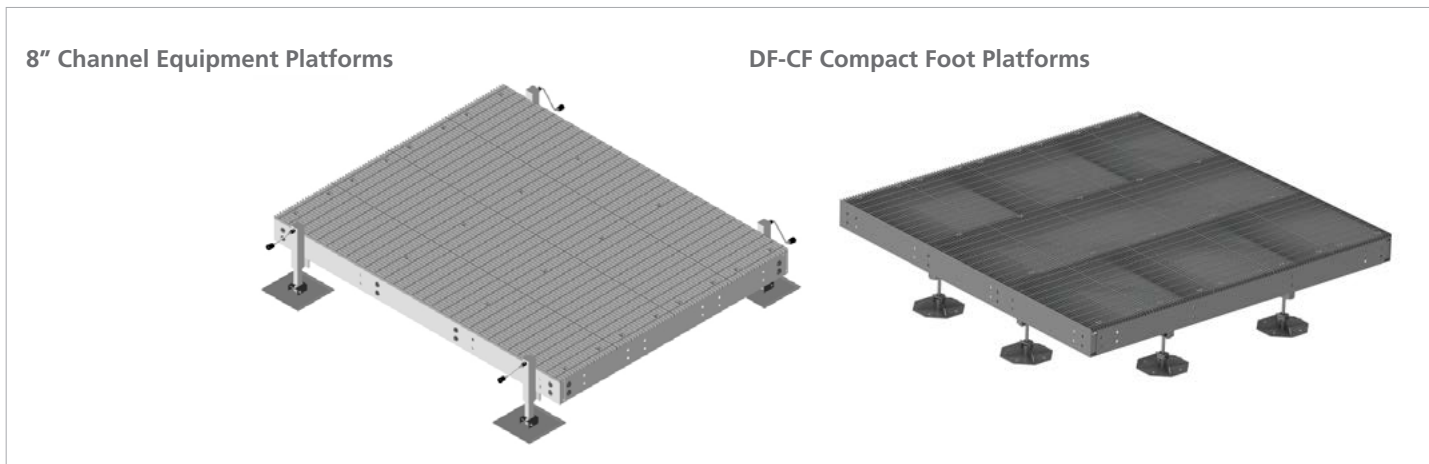
### Part Number Matrix

EQ-P     -

1                      2                      3

# Equipment Platforms

## Ordering information



Description	Example part numbers
<b>Equipment Platform Bases, 8" Channel, Heavy Duty, for Up to 10,000 lb Loading</b>	
8' x 10' (2.4 m x 3 m) Base Only	<a href="#">EQ-P0810-B</a>
8' x 10' (2.4 m x 3 m)	<a href="#">EQ-P0810-AL</a>
8' x 12' (2.4 m x 3.8 m) Base Only	<a href="#">EQ-P0812-B</a>
8' x 12' (2.4 m x 3.8 m)	<a href="#">EQ-P0812-AL</a>
8' x 14' (2.4 m x 4.4 m) Base Only	<a href="#">EQ-P0814-B</a>
8' x 14' (2.4 m x 4.4 m)	<a href="#">EQ-P0814-AL</a>
8' x 16' (2.4 m x 5 m) Base Only	<a href="#">EQ-P0816-B</a>
8' x 16' (2.4 m x 5 m)	<a href="#">EQ-P0816-AL</a>

Note: Additional sizes available

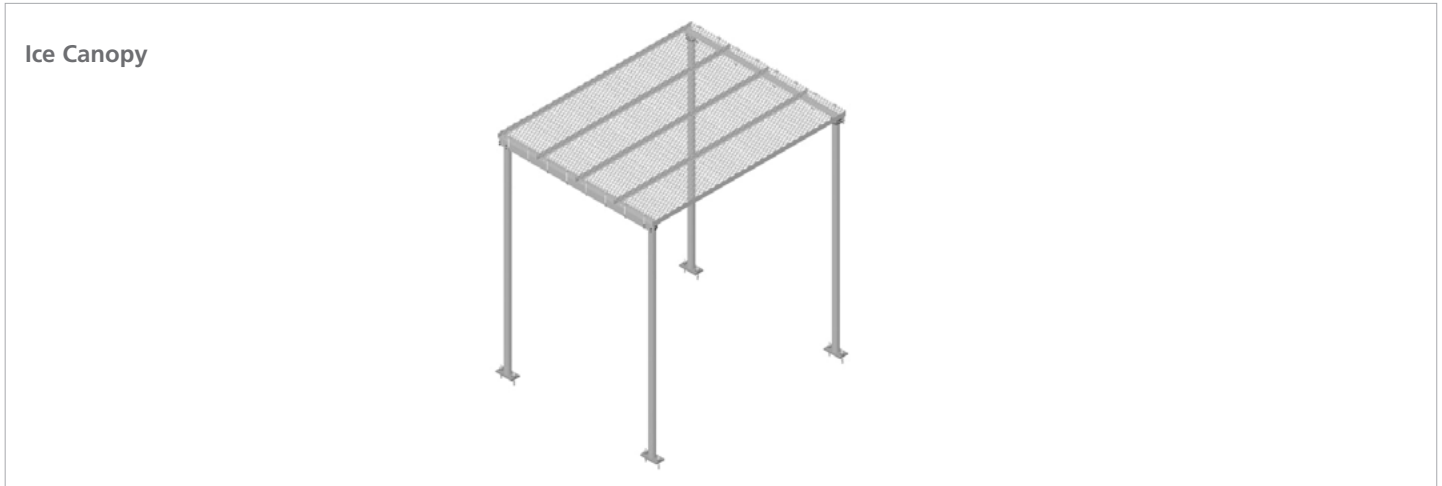
Equipment platforms with custom compact foot option to address tight lease spaces where footprint of the platform, including supporting piers, cannot exceed lease space.

Description	Example part numbers
<b>DF-CF Concealed Foot Options</b>	
10' x 10' Platform with Compact Foot Option	<a href="#">EQ-P1010-DF-CF</a>
10' x 15' Platform with Compact Foot Option	<a href="#">EQ-P1015-DF-CF</a>
10' x 20' Platform with Compact Foot Option	<a href="#">EQ-P1020-DF-CF</a>

# Ice Canopy

## Ordering information

Specifying the right ice canopy is even easier. Use the format below to tell us the length and width you need and the type of footing you prefer.



### Step 1: Select

Canopy length		
1	06	6 ft.
	08	8 ft.
	10	10 ft.

### Step 2: Select

Canopy width		
2	10	10 ft.
	12	12 ft.

### Step 3: Select

Canopy footing		
3	B	Direct burial posts, 13 ft. 4 in. tall
	S	Base shoe pipes 10.5 ft. tall

### Part Number Matrix

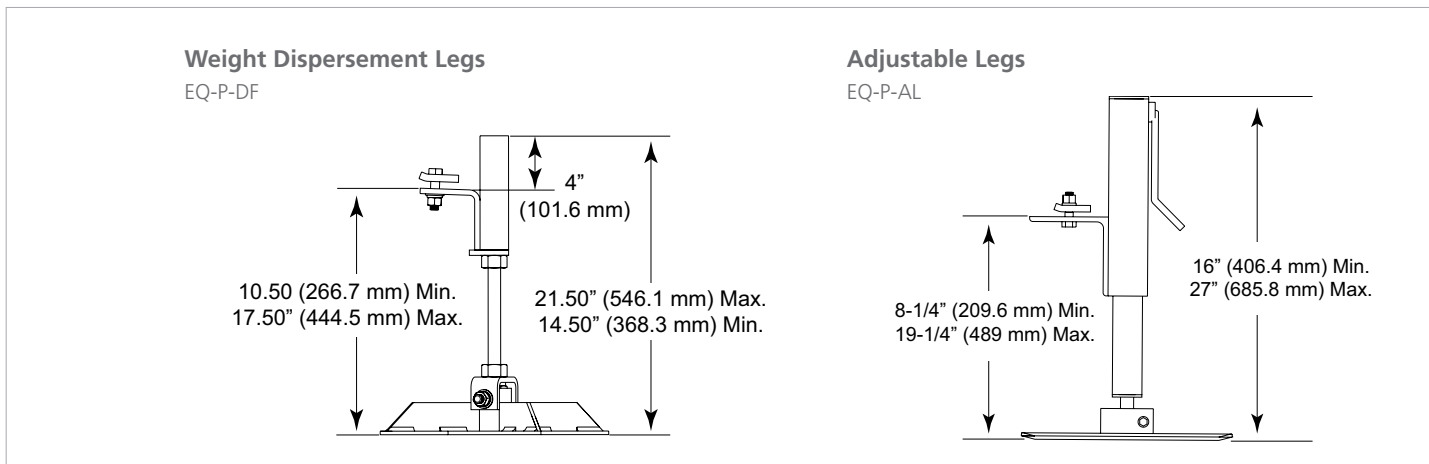
IC-     -

1                  2                  3



# Equipment Platform Legs

## Ordering information



Description	Part number
<b>Equipment Platform Legs</b>	
Adjustable Leg for Equipment Platform for Raw Land Installations	EQ-P-AL
Weight Dispersement Leg for Equipment Platforms	EQ-P-DF
<b>Helical Footings*</b>	
7' Long, 8.5" Diameter Helical Anchor	ST-HB07
10' Long, 10.75" Diameter Helical Anchor	ST-HB10
15' Long, 10.75" Diameter Helical Anchor	ST-HB15

\*Helical anchors are custom order products check with [steelproducts@commscope.com](mailto:steelproducts@commscope.com) for current lead times & pricing

# Power Telco Racks

## Ordering information

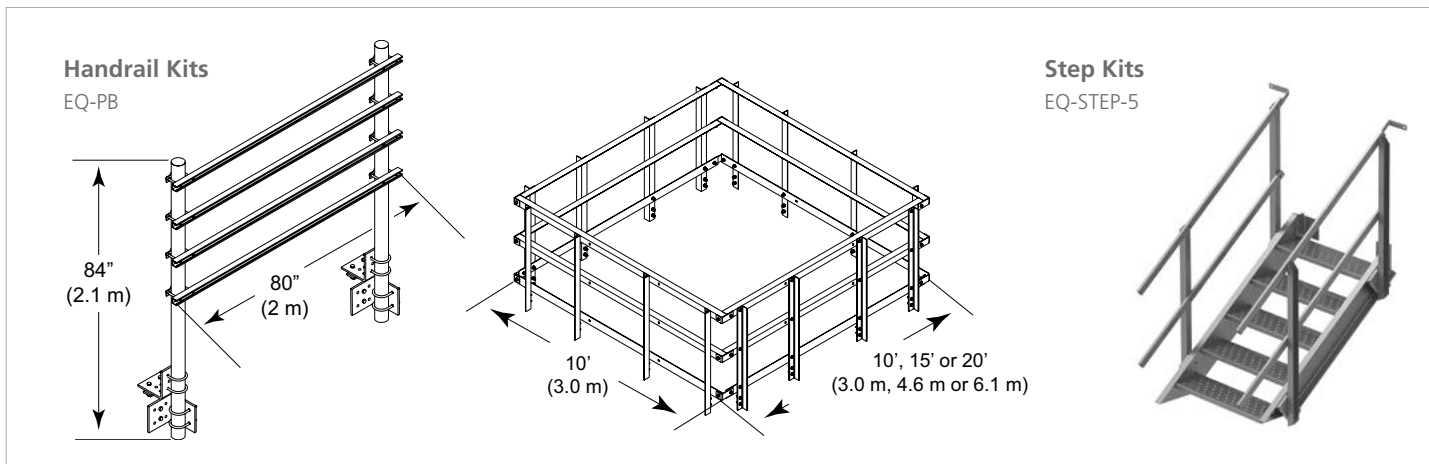
**Power Telco Racks**  
PT-R104



Description	Weight, lb (kg.)	Part number
<b>Telco Racks With 13'-4" (4.1 m) Burial Posts and 80" (2 m) Horizontal Rails</b>		
Power Telco Rack, Two 80" (2 m) Rungs, 13'-4" (4.1 m) Burial Posts	135 (62.0)	<a href="#">PT-R102</a>
Power Telco Rack, Three 80" (2 m) Rungs, 13'-4" (4.1 m) Burial Posts	150 (68.0)	<a href="#">PT-R103</a>
Power Telco Rack, Four 80" (2 m) Rungs, 13'-4" (4.1 m) Burial Posts	165 (75.0)	<a href="#">PT-R104</a>
<b>Power Telco Rack Kit for EQ-P Series Platforms</b>		
Two Post Power Telco Rack Kit, Includes Brackets	262 (118.9)	<a href="#">EQ-PPC</a>
<b>Post Bracket Kit for Waveguide Bridge Attachment to EQ-P Series Platforms</b>		
Mounts 3 1/2" (88.9mm) OD Pipe	715 (324.3)	<a href="#">EQ-PB</a>

# Handrail & Step Kits

## Ordering information



Description	Part number
<b>Handrail Kit for EQ-P Series Platforms</b>	
For 10' x 10' (3 m x 3 m) Platform	<a href="#">EQ-HR1010</a>
For 10' x 15' (3 m x 4.6 m) Platform	<a href="#">EQ-HR1015</a>
For 10' x 20' (3 m x 6.1 m) Platform	<a href="#">EQ-HR1020</a>
<b>Ladder for EQ-P Series Platforms</b>	
Climbing Ladder for EQ-P Series Platforms	<a href="#">EQ-LD</a>
<b>Step Kits for EQ-P Series Platforms</b>	
Single Platform Step for EQ-P Series Platforms	<a href="#">EQ-ST5</a>
Double Step Kit for EQ-P Series Platforms	<a href="#">EQ-STEP-2</a>
Triple Step Kit for EQ-P Series Platforms	<a href="#">EQ-STEP-3</a>
Four Step Kit for EQ-P Series Platforms	<a href="#">EQ-STEP-4</a>
Five Step Kit for EQ-P Series Platforms	<a href="#">EQ-STEP-5</a>
Six Step Kit for EQ-P Series Platforms	<a href="#">EQ-STEP-6</a>
<b>Power Telco Rack Kit for EQ-P Series Platforms</b>	
Two Post Power Telco Rack Kit for EQ-P Series Platforms. Includes Brackets	<a href="#">EQ-PPC</a>
<b>Post Bracket Kit for Waveguide Bridge Attachment to EQ-P Series Platforms</b>	
Mounts 3-1/2" (88.9 mm) OD Pipe	<a href="#">EQ-PB</a>



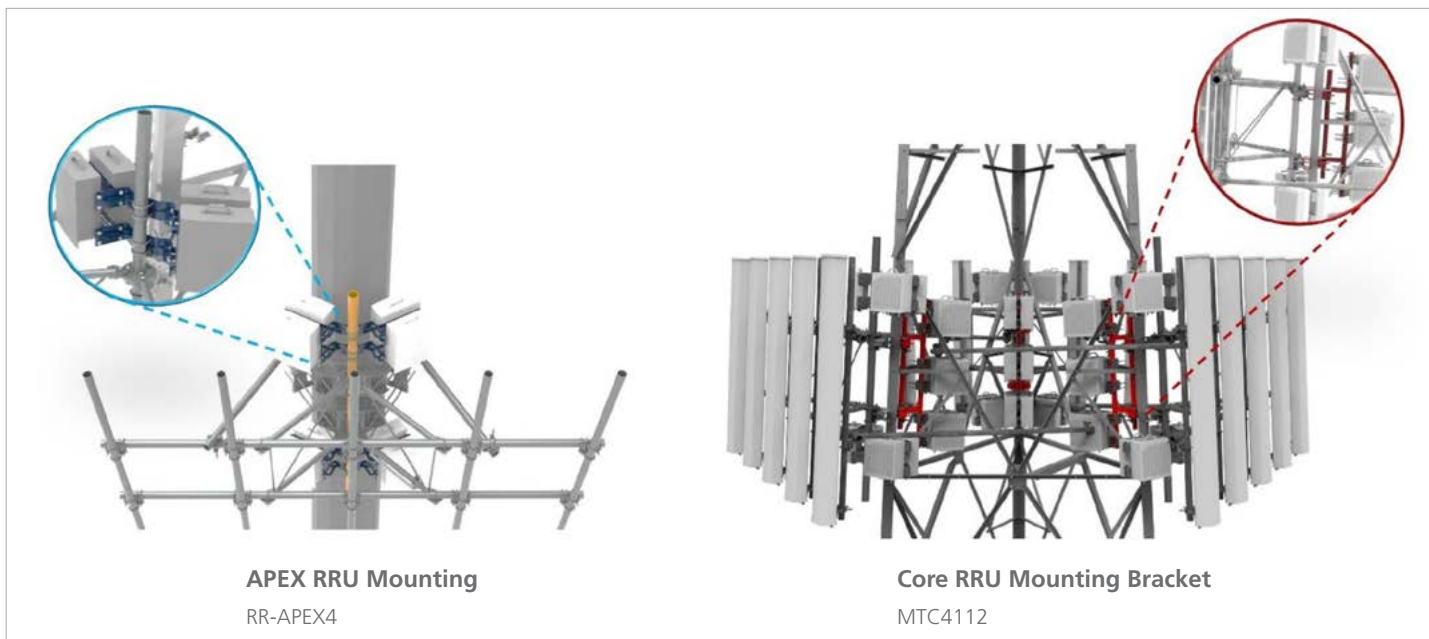
# Radio Mounts

- RRU Mounts
- PAM Universal Pipe-to-Angle Mount Kits
- Stand-off Arm Mounts
- Tower Mounts
- Monopole Mounts
- Ground Level Mounts
- Outdoor RRU Mount Racks
- RRU Mount Racks

# RRU Mounts

## Ordering information

CommScope offers a full line of RRH/RRU mounts which are designed to securely support radios and help prevent outdoor elements from affecting equipment performance. The RRU brackets mount securely to a wide range of round or angled members to enable mounting to the tower sector frame along with options that attach directly to the tower.



**APEX RRU Mounting**  
RR-APEX4

**Core RRU Mounting Bracket**  
MTC4112

Description	Mounting	Part number
<b>APEX RRU mount</b>		
RRU mounting for up to 4 radios	3.5" OD Round Members	<a href="#">RR-APEX4</a>
<b>CORE saddle mount</b>		
CORE RRU mounting bracket 1' stand off	3.5" OD Round Members	<a href="#">MTC4112</a>
CORE RRU mounting bracket 2' stand off	3.5" OD Round Members	<a href="#">MTC4113</a>
<b>Fast Access</b>		
Fast Access RRU mounting bracket	Round & Angled Up To 6"	<a href="#">RR-FA2</a>
Large stiffener bracket	RR-FA2 Only	RRFA-0002-00
<b>Back to Back</b>		
Back to Back RRU mounting bracket	3.5" OD Round Members	<a href="#">RR-B2B-AR</a>
Back to Back RRU mounting bracket	4.5" OD Round Members	<a href="#">RR-B2B-LP</a>

# PAM Universal Pipe-to-Angle Mount Kits

## Ordering information

CommScope announces the release of PAM, a new Universal Pipe-to-Angle Mount Kit designed for mounting equipment support pipes directly to angled sector frame or tower members. These kits are compatible with angle-style sector frames, such as the CommScope SF-QV Series and SF-SU Series or can mount directly to 90 degree angled tower members. PAM attaches pipes 2" to 3 1/2" OD (sold separately) to 90° angles from 2 to 4 inches. Mounting hardware is included for 2 3/8" pipes and u-bolts for other pipe sizes can be ordered separately.

- Mounts pipe directly to angled sector frame or tower members
- Universal mounting to either side of angle
- For 90° angles from 2 to 4 inches
- Compatible with Pipes 2" to 3 1/2" OD
- Includes U-bolts for Mounting 2 3/8" Pipes



Description	Part Number
Universal Pipe-to-Angle Mount Kit for mounting 2in to 3.5in OD pipe to 90-degree angles 2in to 4in. HW incl for 2-3/8in pipe (Pipe not included)	PAM



# Stand-off Arm Mounts

## Ordering information



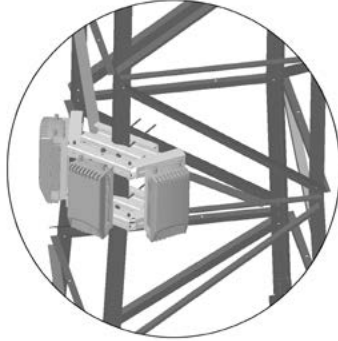
Description	Part number
<b>Stand-off Arm Mounts</b>	
Crossover Plates for Mounting One 2-3/8" OD (60.3 mm OD) Antenna Mounting Pipe to 4-1/2" OD (114.3 mm) Round or 4" (101.6 mm) Square Stand-off Arms	<a href="#">XP-197-S</a>
Crossover Plates for Mounting Two 2-3/8" OD (60.3 mm OD) Antenna Mounting Pipes to 4-1/2" OD (114.3 mm OD) Round or 4" (101.6 mm) Square Stand-off Arms	<a href="#">XP-197-D</a>
Crossover Plate for Mounting One 2-3/8" to 3-1/2" OD (60.3 mm to 88.9 mm OD) Antenna Mounting Pipe to 4-1/2" OD (114.3 mm OD) Round or 4" (101.6 mm) Square Stand-off Arms	<a href="#">XP-197-US</a>
Crossover Plates for Mounting Two 2-3/8" to 3-1/2" OD (60.3 mm to 88.9 mm OD) Antenna Mounting Pipes to 4-1/2" OD (114.3 mm OD) Round or 4" (101.6 mm) Square Stand-off Arms	<a href="#">XP-197-UD</a>
Crossover Plates for Mounting One 2-3/8" to 3-1/2" (60.3 mm to 88.9 mm) RRU Pipe to 3-1/2" (88.9 mm) Round or up to 4" (101.6 mm) Square Stand-off Arms	<a href="#">XP-197-35US</a>
Crossover Plates for Mounting Two 2-3/8" to 3-1/2" (60.3 mm to 88.9 mm) RRU Pipes to 3-1/2" (88.9 mm) Round or up to 4" (101.6 mm) Square Stand-off Arms	<a href="#">XP-197-35UD</a>
1 RRU Crossover Plates for Mounting RRUs to 3.5" to 4.5" Square or 3" to 6" Rectangular Tube	<a href="#">XP-PM-S</a>
2 RRU Crossover Plates for Mounting RRUs to 3.5" to 4.5" Square or 3" to 6" Rectangular Tube	<a href="#">XP-PM-D</a>

# Tower Mounts

## Ordering information

### Universal RRU Mount

PM-RU3T



### Universal Sliding Pipe Mount

PM-SU35-48



Description	Part number
<b>Universal RRU Mount</b>	
Mount for Attaching up to Three RRUs to Straight Tower Legs	<a href="#">PM-RU3</a>
Mount for Attaching up to Three RRUs to Straight or Tapered Tower Legs	<a href="#">PM-RU3T</a>
<b>Universal Sliding Pipe Mount Kit</b>	
Universal Sliding Pipe Mount Kit, 3-1/2" OD x 48" (88.9 mm OD x 1.2 m) Mounting Pipe	<a href="#">PM-SU35-48</a>

# Monopole Mounts

## Ordering information

### 6-Sector Pipe Mount Kit

RR-RM1560



### 3-Sector Dual Radio Ring Mount

MC-RR1050-3



Description	Weight, lb (kg)	Part number
<b>Six Sector Pipe Ring Mount</b>		
Pipe Mount Kit, for 15" to 60" OD (381 mm to 1524 mm OD) Monopoles	97 (44)	<a href="#">RR-RM1560</a>
<b>Three Sector Dual Radio Ring Mount</b>		
MC-RR1050-3 Pipe Mount, for 10" to 50" OD (254 mm to 1270 mm OD) Monopoles	101 (45.7)	<a href="#">MC-RR1050-3</a>

# Ground Level Mounts

## Ordering information



Description	Part number
<b>Ground Level Mounting RRU's</b>	
3-1/2" OD x 126" (88.9 mm OD x 3.2 m) Base Shoe Pipe With 14-1/2" x 14-1/2" (368.3 mm x 368.3 mm) Base Plate	<a href="#">RR-BSP-10</a>
Cluster Support Bracket, 5 Lines, for 3-1/2" OD (88.9 mm OD) Members	<a href="#">CS-BR</a>
Cluster Support Bracket, 18 Lines, for 3-1/2" OD (88.9 mm OD) Members	<a href="#">CS-BRL</a>
<b>Ice Shield</b>	
24" x 24" (609 mm x 609 mm) Ice Shield	<a href="#">RR-IS24</a>

# Outdoor RRU Mount Racks

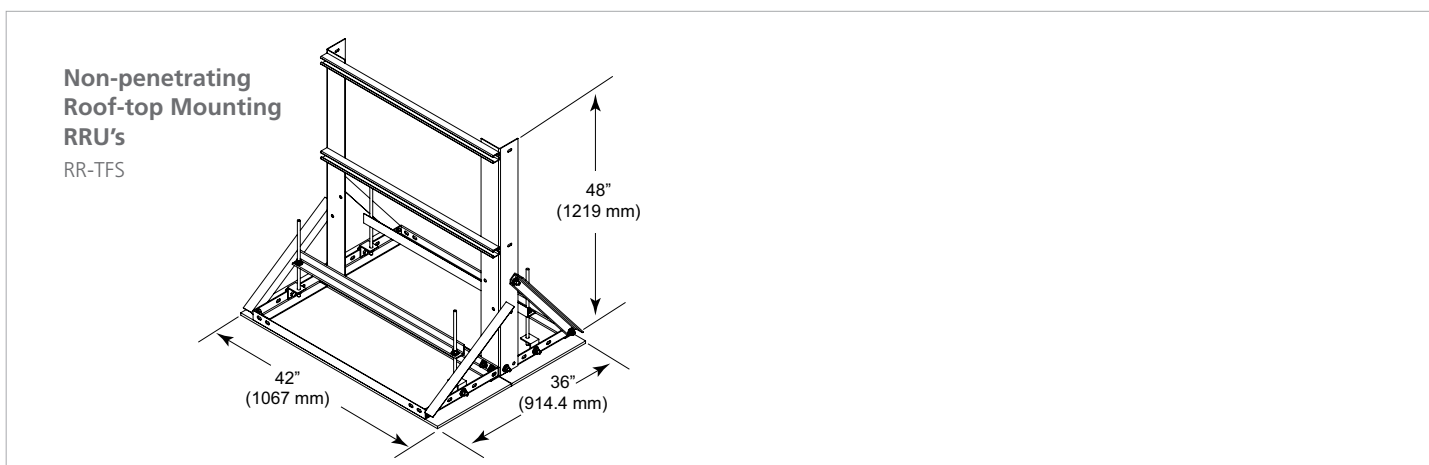
## Ordering information



Description	Part number
<b>Remote Radio H-Frame</b>	
Remote Radio H-Frame Burial Pole 5'	<a href="#">RR-HFBP5</a>
Remote Radio H-Frame Base Shoe 5'	<a href="#">RR-HFB55</a>
<b>Wall Mount</b>	
Remote Radio Wall Mount 3'	<a href="#">RR-WM3</a>

# RRU Mount Racks

## Ordering information



Description	Part number
<b>Non-penetrating Roof-top Mounting RRU's</b>	
Non-penetrating Ballast Mount for RRU's	<a href="#">RR-TFS</a>



# Cable Support Products

Polymer PIM-Guard Cable Support Brackets

PIM-guard Cable Support Brackets

Antenna RRU Cable Support Brackets

Cable Ladder Kits

Waveguide Bridge Components

Trapeze Kits and Z-Brackets



# Polymer PIM-guard Cable Support Brackets

## Ordering information

CommScope now offers a full line of Polymer PIM-guard Cable Support Brackets to reduce PIM around radios and antennas. The new PGP-Series consists of multiple modular configurations that are used to create cable support brackets with port counts ranging from 4 to 16 – with each port able to accept up to 3 Snap-Tak cable hangers.



Description	Mounting	Part number
<b>Polymer PIM-Guard Cable Support Brackets</b>		
Polymer PIM-guard cable support bracket – 4 ports	Round members: 2-3/8" - 3"	<a href="#">PGP-CS04</a>
Polymer PIM-guard cable support bracket – 8 ports		<a href="#">PGP-CS08</a>
Polymer PIM-guard cable support bracket – 10 ports		<a href="#">PGP-CS10</a>
Polymer PIM-guard cable support bracket – 12 ports		<a href="#">PGP-CS12</a>
Polymer PIM-guard cable support bracket – 16 ports		<a href="#">PGP-CS16</a>

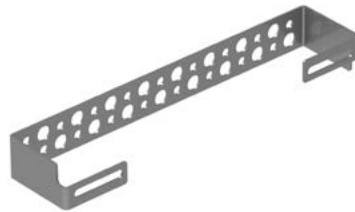
# PIM-guard Cable Support Brackets

PIM-guard (PG) Series Cable Support Brackets are designed with clamps that firmly secure the brackets to antenna pipes, eliminating loose metal connections which can cause PIM issues. Manufactured from hot-dipped galvanized steel, PG Series Cable Support Brackets also eliminate PIM concerns from dissimilar metals or corrosion. The PG Series is recommended for use with CommScope's new SnapTak™ PIM-guard adjustable hangers made from an engineered composite material to eliminate PIM near critical antenna and RRU connections.

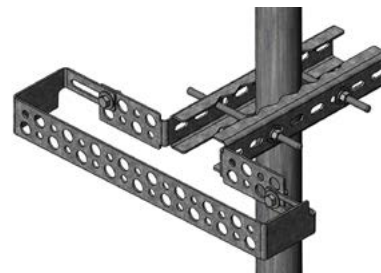
- PIM-guard family of cable attachment and support
- Secure metal clamp designs
- Hot-dipped galvanized steel



PG-CS08



PG-CSEB17



PG-CS23

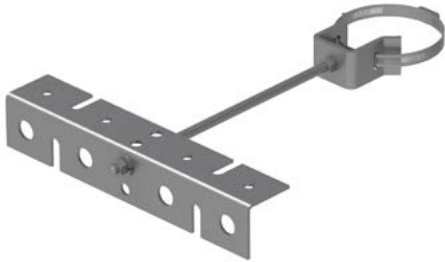
Description	Part number
8-port Cable Support Bracket Kit. Mounts to 1.9" to 4.5" OD Pipe	<a href="#">PG-CS08</a>
Cable Support Expansion Bracket to expand PG-CS08 to 23 ports	<a href="#">PG-CSEB17</a>
23-port Cable Support Bracket Kit. Mounts to 1.9" to 4.5" OD Pipe	<a href="#">PG-CS23</a>
6-port Bracket kit for Round Members 2 3/8" to 3 1/2" OD	<a href="#">PG-RM06</a>

# Antenna RRU Cable Support Brackets

## Ordering information

### Single Leg Cable Support

ACS-4



### Dual Leg Cable Support

ACS-D24



Description	Part number
<b>Single Leg Cable Support</b>	
Antenna and RRU Cable Support Bracket - 4 ports	<a href="#">ACS-4</a>
Antenna and RRU Cable Support Bracket - 12 ports	<a href="#">ACS-12</a>
<b>Dual Leg Cable Support</b>	
RRU Dual Leg Cable Support Bracket - 24 ports	<a href="#">ACS-D24</a>

### Star Support Brackets

SS-TB2550



### Universal Round Member Support Bracket

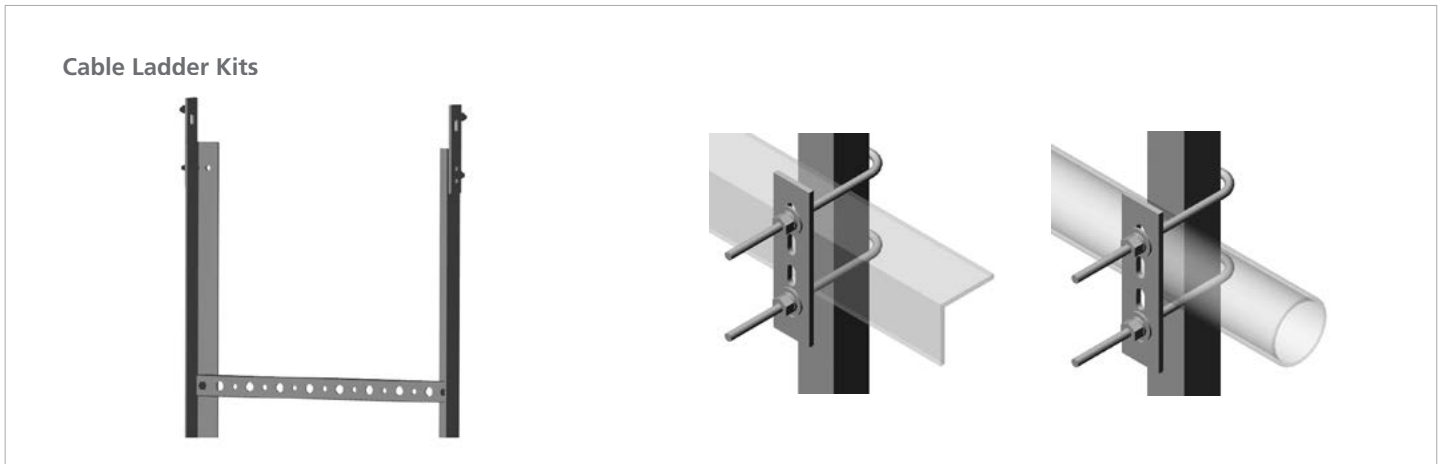
RM-USBG



Description	Weight, lb (kg)	Part number
<b>Star Support Tee Bracket</b>		
1-1/2" to 5-9/16" OD (38.1 mm to 141.3 mm OD) Round Members and 2-1/2" to 5" (50.8 mm to 127 mm) Angle Members	8 (3.6)	<a href="#">SS-TB2550</a>
4" to 10-3/4" OD (101.6 mm to 273.1 mm OD) Round Members and 4" to 8" (101.6 mm to 203.2 mm) Angle Members	10 (4.5)	<a href="#">SS-TB6080</a>
<b>Universal Round Member Support Bracket</b>		
Universal Round Member Support Bracket for 6 Runs, Kit of 10	9.0 (4.1)	<a href="#">RM-USBG</a>

# Cable Ladder Kits

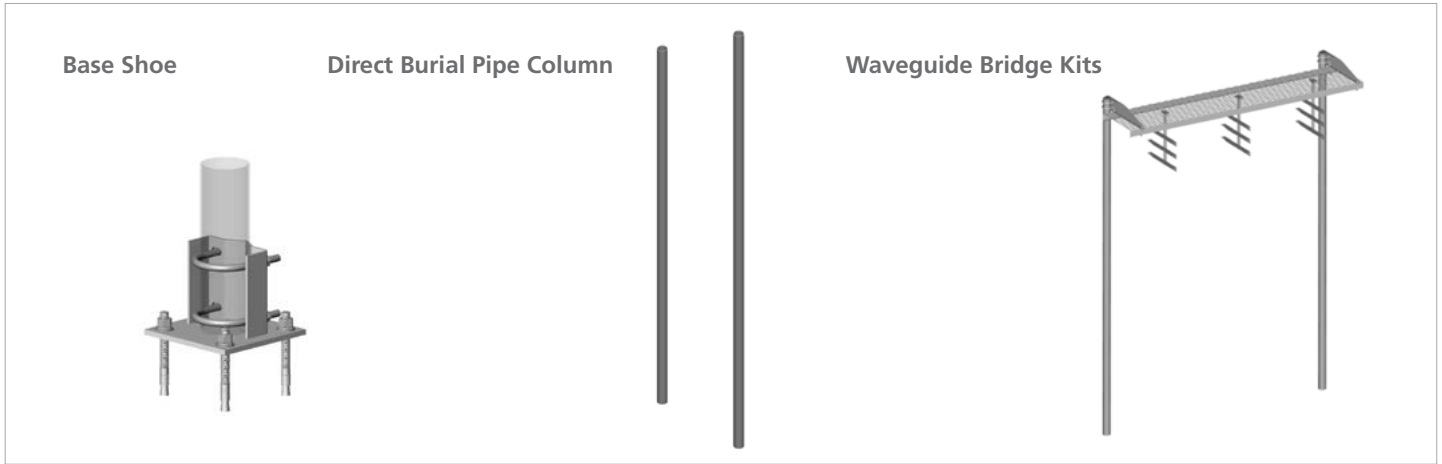
## Ordering information



Description	Part number
<b>Cable Ladder Kits</b>	
20" Wide, Six Hole Rung, 10 feet	<a href="#">CL-0610-U</a>
20" Wide, Six Hole Rung, 20 feet	<a href="#">CL-0620-U</a>
30" Wide, Nine Hole Rung, 10 feet	<a href="#">CL-0910-U</a>
30" Wide, Nine Hole Rung, 20 feet	<a href="#">CL-0920-U</a>
38" Wide, Twelve Hole Rung, 10 feet	<a href="#">CL-1210-U</a>
38" Wide, Twelve Hole Rung, 20 feet	<a href="#">CL-1220-U</a>

# Waveguide Bridge Components

## Ordering information



Description	Part number
<b>Base Shoe</b>	
For 3 1/2" OD Pipe, Hardware Included	<a href="#">WB-BS</a>
<b>Direct Burial Pipe Column</b>	
3 1/2" OD x 13' 4"	<a href="#">MF-130</a>
<b>Waveguide Bridge Support Brackets</b>	
24" Wide for 3 1/2" OD Legs	<a href="#">WB-LB24-3</a>
<b>Safety Grated Waveguide Bridge Kits</b>	
24" x 10' Bridge with (2) 15' 4" Direct Burial Posts	<a href="#">WB-K210-B15</a>
24" x 10' Bridge with (2) 13' 4" Direct Burial Posts	<a href="#">WB-K210-B</a>
24" x 10' Bridge with (4) 13' 4" Direct Burial Posts	<a href="#">WB-K410-B</a>
24" x 10' Bridge with (2) 10' 6" Base Shoe Posts	<a href="#">WB-K210-S</a>
Heavy Duty 12" x 10' Bridge with (2) 13' 4" Direct Burial Posts	<a href="#">WB-K110-B-HD</a>
Heavy Duty 12" x 10' Bridge with (2) 10' 6" Base Shoe Posts	<a href="#">WB-K110-S-HD</a>

# Trapeze Kits and Z-Brackets

## Ordering information



Description	Part number
<b>Trapeze Kits</b>	
Triple Tee Adjustable, 12" Wide with 3 Rungs	<a href="#">WB-T12-3</a>
Triple Tee Adjustable, 24" Wide with 3 Rungs	<a href="#">WB-T24-3</a>
12" Wide with 1 Rung	<a href="#">WB-TS12</a>
12" Wide with 2 Rung	<a href="#">WB-TD12</a>
24" Wide with 1 Rung	<a href="#">WB-TS24</a>
24" Wide with 2 Rung	<a href="#">WB-TD24</a>
<b>Arrestor Trapeze Kit for 7-16 DIN, Type N or Bolt-grounded Surge Arrestors</b>	
3-Tier, 6-hole Pattern	<a href="#">AT-K306-U</a>
4-Tier, 6-hole Pattern	<a href="#">AT-K406-U</a>
<b>Z-Brackets</b>	
12" Wide with 1 Rung	<a href="#">MT-357-12</a>
24" Wide with 1 Rung	<a href="#">MT-357-24</a>
Vertical Z-Bracket-12" Wide with 6 Holes	<a href="#">ZB-V6</a>
Vertical Z-Bracket-24" Wide with 6 Holes	<a href="#">ZB-V12</a>
<b>Horizontal Z-Brackets</b>	
Coaxial Cable Wall Bracket for 14 Cable Runs	<a href="#">ZB-H8</a>





# Small Cell

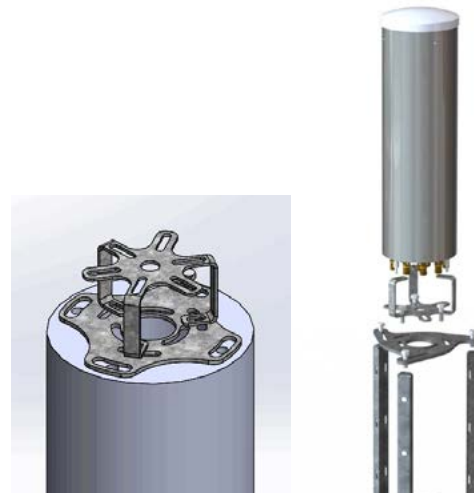
Small Cell Mounts  
Wood Pole Mounts

# Small Cell Mounts

## Small Cell Pole-Top Mounts

Small Cell Pole-Top Mounts are available in two configurations. One version is designed to be directly mounted to the top of Ameron 12" poles. The second version features two foot long stand off brackets which can be banded to fit wood or metal poles ranging from 8" to 11" OD.

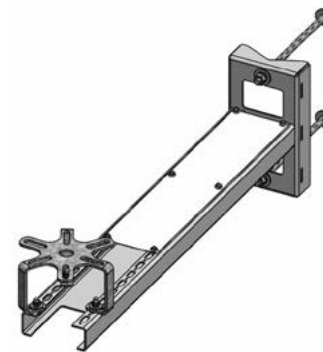
Description	Part number
Small Cell Pole Top Mount – Direct Mount to Ameron Poles	SCPT
Small Cell Pole Top Mount – with Stand off Bracket for 8" to 11" OD Poles	SCPTW



## Small Cell Side and Universal Mounts

Small Cell Side Mounts (SCSM) and Universal Mounts (SCU) are designed to be thru mounted to the side of wood or metal poles up to 13" OD. The SCSM is available in multiple stand off lengths and each version offers multiple antenna mounting locations to adjust the antenna distance from the pole. The SCU mounts near the top of the pole and provides a vertical stand-off pipe for mounting antennas or radios.

Description	Part number
Small Cell Pole Top Mount – Direct Mount to Ameron Poles	SCSM1
Small Cell Pole Top Mount – with Stand off Bracket for 8" to 11" OD Poles	SCSM2
Small Cell Pole Top Mount – with Stand off Bracket for 8" to 11" OD Poles	SCSM3
Small Cell Pole Top Mount – with Stand off Bracket for 8" to 11" OD Poles	SCU



# Wood Pole Mounts

## Ordering information



Description	Part number
<b>Wood Pole Mounts</b>	
Ring Mount for 9" to 21" OD poles. Antenna pipes purchased separately	MTC9313
Side Mount with 10.8" stand-off and 8" long mount pipe	MTC300901
Side Mount with 25.9" stand-off and 16" long mount pipe	MTC8743





# Pipes and Pole Mounts

Pipe Mounts Kits  
Crossover Plates  
Pipe-to-Pipe Clamps  
Pipes  
U-bolts and Hardware

# Pipe Mounts Kits

## Ordering information

### Pipe Mount Kits

MT-219  
MTC3055PM35



Description	Part number
<b>Pipe Mount Kits for 3-1/2" (88.9 mm) Round Tube Faces</b>	
Pipe Mount for 2-3/8" OD (60.3 mm OD) Antenna Mount Pipe	<a href="#">MT-219-H</a>
Pipe Mount for 2-7/8" OD (73 mm OD) Antenna Mount Pipe	<a href="#">MT-219M-H</a>
Pipe Mount for 3-1/2" OD (89 mm OD) Antenna Mount Pipe	<a href="#">MT-219L-H</a>
<b>Pipe Mount Kits for 4" (102 mm) Square Tube Faces</b>	
Pipe Mount for 2-3/8" OD (61 mm OD) Antenna Mount Pipe	<a href="#">MTC3055PM2</a>
Pipe Mount for 2-7/8" OD (73 mm OD) Antenna Mount Pipe	<a href="#">MTC3055PM3</a>
Pipe Mount for 3-1/2" OD (89 mm OD) Antenna Mount Pipe	<a href="#">MTC3055PM35</a>

# Crossover Plates

## Ordering information

### Crossover Plates

XP Series



Description	Part number
<b>U-bolt Style Crossover Plates</b>	
2 3/8" OD to 2 3/8" OD (60.3mm OD to 60.3mm OD) Round Members	<a href="#">XP-2020</a>
2 3/8" OD to 2 7/8" OD (60.3mm OD to 73mm OD) Round Members	<a href="#">XP-2025</a>
2 7/8" OD to 2 7/8" OD (73mm OD to 73mm OD) Round Members	<a href="#">XP-2525</a>
2 3/8" OD to 3 1/2" OD (60.3mm OD to 88.9mm OD) Round Members	<a href="#">XP-2030</a>
2 3/8" OD to 4 1/2" OD (60.3mm OD to 114.3mm OD) Round Members	<a href="#">XP-2040</a>
2 7/8" OD to 4 1/2" OD (60.3mm OD to 114.3mm OD) Round Members	<a href="#">XP-2540</a>
2 7/8" OD to 3 1/2" OD (73mm OD to 88.9mm OD) Round Members	<a href="#">XP-2530</a>
3 1/2" OD to 3 1/2" OD (88.9mm OD to 88.9mm OD) Round Members	<a href="#">XP-3030</a>
3 1/2" OD to 4 1/2" OD (88.9mm OD to 114.3mm OD) Round Members	<a href="#">XP-3040</a>
4 1/2" OD to 4 1/2" OD (114.3mm OD to 114.3mm OD) Round Members	<a href="#">XP-4040</a>
Universal Round, Joins Range of 2 3/8" up to 3 1/2" OD Round Members	<a href="#">XP-R</a>
<b>Crossover Angle</b>	
Crossover Angle, 2 3/8" OD to 2 3/8" OD (60.3mm OD to 60.3mm OD), Kit of 2	<a href="#">XA-2020</a>
Universal Crossover Angle, 2" OD to 3 1/2" OD (50.8mm OD to 88.9mm OD) to 2" OD to 3 1/2" OD (50.8mm OD to 88.9mm OD), Kit of 2	<a href="#">XA-U</a>

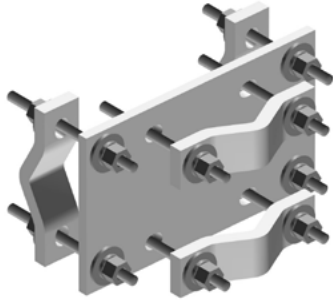


# Crossover Plates

## Ordering information

### Crossover Plates

CO Series



### Crossover Plates

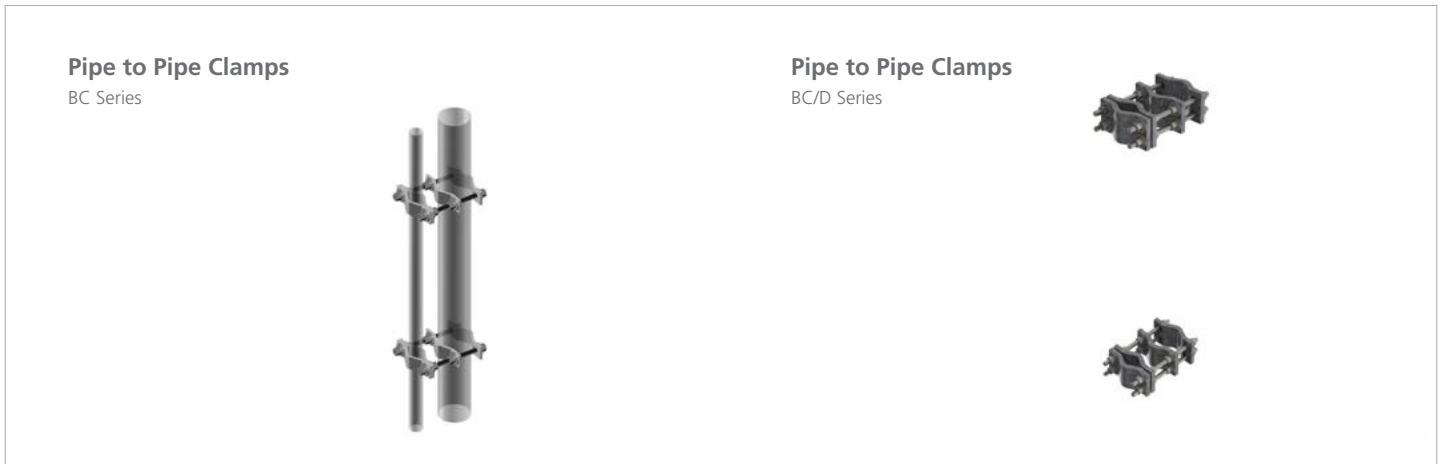
CC Series



Description	Part number
<b>Clamp Style Crossover Plates</b>	
Joins Two 1 1/2" OD to 3 1/2" OD (38.1mm OD to 88.9mm OD) Round Members	<a href="#">CO-100</a>
Joins Two 2" OD to 5" OD (50.8mm OD to 127mm OD) Round Members	<a href="#">CO-200</a>
Joins 2" OD to 5" OD (50.8mm OD to 127mm OD) to 4" OD to 9" OD (101.6mm OD to 228.6mm OD) Round Members	<a href="#">CO-400</a>
<b>Crossover Clamps</b>	
Joins Two 1 1/2" OD to 2 1/2" OD (38.1mm OD to 63.5mm OD) Round Members	<a href="#">CC-100</a>
Joins Two 2 1/2" OD to 3 1/2" OD (63.5mm OD to 88.9mm OD) Round Members	<a href="#">CC-100-6</a>
Joins 1 1/2" OD to 2 1/2" OD (38.1mm OD to 63.5mm OD) to 2 3/8" OD to 5" OD (60.3mm OD to 127mm OD) Round Members	<a href="#">CC-215</a>
Joins 2 1/2" OD to 3 1/2" OD (63.5mm OD to 88.9mm OD) to 2 3/8" OD to 5" OD (60.3mm OD to 127mm OD) Round Members	<a href="#">CC-215-6</a>

# Pipe-to-Pipe Clamps

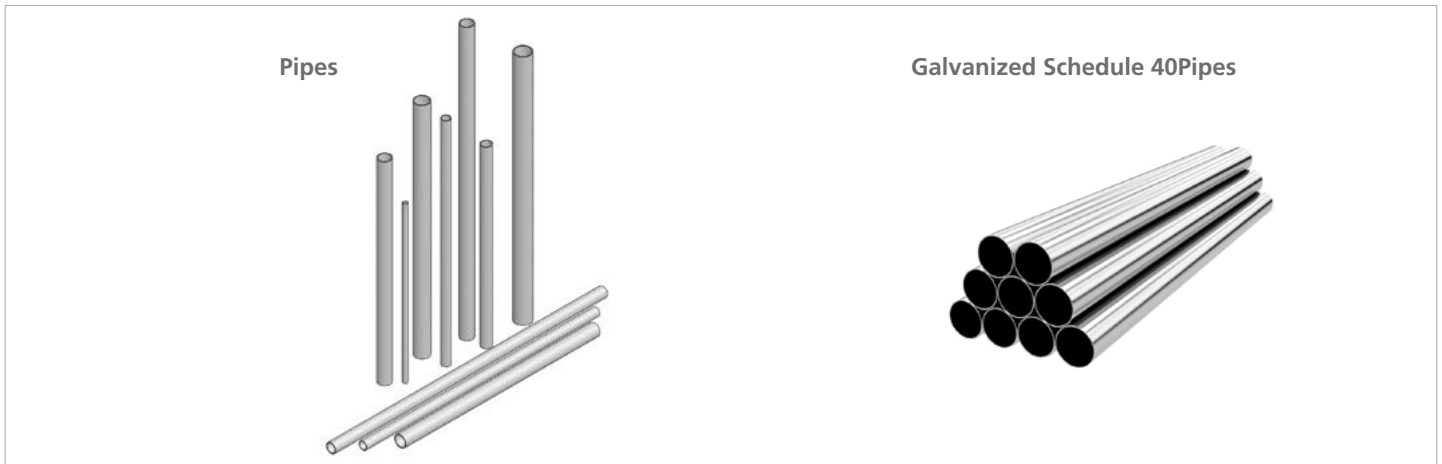
## Ordering information



Description	Part number
<b>BC/D Series Pipe-to-Pipe Clamps, Kit of 2</b>	
Joins Two 1 1/2" OD (38.1mm OD) to 3 1/2" OD (88.9mm OD) Round Members, 1/2" x 10" (12.7mm x 254mm) Threaded Rod	<a href="#">BC-20-10D</a>
Joins Two 1 1/2" OD (38.1mm OD) to 3 1/2" OD (88.9mm OD) Round Members, 1/2" x 10" (12.7mm x 254mm) Threaded Rod	<a href="#">BC-30-10D</a>
Joins Two 2 3/8" OD (60.3mm OD) to 5" OD (127mm OD) Round Members, 5/8" x 14" (15.9mm x 0.4m) Threaded Rod	<a href="#">BC-35-14D</a>
Joins Two 4" OD (101.6mm OD) to 9" OD (228.6mm OD) Round Members, 5/8" x 14" (15.9mm x 0.4m) Threaded Rod	<a href="#">BC-40-16D</a>
<b>BC Series Pipe-to-Pipe Clamps, Kit of 2</b>	
Joins Two 1 1/2" OD (38.1mm OD) to 3 1/2" OD (88.9mm OD) Round Members, 1/2" x 10" (12.7mm x 254mm) Threaded Rod	<a href="#">BC-20-10</a>
Joins Two 1 1/2" OD (38.1mm OD) to 3 1/2" OD (88.9mm OD) Round Members, 1/2" x 10" (12.7mm x 254mm) Threaded Rod	<a href="#">BC-30-10</a>
Joins Two 2 3/8" OD (60.3mm OD) to 5" OD (127mm OD) Round Members, 5/8" x 14" (15.9mm x 0.4m) Threaded Rod	<a href="#">BC-35-14</a>
Joins Two 4" OD (101.6mm OD) to 9" OD (228.6mm OD) Round Members, 5/8" x 14" (15.9mm x 0.4m) Threaded Rod	<a href="#">BC-40-16</a>

# Pipes

## Ordering information

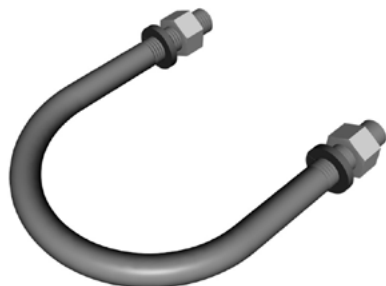


Description	Part number
<b>Pipe</b>	
2-3/8" OD x 96" (60.3 mm OD x 2.4 m) Pipe	<a href="#">MT-651-96</a>
2-3/8" OD x 120" (60.3 mm OD x 3 m) Pipe	MT-651-120
2-3/8" OD x 126" (60.3 mm OD x 3.2 m) Pipe	<a href="#">MT-537</a>
2-7/8" OD x 96" (73 mm OD x 2.4 m) Pipe	<a href="#">MT54696120</a>
2-7/8" OD x 120" (73 mm OD x 3 m) Pipe	MT546120120
2-7/8" OD x 126" (73 mm OD x 3.2 m) Pipe	<a href="#">MT546126120</a>
3-1/2" OD x 96" (89 mm OD x 2.4 m) Pipe	<a href="#">MT54796</a>
3-1/2" OD x 120" (89 mm OD x 3 m) Pipe	<a href="#">MT547120</a>
3-1/2" OD x 126" (89 mm OD x 3.2 m) Pipe	<a href="#">MT-547-126</a>
<b>Galvanized Schedule 40 Pipe</b>	
2-3/8" OD x 96" (60.3 mm OD x 2.4 m) Schedule 40 Pipe	<a href="#">MT651096154</a>
2-3/8" OD x 126" (60.3 mm OD x 3.2 m) Schedule 40 Pipe	MT651126154
2-7/8" OD x 96" (73 mm OD x 2.4 m) Schedule 40 Pipe	<a href="#">MT54696</a>
2-7/8" OD x 120" (73 mm OD x 3 m) Schedule 40 Pipe	MT546120
2-7/8" OD x 126" (73 mm OD x 3.2 m) Schedule 40 Pipe	<a href="#">MT-546-126</a>
3-1/2" OD x 126" (89 mm OD x 3.2 m) Schedule 40 Pipe	MTC547126216
<b>Galvanized Schedule 80 Pipe</b>	
2-3/8" OD x 96" (60.3 mm OD x 2.4 m) Schedule 80 Pipe	MT651096218
2-3/8" OD x 126" (60.3 mm OD x 3.2 m) Schedule 80 Pipe	MT651126218
2-7/8" OD x 96" (73 mm OD x 2.4 m) Schedule 80 Pipe	MT546096276
2-7/8" OD x 120" (73 mm OD x 3 m) Schedule 80 Pipe	MT546120276
2-7/8" OD x 126" (73 mm OD x 3.2 m) Schedule 80 Pipe	MT546126276
3-1/2" OD x 96" (89 mm OD x 2.4 m) Schedule 80 Pipe	MTC315596
3-1/2" OD x 120" (89 mm OD x 3 m) Schedule 80 Pipe	MTC3155

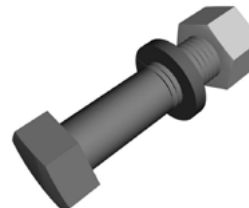
# U-bolts and Hardware

## Ordering information

U-bolts



Galvanized Bolts

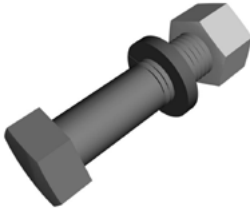


Description	Part number
<b>Galvanized U-bolts</b>	
1/2" x 2-1/2" x 4" (13 mm x 64 mm x 102 mm) Galvanized U-bolt Assembly	<a href="#">GUB-4240</a>
1/2" x 3" x 5-1/4" (13 mm x 76 mm x 133 mm) Galvanized U-bolt Assembly	<a href="#">GUB-4352</a>
1/2" x 3-5/8" x 6" (13 mm x 92 mm x 152 mm) Galvanized U-bolt Assembly	<a href="#">GUB-4356</a>
<b>Galvanized Bolts</b>	
Galvanized Bolt Assembly 3/8" X 1" Grade 5	<a href="#">GB-03105</a>
Galvanized Bolt Assembly 3/8" x 1-1/4" Grade 5	<a href="#">GB-03125</a>
Galvanized Bolt Assembly 3/8" x 1-1/2" Grade 5	<a href="#">GB-03145</a>
Galvanized Bolt Assembly 3/8" x 2" Grade 5	<a href="#">GB-03205</a>
Galvanized Bolt Assembly 3/8" x 2-1/4" Grade 5	<a href="#">GB-03225</a>
Galvanized Bolt Assembly 3/8" x 3" Grade 5	<a href="#">GB-03305</a>
Galvanized Bolt Assembly 3/8" x 3-1/2" Grade 5	<a href="#">GB-03345</a>
Galvanized Bolt Assembly 3/8" X 5" Grade 5	<a href="#">GB-03505</a>
Galvanized Bolt Assembly 1/2" x 1" Grade 5	<a href="#">GB-04105</a>
Galvanized Bolt Assembly 1/2" X 1-1/4" Grade 5	<a href="#">GB-04125</a>
Galvanized Bolt Assembly 1/2" x 1-1/2" Grade 5	<a href="#">GB-04145</a>
Galvanized Bolt Assembly 1/2" x 1-1/2" Grade A325	<a href="#">GB-0414A</a>
Galvanized Bolt Assembly 1/2" x 1-3/4" Grade 5	<a href="#">GB-04165</a>
Galvanized Bolt Assembly 1/2" x 1-3/4" Grade A325	<a href="#">GB-0416A</a>
Galvanized Bolt Assembly 1/2" x 2" Grade 5	<a href="#">GB-04205</a>
Galvanized Bolt Assembly 1/2" x 2" Grade A325	<a href="#">GB-0420A</a>
Galvanized Bolt Assembly 1/2" x 2-1/4" Grade 5	<a href="#">GB-04225</a>
Galvanized Bolt Assembly 1/2" x 2-1/2" Grade 5	<a href="#">GB-04245</a>
Galvanized Bolt Assembly 1/2" x 2-1/2" Grade A325	<a href="#">GB-0424A</a>
Galvanized Bolt Assembly 1/2" x 2-3/4" Grade 5	<a href="#">GB-04265</a>
Galvanized Bolt Assembly 1/2" x 3-3/4" Grade A325	<a href="#">GB-0436A</a>
Galvanized Bolt Assembly 1/2" x 4" Grade 5	<a href="#">GB-04405</a>
Galvanized Bolt Assembly 1/2" x 4-1/2" Grade 5	<a href="#">GB-04445</a>
Galvanized Bolt Assembly 5/8" x 1-1/2" Grade 5	<a href="#">GB-05145</a>
Galvanized Bolt Assembly 5/8" x 1-1/2" Grade A325	<a href="#">GB-0514A</a>
Galvanized Bolt Assembly 5/8" X 1-3/4" Grade A325	<a href="#">GB-0516A</a>

# U-bolts and Hardware

## Ordering information

**Galvanized Bolts**



**Galvanized Threaded Rod**



Description	Part number
<b>Galvanized Bolts</b>	
Galvanized Bolt Assembly 5/8" X 2" Grade 5	<a href="#">GB-05205</a>
Galvanized Bolt Assembly 5/8" x 2" Grade A325	GB-0520A
Galvanized Bolt Assembly 5/8" x 2-1/4" Grade 5	GB-05225
Galvanized Bolt Assembly 5/8" x 2 1/4" Grade A325	GB-0522A
Galvanized Bolt Assembly 5/8" x 2-1/2" Grade 5	<a href="#">GB-05245</a>
Galvanized Bolt Assembly 5/8" x 2-1/2" Grade A325	GB-0524A
Galvanized Bolt Assembly 5/8" x 3" Grade 5	<a href="#">GB-05305</a>
Galvanized Bolt Assembly 5/8" x 7" Grade A325	GB-0570A
Galvanized Bolt Assembly 3/4" x 2-1/4" Grade 5	GB-06225
Galvanized Bolt Assembly 3/4" x 3-1/2" Grade A325	GB-0634A
<b>Galvanized Threaded Rod</b>	
Threaded Rod Galvanized 3/8" X 8"	GD03800
Threaded Rod Galvanized 3/8" X 9-1/2"	GD03950
Threaded Rod Galvanized 1/2" X 12"	MT-379
Threaded Rod Galvanized 5/8" X 8"	MT-381-8
Threaded Rod Galvanized 5/8" X 18"	MT-382-18

CommScope pushes the boundaries of communications technology with game-changing ideas and ground-breaking discoveries that spark profound human achievement. We collaborate with our customers and partners to design, create and build the world's most advanced networks. It is our passion and commitment to identify the next opportunity and realize a better tomorrow. Discover more at [commscope.com](https://commscope.com)

**COMMSCOPE®**

---

[commscope.com](https://commscope.com)

Visit our website or contact your local CommScope representative for more information.

© 2023 CommScope, Inc. All rights reserved.

All trademarks identified by ® or ™ are registered trademarks or trademarks, respectively, of CommScope, Inc. This document is for planning purposes only and is not intended to modify or supplement any specifications or warranties relating to CommScope products or services. CommScope is committed to the highest standards of business integrity and environmental sustainability, with a number of CommScope's facilities across the globe certified in accordance with international standards, including ISO 9001, TL 9000, and ISO 14001. Further information regarding CommScope's commitment can be found at [www.commscope.com/About-Us/Corporate-Responsibility-and-Sustainability](https://www.commscope.com/About-Us/Corporate-Responsibility-and-Sustainability).

CO-1166593-EN (02/23)