

MT-416



Non-Penetrating Roof Sled

Product Classification

- Product Type** Tripod mount component
- Ordering Note** NSTD445 Compliant

General Specifications

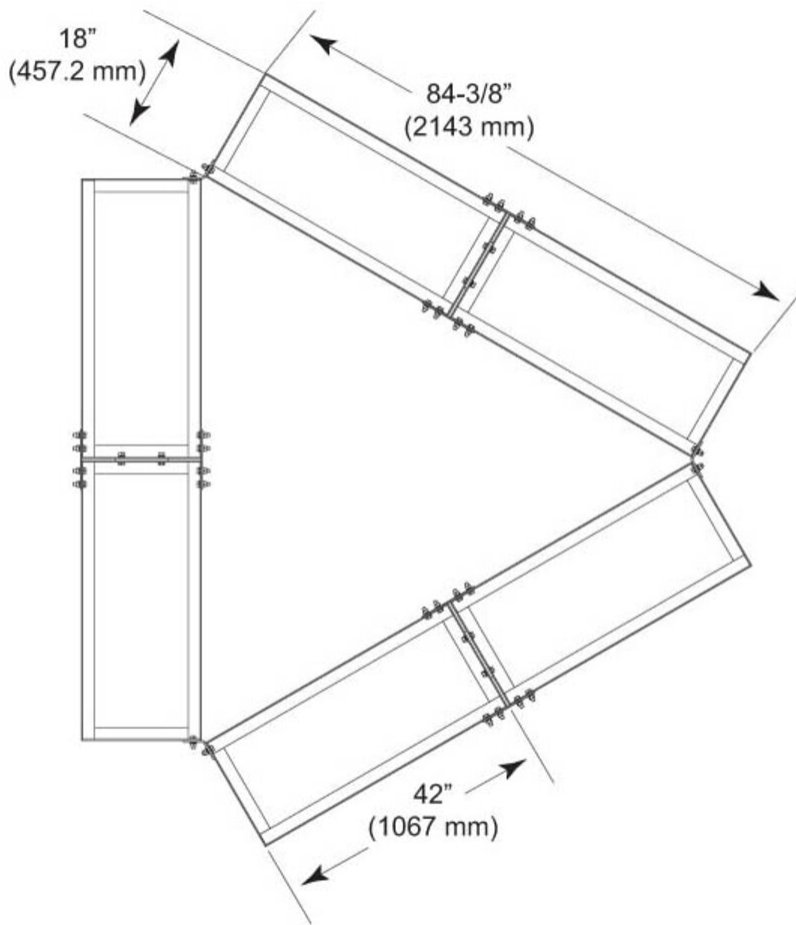
- Mounting** Non-penetrating

Dimensions

- Height** 3 in | 76.2 mm
- Width** 87 in | 2,209.8 mm
- Length** 7.3 ft | 2.225 m

MT-416

Outline Drawing



Material Specifications

Material Type Hot dip galvanized steel

Packaging and Weights

Included Sled

Packaging quantity 1

Weight, net 77.9 kg | 171.74 lb

Regulatory Compliance/Certifications

Agency **Classification**

MT-416

ISO 9001:2015

Designed, manufactured and/or distributed under this quality management system

