

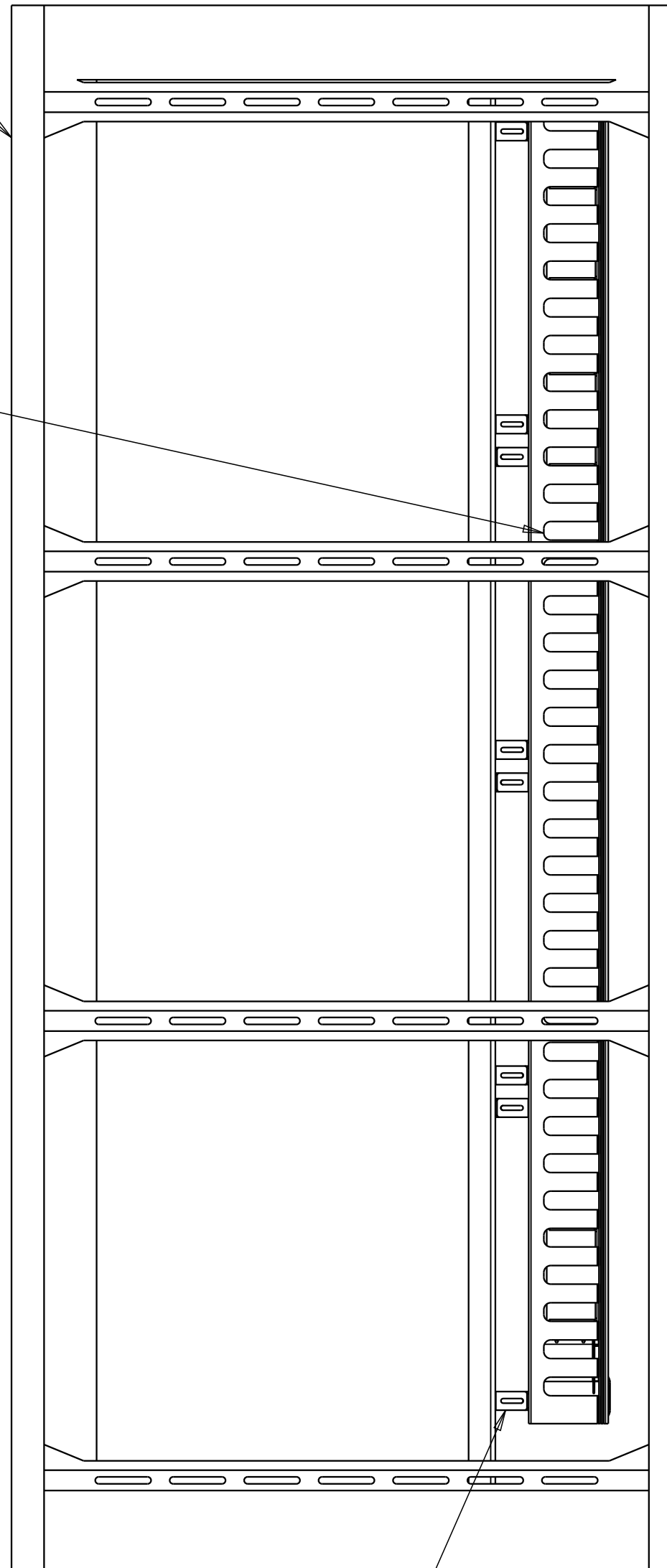
REV	MCO	DWN	DATE
B	40025116MCO	RAT	15-OCT-15
C	40032067MCO	OAVL	08-JUL-16

LEFT VIEW

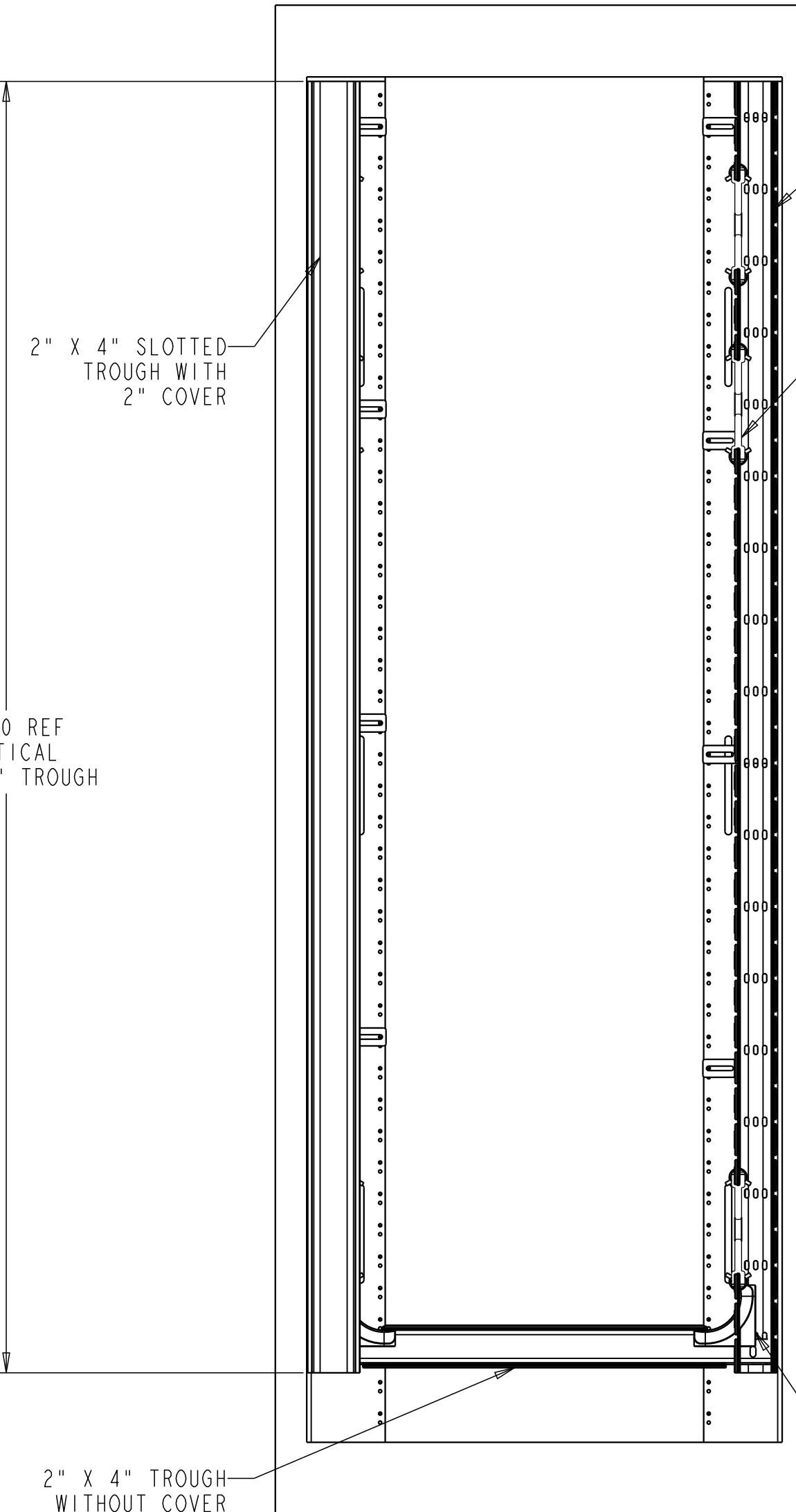
FRONT VIEW

MX960 EQUIPMENT SHOWN FOR REFERENCE ONLY

GROMMET 010 TO BE USE IN THIS AREA AS APPLY



BRACKETS



SLOTTED TROUGH SHOWN WITHOUT COVER FOR REFERENCE

FGS RADIUS LIMITER

2" X 4" SLOTTED TROUGH WITH 2" COVER

72.00 REF VERTICAL 4" X 4" TROUGH

2" X 4" TROUGH WITHOUT COVER FOR REFERENCE

90° INSIDE ELBOW

NOTES:

- 1 SNAP ON BOTTOM AND TOP POSITION OF THE 5 INCH CUTOUTS ON THE UPRIGHTS FGS RADIUS LIMITER WITH THE RETENTION BRACKET (ITEM 007 AND ITEM 008).
- 2 PRESS IN PLACE THE GROMMET EDGE PROTECTOR (ITEM 010) INTO THE VERTICAL SHARP EDGE THAT IS NOT COVER BY THE FGS RADIUS LIMITER.

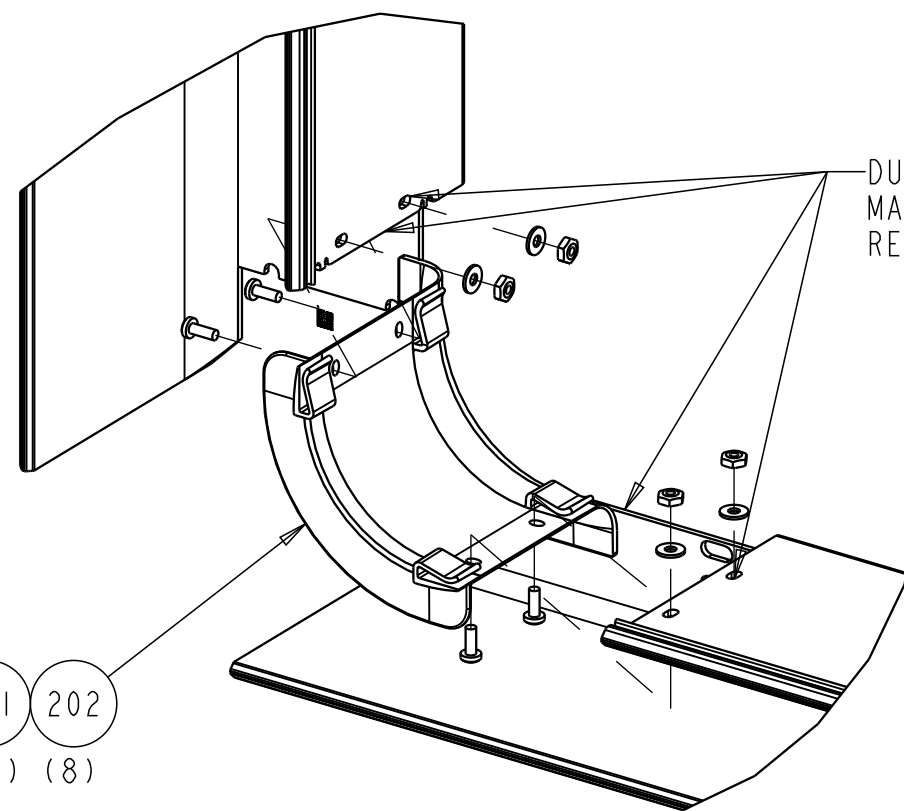
LIST OF PARTS FOR KIT		
ITEM	DESCRIPTION	QTY
001	FGS, VERT 2X4, 2" SPACING, YELLOW	2
002	FGS, HINGED COVER, EXT 2" YELLOW	2
005	BRACKETS KIT W/ 10 PCS	2
006	FGS - 4" ELBOW - 2" RADIUS LIMITER	2
007	FGS RADIUS LIMITER, LOW PROFILE	12
008	RETENTION BRK, LOW PROFILE	12
010	GROMMET, BLACK, U-CHANNEL, 3/8 DIA	14
011	FGS, 2X4 BOTTOM TROUGH, VER22 KIT	1
012	FGS, 2" COVER, VER22 KIT	1
200	SCREW #6-32	8
201	WASHER #6	8
202	NUT, #6-32	8

CATALOG NUMBER: FGS-KIT-VER22

COMMSCOPE, INC.

© 2016 COMMSCOPE, INC. CONFIDENTIAL NOTICE: THESE DRAWINGS AND SPECIFICATIONS ARE THE PROPRIETARY PROPERTY OF COMMSCOPE, INC. AND MAY BE USED ONLY FOR THE SPECIFIC PURPOSE AUTHORIZED IN WRITING BY COMMSCOPE, INC.		TITLE FIBER PROTECTION KIT MX960 (INSTALLATION DRAWING)	
ALL DIMS AND TOLERANCES ARE INCHES UNLESS OTHERWISE SPECIFIED		C SIZE	DRAWING NUMBER 300001727277
DO NOT SCALE DRAWING		ENGR: ERIK ESTRADA DWN: ERIK ESTRADA	SHT. 1 OF 2

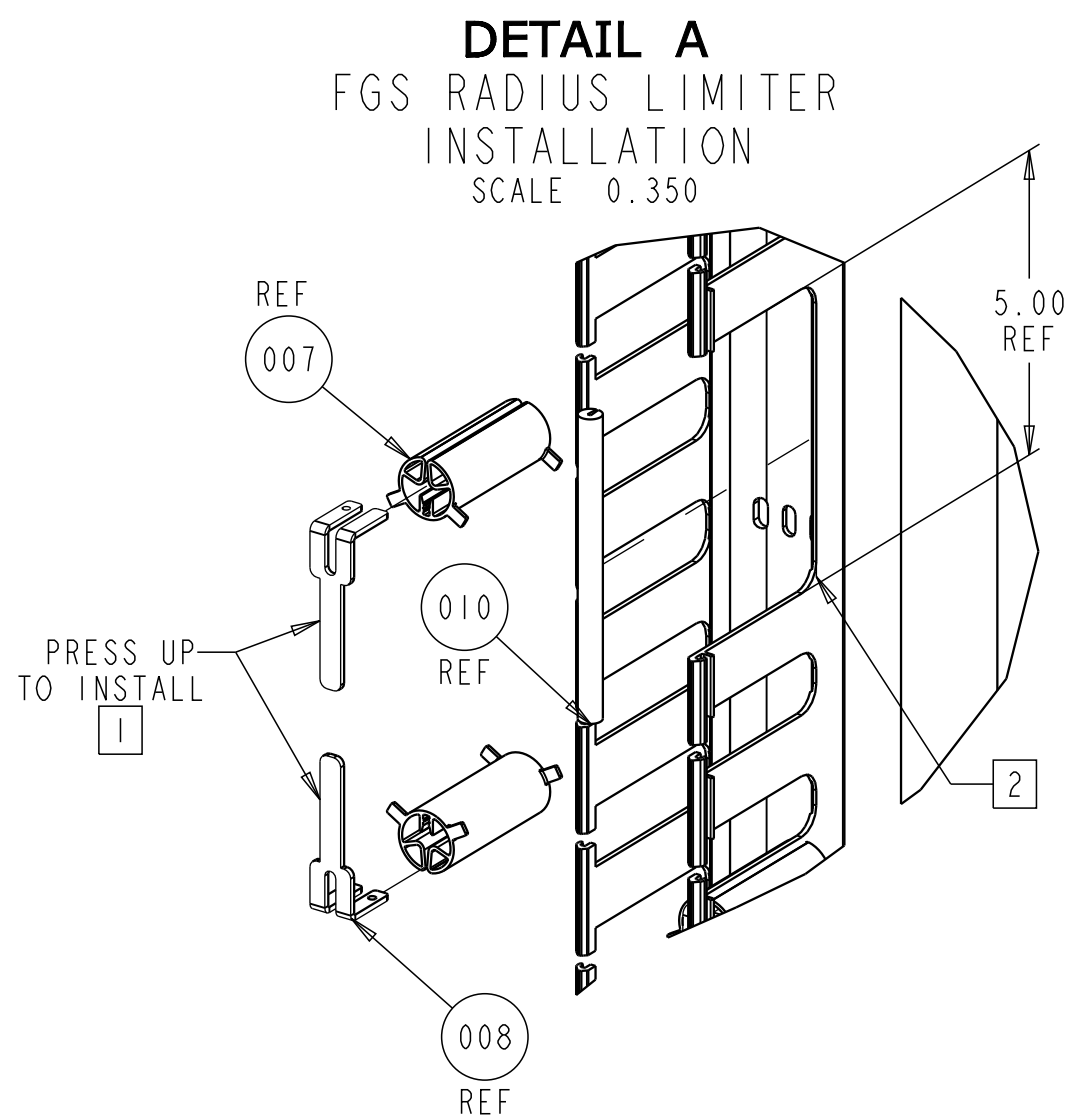
DIMENSIONS IN INCHES
THIRD ANGLE PROJECTION



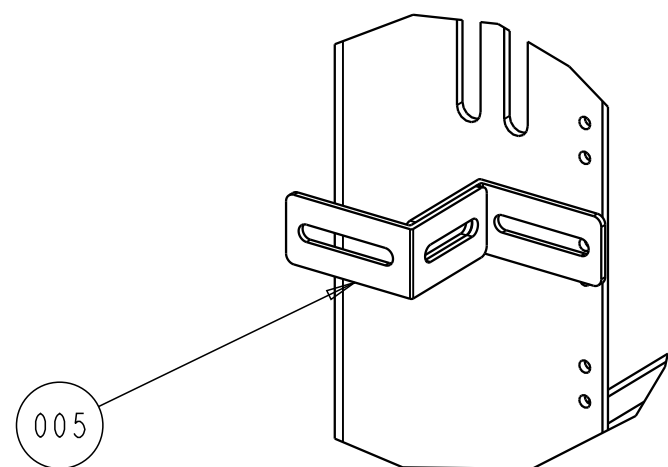
90° INSIDE ELBOW
INSTALLATION
SCALE 0.400

DUCTS WITH SLOTS AND OTHER
MATERIAL REMOVED SHOWN FOR
REFERENCE ONLY

NOTE:
CUT OUTS FOR VERTICAL
TROUGH ARE SHOWN FOR
REFERENCE ONLY



DETAIL A
FGS RADIUS LIMITER
INSTALLATION
SCALE 0.350



INSTALLATION AND
POSITION OF BRACKETS
FOR REFERENCE ONLY

DETAIL B
SCALE 0.400

INSTALLATION BRACKET
INSTRUCTIONS INCLUDED
ON THE KIT

SEE DETAIL B

SEE DETAIL A

001 (2) 002 (2)

011 012

CATALOG NUMBER: FGS-KIT-VER22

COMMSCOPE, INC.

© 2016 COMMSCOPE, INC. CONFIDENTIAL NOTICE: THESE DRAWINGS AND SPECIFICATIONS ARE THE PROPRIETARY PROPERTY OF COMMSCOPE, INC. AND MAY BE USED ONLY FOR THE SPECIFIC PURPOSE AUTHORIZED IN WRITING BY COMMSCOPE, INC.		TITLE FIBER PROTECTION KIT MX960 (INSTALLATION DRAWING)	
ALL DIMS AND TOLERANCES .XX:±REF ARE INCHES UNLESS .XXX:±REF OTHERWISE SPECIFIED ANGULAR:±REF	C SIZE	DRAWING NUMBER 300001727277	C REV
DO NOT SCALE DRAWING	ENGR: ERIK ESTRADA DWN: ERIK ESTRADA	SHT. 2 OF 2	

**DIMENSIONS IN INCHES
THIRD ANGLE PROJECTION**