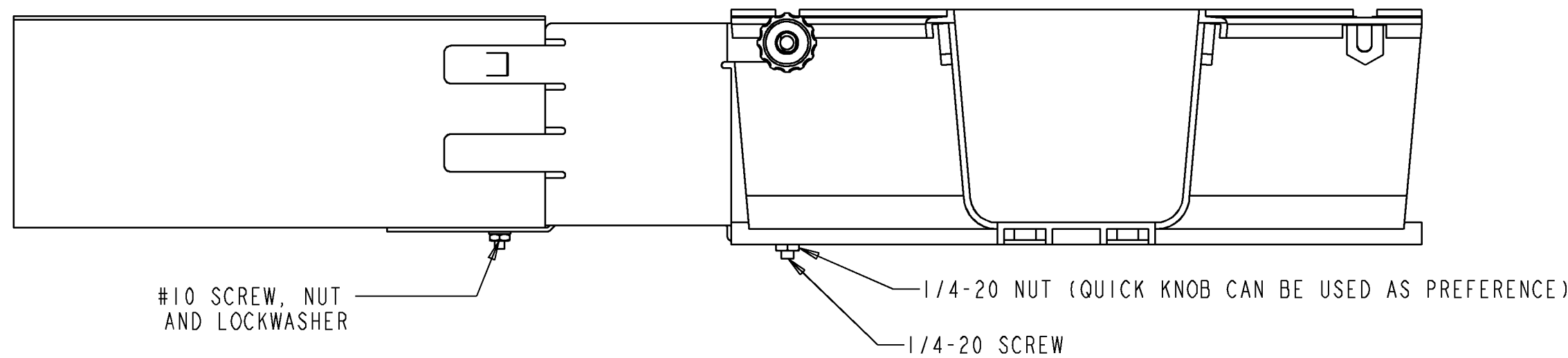
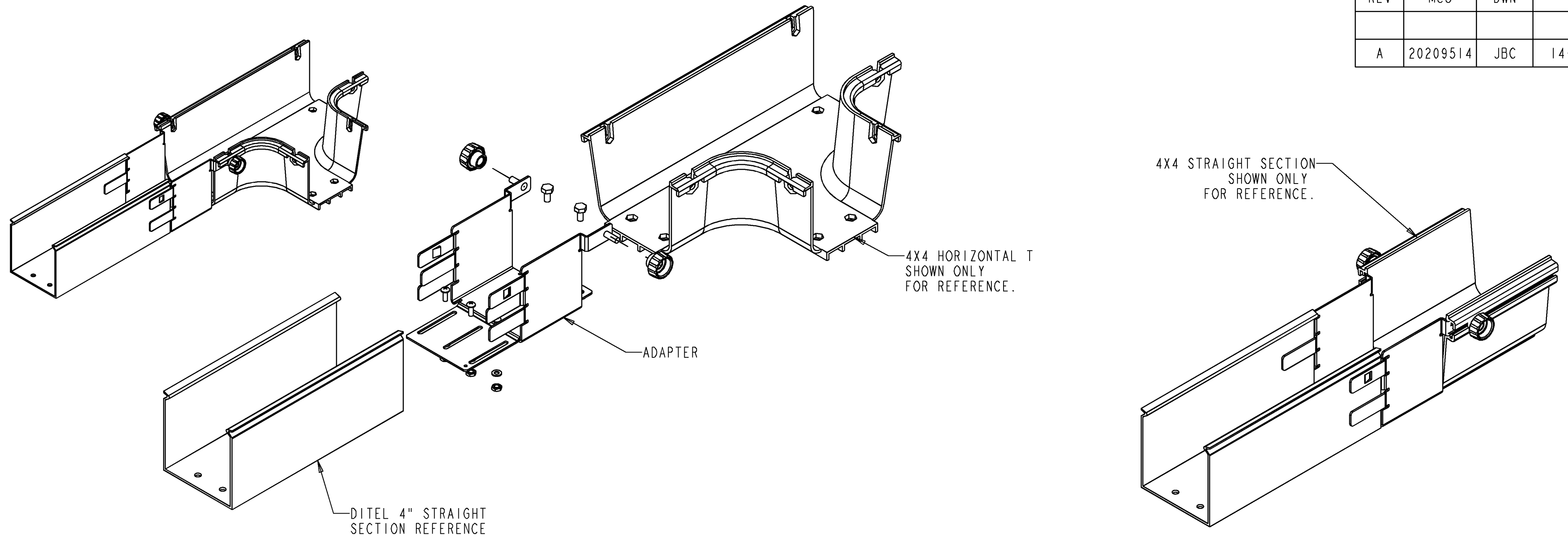


| REV | MCO | DWN | DATE |
|-----|----------|-----|-----------|
| A | 20209514 | JBC | 14-MAR-07 |



NOTES:

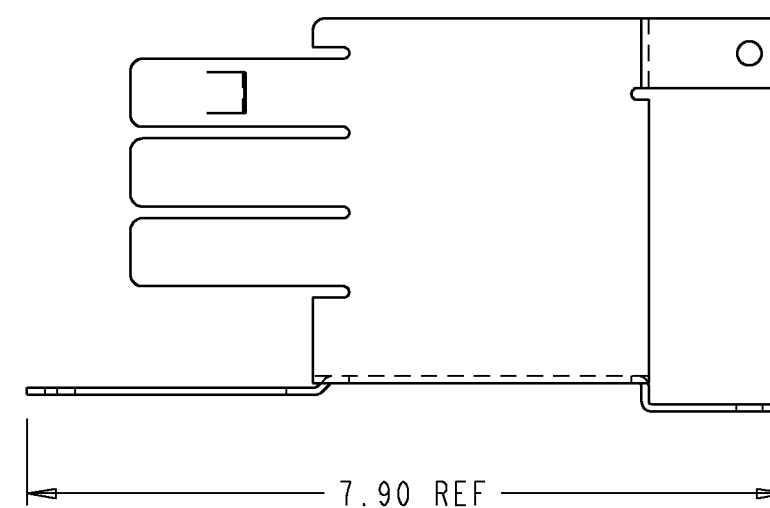
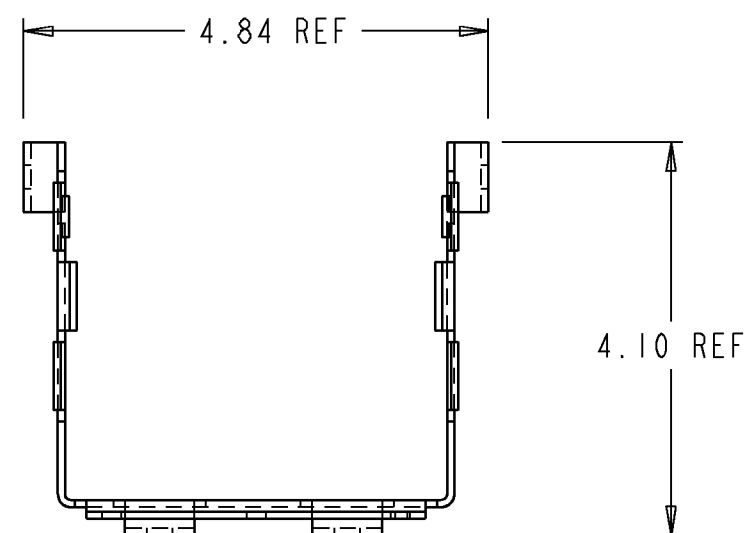
1. PARTS INCLUDED WITH KIT ARE AS FOLLOWS:

- (1) ADAPTER
- (2) 1/4-20 HEX SCREW
- (2) 1/4-20 NUT
- (3) SCREW 10-32
- (3) WASHER #10
- (3) NUT 10-32
- (4) KNOB PLASTIC

NOTE: EXTRA PARTS CAN BE INCLUDED.

ATTACHING THE ADAPTER TO THE DITEL LINK:

- 2. MATE THE ADAPTER TO THE DITEL COMPONENT AS SHOWN. SIDES OF THE ADAPTER WILL NEED TO BE SQUEEZED INWARD SLIGHTLY. USE THE 10-32 SCREW, NUT AND WASHER.
- 3. MATE THE ADAPTER TO THE ADC GUIDE WITH KNOBS AND 1/4-20 SCREW AND NUT.
- 4. CUT AND APPLY TAPE ALONG SEAMS WHERE THE ADAPTER MEETS THE TROUGH



CATALOG#: FGS-ACC046



INFORMATION ON THIS DOCUMENT IS PROPRIETARY TO ADC AND SHALL NOT BE USED, COPIED, REPRODUCED OR DISCLOSED IN WHOLE OR IN PART WITHOUT WRITTEN CONSENT OF ADC.

ALL DIMS AND TOLERANCES .XX:±N/A ARE INCHES UNLESS .XXX:±N/A OTHERWISE SPECIFIED ANGULAR:±N/A

DO NOT SCALE DRAWING

TITLE KIT, 4" DITEL ADAPTER (INSTALLATION DRAWING)

DRAWING NUMBER 1397416

ENGR: J. BARRAZA DWN: J. BARRAZA SHT. 1 OF 1

DIMENSIONS IN INCHES
THIRD ANGLE PROJECTION