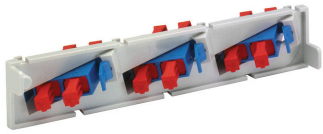


FL2-ADAPTER-PACKS



FL2000 Fiber Optic Adapter-pack

- FL2000 is a multi-purpose modular solution ideal for cabinet, rack, wall mount or medium size frame applications, ideal for small to medium size fiber counts
- FL2000 adapter packs can be ordered with adapters only or with pre-terminated three- or five-meter pigtails

All FL2000 panels accommodate 6pak adapters. 6paks are available in all connector styles and can be ordered as needed. CommScope's removable angled retainers allow easy access for single fiber maintenance. Two types of FL2 6pack adapter plates are offered:

6pak Adapter Plates

- Completely interchangeable between FL2000 panel, FL1000 rack and wall box products
- Can be ordered with all standard types of adapters and connectors
- Feature CommScope's removable angled retainers which provide superior fiber management
- No tools required to install into FL2000 and FL1000 products

6pak Adapter Plates with Pigtails

- Can be purchased and installed as growth necessitates
- Available with preterminated three- or five-meter pigtails
- Pigtails consist of a single outer jacket containing six color-coded 900 μm fibers
- One end of pigtail terminated with chosen connector style and installed into the 6pak adapters
- Saves installation time

Product Classification

Regional Availability	North America
Portfolio	CommScope®
Product Type	Fiber adapter pack Fiber adapter pack with pigtails Fiber adapter pack, blank
Product Series	FL2000

General Specifications

Application	For use with FL2 panels
Color, front	Putty white
Interface	LC/APC LC/UPC SC/APC SC/UPC

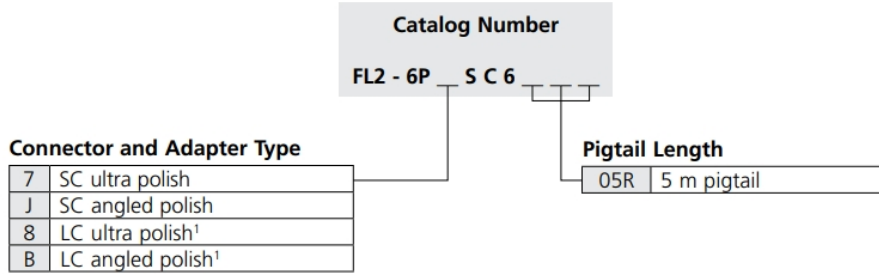
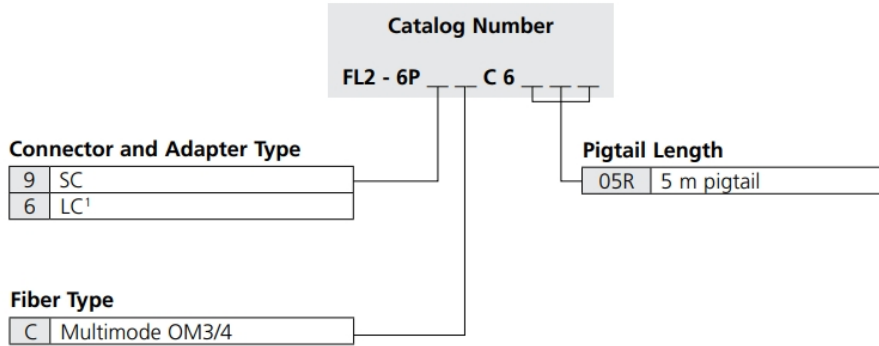
Dimensions

Height	27.94 mm 1.1 in
---------------	-------------------

FL2-ADAPTER-PACKS

Width 149.86 mm | 5.9 in

Ordering Tree



¹ LC 6paks are loaded with 12-fiber pigtails

Optical Specifications

Fiber Mode Multimode | Singlemode

Packaging and Weights

Packaging quantity 1