

LSX-SPLTR-MODULES

Base Product



LGX VAM Fiber Optic Splitter Module

CommScope's Value-Added Module (VAM) system adds flexibility and functionality to the optical transport system by enabling service providers to easily incorporate optical components into the network. This versatile platform lays the foundation for the optical network of the future.

CommScope's VAM Modules feature:

- Enclosed Plug-in modules protect the optical components from physical and environmental damage
- Angled retainers maintain minimum bend radius of fiber patch cords
- Pluggable modules can be added or removed from the chassis without interfering with existing terminated patch cords
- Flexible platform: modules can be created for new applications quickly and easily to meet customer requirements
- Custom configurations are available upon request

The LSX VAM Splitter system consists of a variety of optical component modules that fit into the LSX ODF VAM panels.

Splitter applications include:

- Signal Splitting, distributing signals to multiple subscribers
- Monitor Testing, troubleshooting networks or monitor traffic without forcing disruption of service

Product Classification

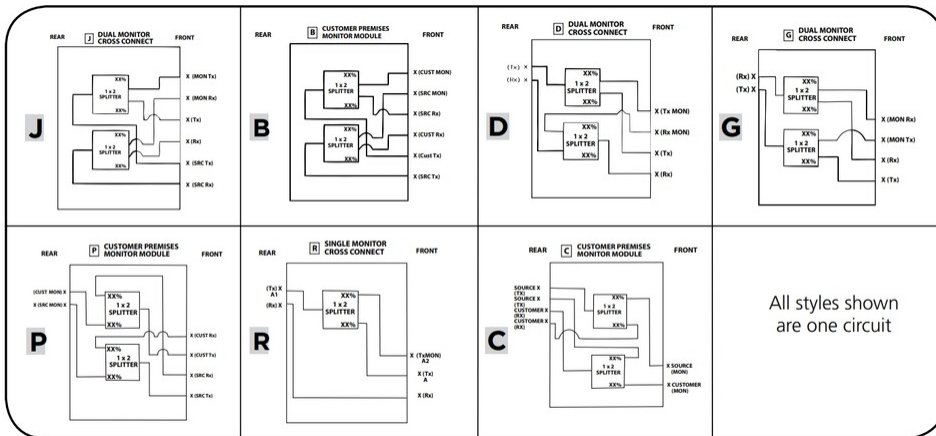
Regional Availability	Asia Australia/New Zealand EMEA Latin America North America
Portfolio	CommScope®
Product Type	Splitter module
Product Series	LSX

General Specifications

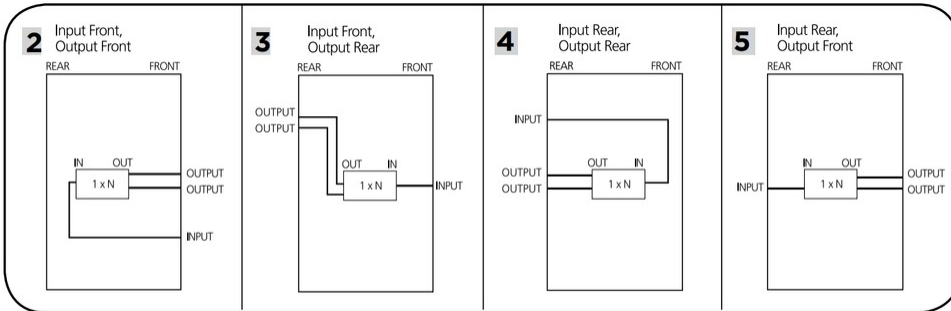
Access	Front Rear
Application	For use with LSX panels
Interface, Input	LC/APC LC/UPC SC/APC SC/UPC

Port Configuration

LSX-SPLTR-MODULES

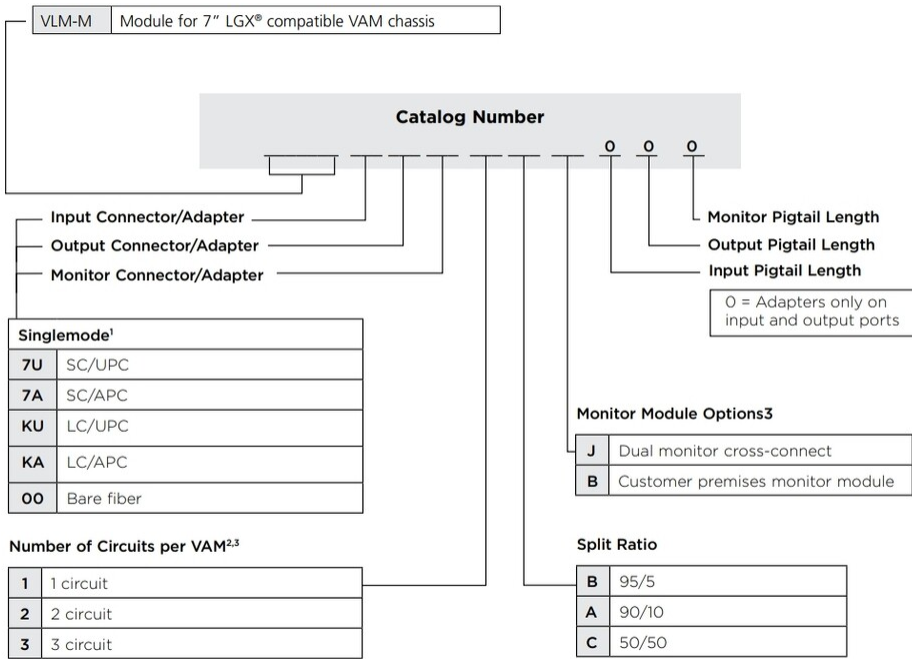


All styles shown are one circuit

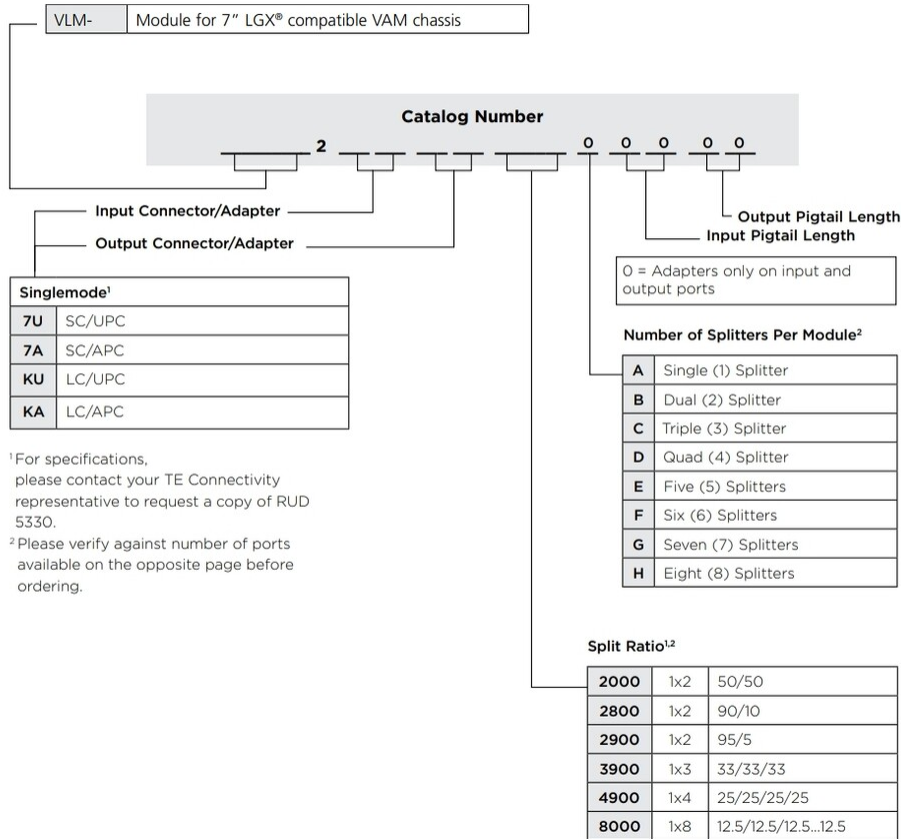


Ordering Tree

LSX-SPLTR-MODULES



LSX-SPLTR-MODULES



Environmental Specifications

Environmental Space Indoor

Packaging and Weights

Packaging quantity 1