



## RMG Series Rack Mount Fiber Enclosures

---

The RMG Series rack mount fiber enclosure is as an integral part of the CommScope product portfolio. The RMG Series fiber enclosure provides rugged and durable protection for patching or splicing of fiber cables. Especially designed to be user friendly, the slide-out design and removable front and rear panels provide convenient access points.

The RMG Series offers a cost effective and high-density rack mount fiber enclosure in one, two and four rack unit sizes. Its modular design and flexible configurations make it very user friendly and easy to install.

### Features

- 1 RU and 2 RU units contain sliding and removable front and rear access panels, providing convenient access points
- Designed for 48.26 cm (19-inch) EIA rack or cabinet environment; optional brackets to accommodate 58.42 cm (23-inch) rack or cabinet mounting
- Density: up to 72 terminations in 1 RU
- Low profile design with higher density for space limited applications
- User friendly design utilizing industry standard LSX/LGX modular adapter packs
- Side and rear cable entry points on back of panel supports a wide range of deployment applications

### Applications and Benefits

- High-density makes suitable for telecommunications and equipment rooms
- Can be cabinet mounted for data center applications

# RMG Series Rack Mount Fiber Enclosures

## Specifications

**Storage/operating temperature:** -40 °C to 85 °C (-40 °F to 185 °F)

### Approximate weight (empty panel)

**1 RU model:** 5.44 Kg (12 lbs)

**2 RU model:** 5.90 Kg (13 lbs)

**4 RU model:** 6.80 Kg (15 lbs)

### Configuration options and capacity

#### Termination only

**1 RU maximum density<sup>1</sup>:** 72 terminations

**2 RU maximum density<sup>1</sup>:** 144 terminations

**4 RU maximum density<sup>1</sup>:** 288 terminations

#### Termination/splice

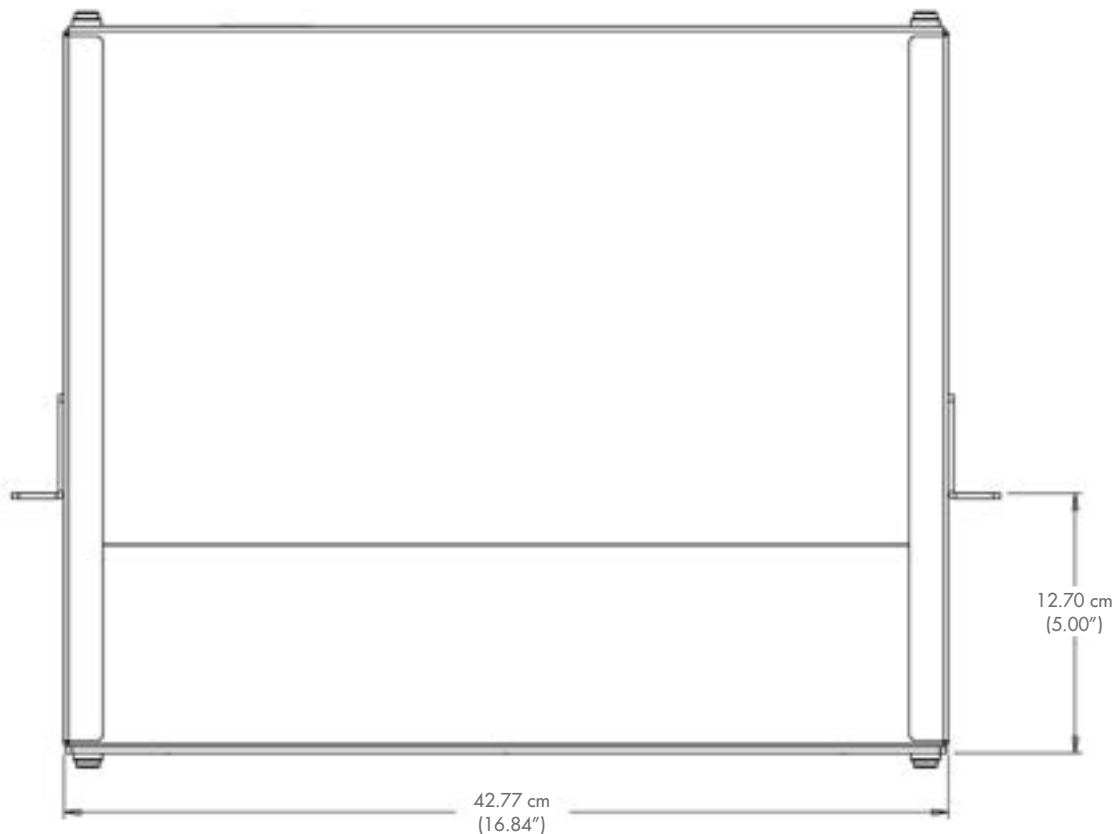
**1 RU maximum density:** 36 terminations

**2 RU maximum density:** 72 terminations

**4 RU maximum density:** 144 terminations

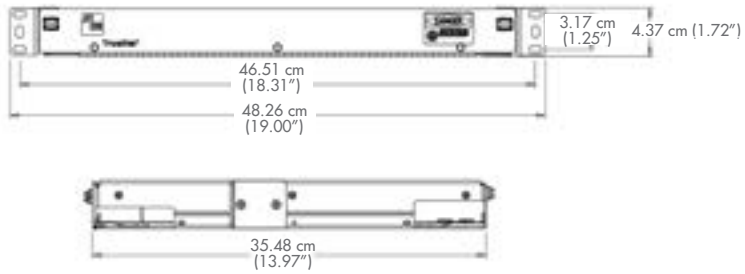
<sup>1</sup> Maximum density achieved using quad LC connectors.

## 1 RU, 2 RU and 4 RU

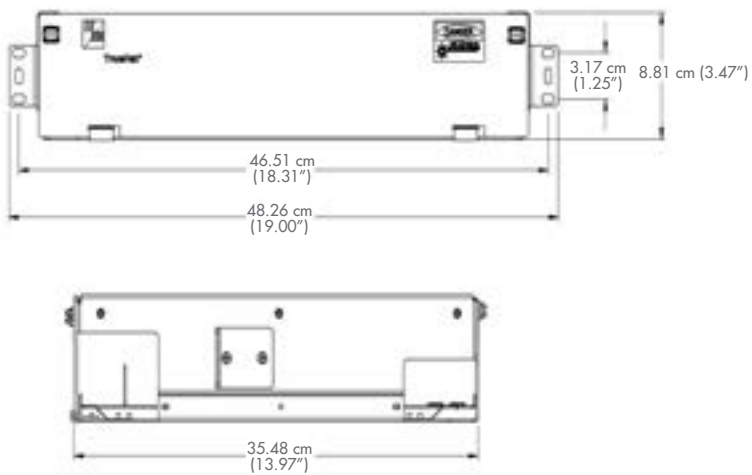


# RMG Series Rack Mount Fiber Enclosures

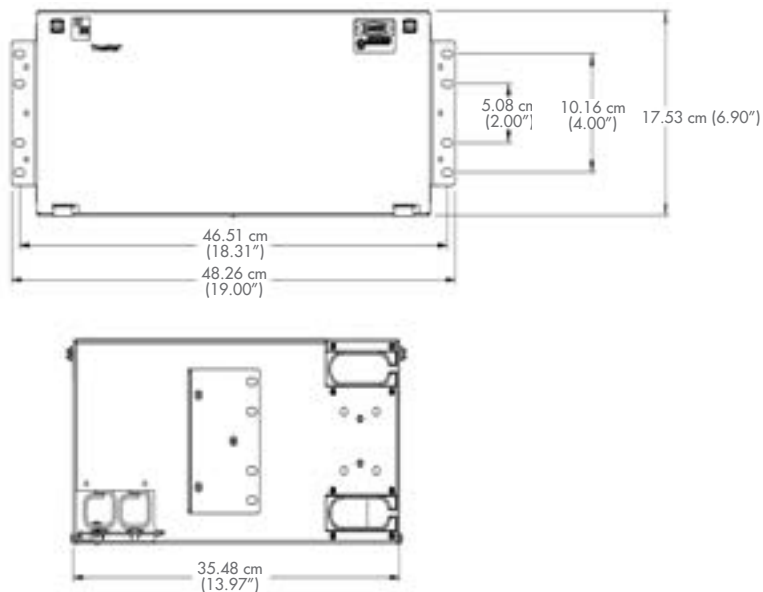
## 1 RU Model



## 2 RU Model



## 4 RU Model



# RMG Series Rack Mount Fiber Enclosures

## RMG Empty Panels

The RMG empty panel with blank panels includes 48.26 cm (19-inch) EIA mounting brackets and hardware, polycarbonate front door, cable ties, cable management rings and circuit identification cards. The RMG empty panel allows for the user to mix and match any combination of modular adapter packs or simply utilize a “grow as you go” approach to their network.

## Features

- Mounting options:
  - Shipped with standard 48.26 cm (19-inch) EIA rack or cabinet mounting hardware
  - Optional brackets to accommodate 58.42 cm (23-inch) EIA rack or cabinet mounting
- Ability to quickly and easily configure, utilizing the modular adapter pack

## Ordering Information

Product Description	Panel Height	Catalog Number
Rack or Cabinet Mount Panel, black		
1 RU empty panel; accommodates 3 modular adapter packs; black	4.45 cm (1.75")	RMG-1000-000B
2 RU empty panel; accommodates 6 modular adapter packs; black	8.89 cm (3.50")	RMG-2000-000B
4 RU empty panel; accommodates 12 adapter packs; also includes cable management bracket and cable clamp; black	17.78 cm (7.00")	RMG-4000-000B
Accessories		
Cable Clamp Kit (for 1 RU and 2RU)		RMG-ACC001
Blank Plates		RMG-00ADP00
Splice Tray (Splice Tray Capacity: 24 fibers)		
Heat shrink fusion		FST-DV-HS
Mechanical (Splice Tray Capacity: 24 fibers)W		FST-D-MT
Extender Brackets; 48.26 cm (19" - 23")		
1 RU		EB-17B
2 RU		EB-35B
Q-Frame 4RU Chassis Mounting Bracket		RMG-ACCQBRKT4RU

# RMG Series Rack Mount Fiber Enclosures

## RMG Standard Adapter Packs

The RMG Series offers a variety of standard modular adapter packs to accommodate most applications. They utilize the industry standard LSX/LGX footprint and are readily available.



## Ordering Information

Description	Equivalent to Part Number	Part Number
<b>OM1/OM2 multimode adapter only packs</b>		
LC adapters, beige color 12 duplex adapters or 24 fiber per adapter pack	RMG-24ADPQ3	1435516-2
LC adapters, beige color 6 duplex adapters or 12 fiber per adapter pack	RMG-12ADPQ1	1374463-2
SC duplex adapters, beige color 6 duplex adapters or 12 fiber per adapter pack	RMG-12ADPC3	559596-1
SC adapters, beige color 6 duplex adapters or 6 fiber ports per adapter pack	RMG-06ADPC1	559558-1
ST adapters 6 duplex adapters or 6 fiber ports per adapter pack	RMG-06ADPT1	559557-1
<b>OM3/OM4 multimode adapter only packs<sup>1</sup></b>		
LC adapters, aqua color 12 duplex adapters or 24 fiber per adapter pack	RMG-24ADPQ4	1435516-5
LC adapters, aqua color 6 duplex adapters or 12 fiber per adapter pack	RMG-12ADPQ2	1374463-5
SC adapters, aqua color 6 duplex adapters or 12 fiber per adapter pack	RMG-12ADPC4	559596-6
SC adapters, aqua color 6 duplex adapters or 6 fiber per adapter pack	RMG-06ADPC2	559558-6
<b>Singlemode adapter only packs</b>		
LC UPC adapters, blue color 12 duplex adapters or 24 fiber per adapter pack	RMG-24ADPQ8	14355161-1
LC UPC quad adapters, blue color 6 adapters or 12 fiber per adapter pack	RMG-12ADPQ5	1374463-1
SC UPC duplex adapters, blue color 6 adapters or 12 fiber per adapter pack	RMG-12ADPC8	559596-2
SC UPC adapters, blue color 6 adapters or 6 fiber per adapter pack	RMG-12ADPC7	559558-2
ST UPC adapters 6 adapters or 6 fiber per adapter pack	RMG-06ADPT2	559515-2

<sup>1</sup> CommScope recommends the use of aqua colored adapters with laser-optimised multimode fiber for 10 Gigabit applications for circuit identification.

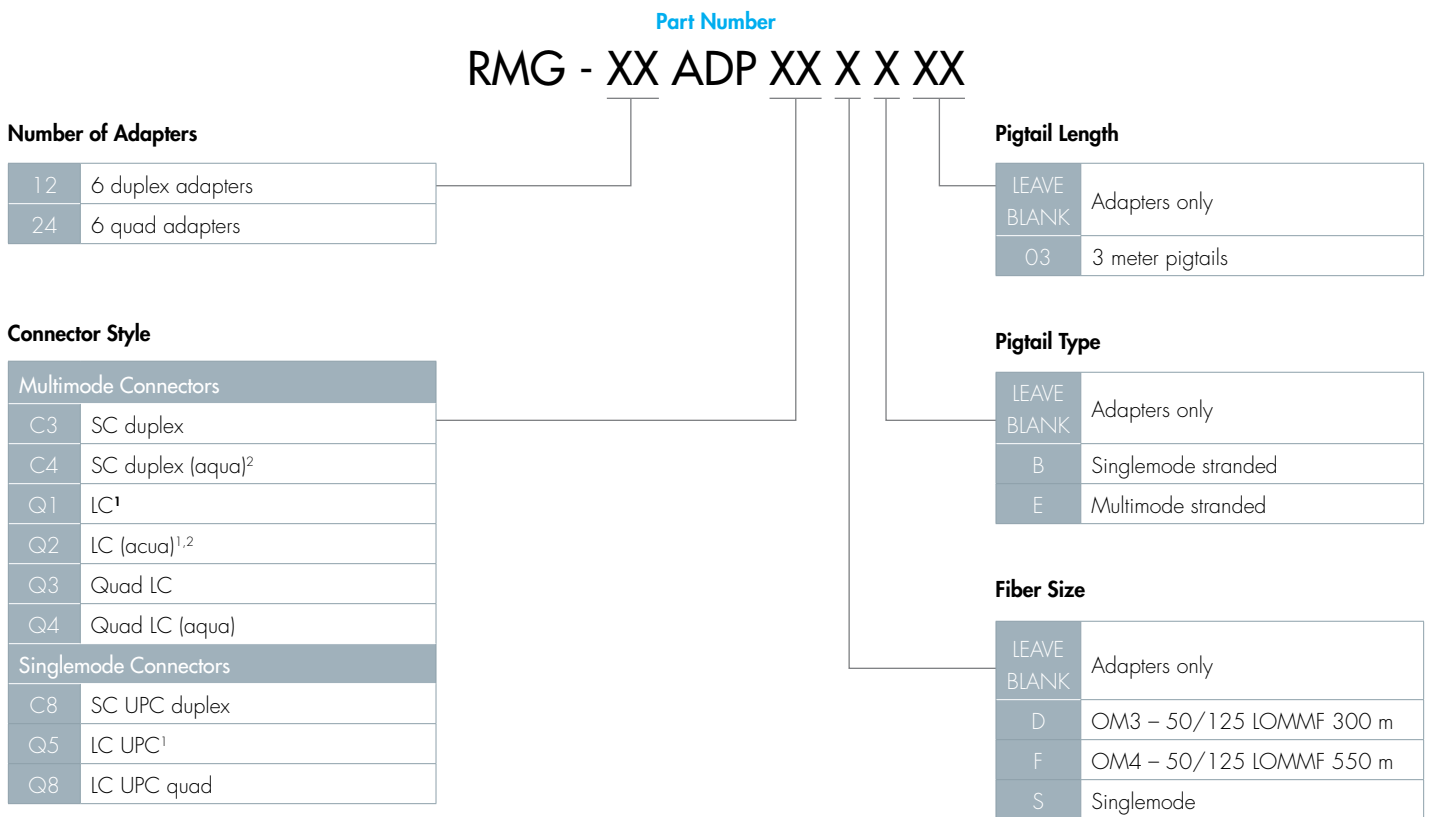
# RMG Series Rack Mount Fiber Enclosures

## Custom Modular Adapter Packs

CommScope's RMG modular adapter pack assemblies can be used in any of the RMG series fiber enclosures in a variety of connector styles and with or without preterminated 3 m (9.84') pigtailed. Its modular design is user friendly and easy to install. Use the following matrix to configure the correct catalog number for the application. If the resulting catalog number is not on the standard list, the product is considered custom and may have longer lead times.

### Features

- Can be ordered with all standard types of duplex multimode and singlemode adapters
- Available with preterminated 3 m (9.84') pigtailed to reduce installation time and cost
- One end of pigtail terminated to chosen connector style and installed into adapter pack plug-in adapters



<sup>1</sup> LC adapters terminate two fibers at each adapter and should be considered duplex adapters in this ordering scheme  
<sup>2</sup> CommScope recommends the use of aqua adapters with multimode Ultra fiber to visually identify 10 Gigabit circuits

## RMG Series Rack Mount Fiber Enclosures

---

### RMG Maximum Capacity by Adapter Style and Chassis Height

#### Termination Only Application

Chassis Height (in Rack Units)/ Application	Maximum Number of Fiber Terminations in Chassis	Maximum Number of Adapter Packs per Chassis	Number of Fiber Terminations per Adapter Pack	Adapter Style
1	18	3	6	Simplex SC,
1	36	3	12	Duplex SC, standard LC,
1	72	3	24	Quad LC
2	36	6	6	Simplex SC,
2	72	6	12	Duplex SC, standard LC,
2	144	6	24	Quad LC
4	72	12	6	Simplex SC,
4	144	12	12	Duplex SC, standard LC,
4	288	12	24	Quad LC

#### Termination/Splice Application

Chassis Height (in Rack Units)/ Application	Maximum Number of Fiber Terminations in Chassis	Maximum Number of Adapter Packs per Chassis	Number of Fiber Terminations per Adapter Pack	Adapter Style
1	18	3	6	Simplex SC,
1	36	3	12	Duplex SC, standard LC,
1	48	2	24	Quad LC
2	36	6	6	Simplex SC,
2	72	6	12	Duplex SC, standard LC,
2	96	4	24	Quad LC
4	72	12	6	Simplex SC,
4	144	12	12	Duplex SC, standard LC,
4	144	12	24	Quad LC



[www.commscope.com](http://www.commscope.com)

Visit our website or contact your local CommScope representative for more information.

© 2015 CommScope, Inc. All rights reserved.

All trademarks identified by ® or ™ are registered trademarks or trademarks, respectively, of CommScope, Inc. This document is for planning purposes only and is not intended to modify or supplement any specifications or warranties relating to CommScope products or services.

PS-101417-AE (11/15) [Revised from 101417.2AE]