



**PRODUCT
SPECIFICATION**



ValuLine[®] III Next Generation Antennas VHLP2.5

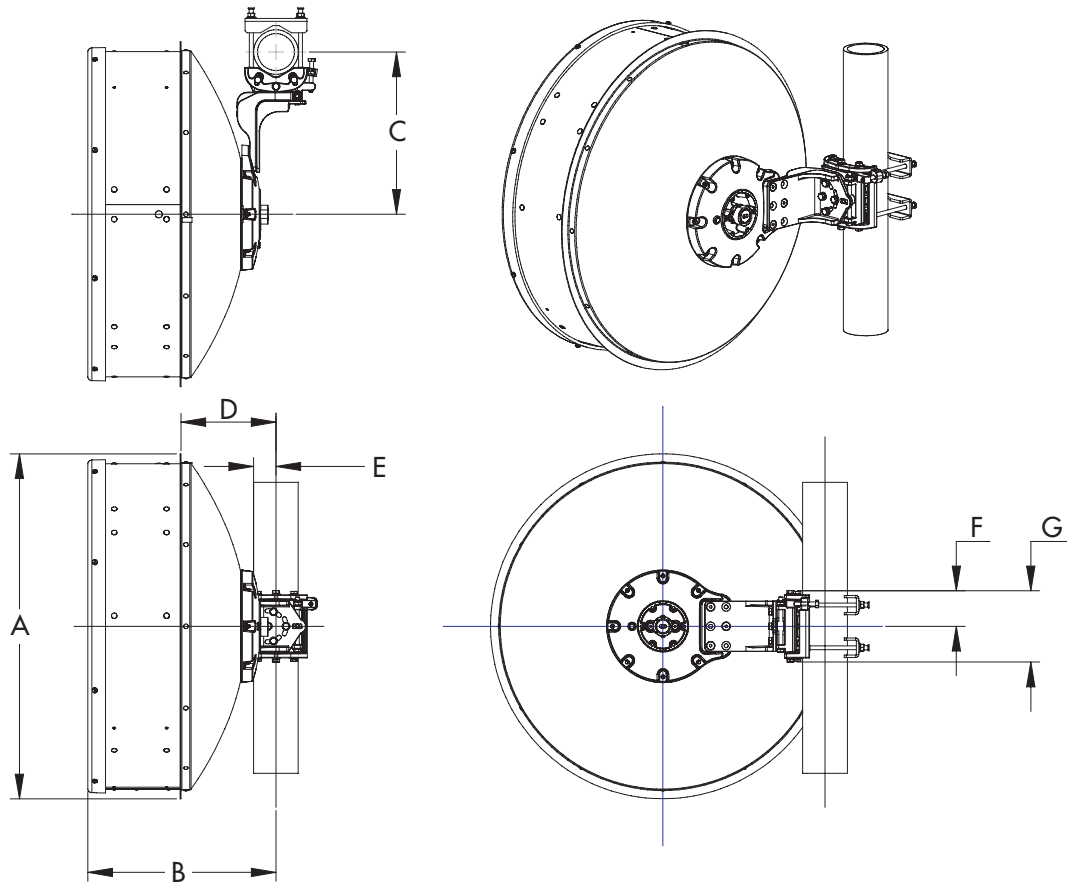
SPECIFICATIONS

	VHLP2.5-7W	VHLP2.5-10W	VHLP2.5-11	VHLP2.5-13	VHLP2.5-15	VHLP2.5-18	VHLP2.5-23	VHLP2.5-26
Frequency Band, GHz	7.125–8.5	10.0–10.7	10.7–11.7	12.7–13.25	14.25–15.35	17.7–19.7	21.2–23.6	24.25–26.5
Bottom Band Gain, dBi	33.2	36.3	36.8	38.2	39.3	40.5	42.5	43.7
Mid Band Gain, dBi	33.9	36.7	37.5	38.4	39.7	41.0	43.0	44.1
Top Band Gain, dBi	34.4	37.0	38.1	38.6	40.1	41.4	43.4	44.5
Beamwidth, degrees	3.3	2.7	2.1	2.1	1.8	1.5	1.2	1.0
Front/Back, dB	60	63	63	65	68	69	72	72
XPD, dB	32	30	30	30	30	30	30	30
Return Loss, dB	17.7	17.7	17.7	17.7	17.7	17.7	17.7	17.7
Regulatory Compliance								
ETSI Class	R1 C3	R1 C3	R1 C3	R1 C3	R2 C3	R2 C3	R3 C3	R4 C3
FCC Part 10	N/A	CAT A	CAT B	N/A	N/A	CAT A	CAT A	CAT A
Brazil Anatel	C2	C2	C2	C2	C2	C2	C2	C2
Canada SRSP	N/A	310.5	N/A	312.7B	314.5A	317.8A	321.8A	N/A
Andrew RPE Number	7077	7087	7041	7047	7053	7059	7065	7071

One Company. A World of Solutions.

SPECIFICATIONS

ValuLine® III Next Generation Antennas—VHLP2.5



Antenna Dimensions, mm (in)

A	889.00 (35.0)
B	485.30 (19.1)
C	418.00 (16.5)
D	244.75 (7.2)
E	57.60 (2.3)
F	91.70 (3.6)
G	184.00 (7.2)

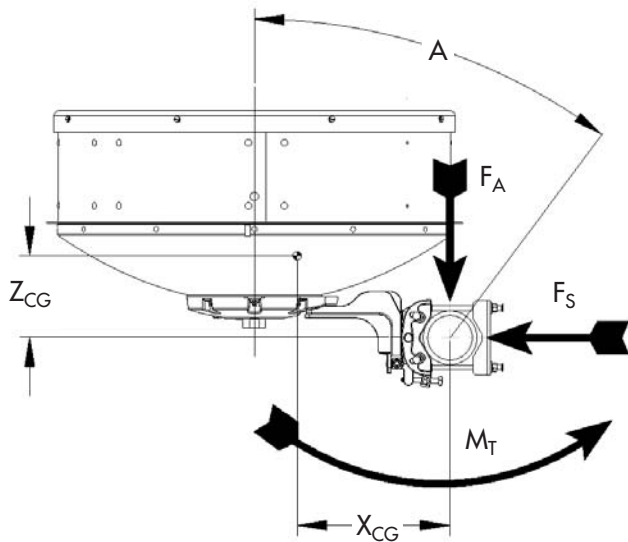
Antenna Fine Adjustment

Fine Azimuth	$\pm 10^\circ$
Fine Elevation	$\pm 25^\circ$

ValuLine® III Next Generation Antennas—VHLP2.5

Wind Loading

The axial, side, and twisting moment forces stated below are the maximum loads applied to the tower by the antenna at a survival windspeed of 200 km/h (125 mph). They are the result of wind from the most critical direction for each parameter. The individual maximums may not occur simultaneously. All forces are referenced to the antenna mounting pipe.



Axial force	F_A	1500 N
Side force	F_S	743 N
Moment	M_T	673 N·m
Angle A for M_T maximum	-30°	
Z_{CG} * without ice, mm (in)		180.3 (7)
X_{CG} without ice, mm (in)		304.4 (11.98)

* Z_{CG} is the axial distance from the center of gravity to the mounting pipe.

Antenna Weights Including Mount

Antenna Without Ice, kg (lb)	21.6 (47.6)
Antenna with 25 mm (1.0 in) Radial Ice, kg (lb)	34.5 (76.1)

Antenna Packed Weights (Gross)

Weight, kg (lb)	30 (66.1)
-----------------	-----------

Packed Antenna Dimensions (Single Unit Pack)

Dimensions, cm (in)	90 x 90 x 65 (35.5 x 35.5 x 25.0)
---------------------	-----------------------------------



One Company. A World of Solutions.

Andrew Corporation
3 Westbrook Corporate Center
Suite 900
Westchester, IL 60154 USA

Customer Support Center
From North America
Telephone: 1-800-255-1479
Fax: 1-800-349-5444

International
Telephone: +1-708-873-2307
Fax: +1-779-435-8579

Internet: www.andrew.com

All designs, specifications, and availabilities of products and services presented in this bulletin are subject to change without notice.

Bulletin PA-100912.4-EN (10/07)

© 2007 Andrew Corporation, Westchester, IL 60154 USA