



**PRODUCT
SPECIFICATION**



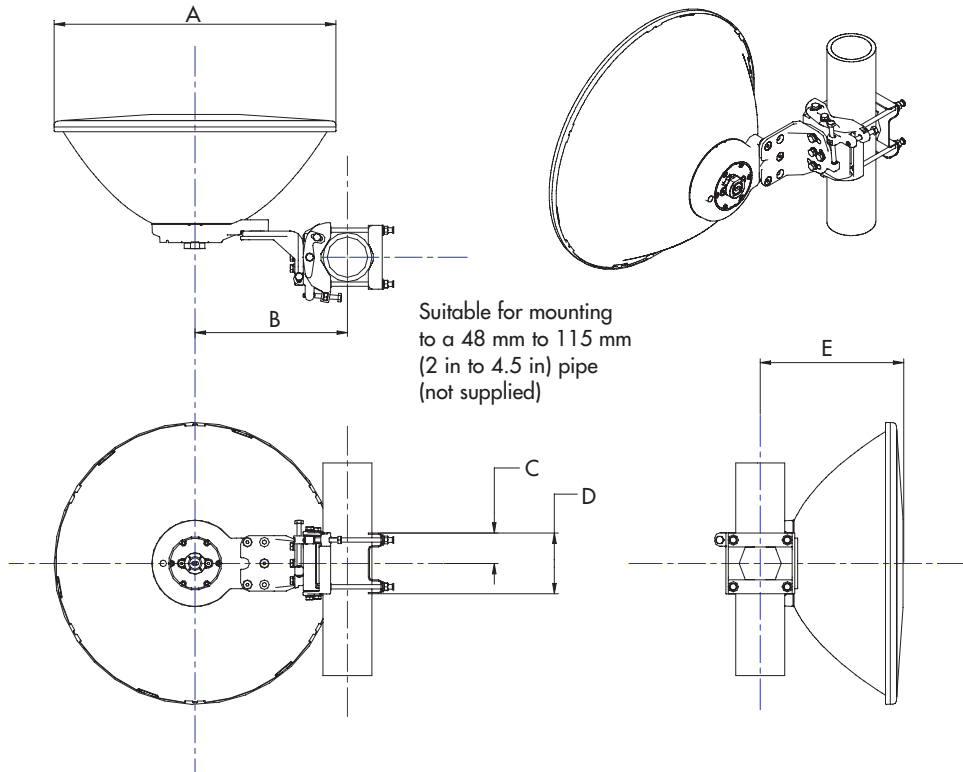
ValuLine® III Next Generation Antennas VHLPX2

SPECIFICATIONS

	VHLPX2-7W	VHLPX2-10W	VHLPX2-11	VHLPX2-13	VHLPX2-15	VHLPX2-18	VHLPX2-23	VHLPX2-26	VHLPX2-28	VHLPX2-32	VHLPX2-38
Frequency Band, GHz	7.125–8.5	10.55–10.68	10.7–11.7	12.70–13.25	14.25–15.35	17.7–19.7	21.2–23.6	24.25–26.5	27.5–29.5	31.8–33.4	37.0–40.0
Bottom Band Gain, dBi	29.4	33.6	34.0	35.5	36.5	38.2	39.7	40.8	41.6	43.2	44.3
Mid Band Gain, dBi	30.6	33.7	34.4	35.8	36.8	38.7	40.2	41.2	42.2	43.6	45.2
Top Band Gain, dBi	31.8	34.2	34.8	35.9	37.2	39.0	40.9	41.8	42.6	43.9	45.6
Beamwidth, degrees	4.7	3.7	3.3	2.7	2.5	2.1	1.6	1.5	1.3	1.0	0.9
Front/Back, dB	57	56	60	62	65	67	66	68	68	61	66
XPD, dB	32	30	30	30	30	30	30	30	30	30	30
Return Loss, dB	17.7	17.7	17.7	17.7	17.7	17.7	17.7	17.7	17.7	17.7	17.7
Regulatory Compliance											
ETSI Class	R1 C3	R1 C2	R1 C3	R1 C3	R2 C3	R2 C3	R3 C3	R4 C3	R4 C3	R5 C3B	R5 C3B
FCC Part 101	N/A	CAT A*	CAT B	N/A	N/A	CAT A	CAT A	CAT A	N/A	N/A	CAT A
Brazil Anatel	N/A	C2	C2	C2	C2	C2	C2	C2	C2	C2	C2
Canada SRSP	N/A	310.5	N/A	312.7B	314.5A	317.8A	321.8B	N/A	N/A	N/A	338.6A
Andrew RPE Number	7076	7099A*,7101A	7100A	7005	7009	7013A	7017A	7021A	7025A	7029	7033A

* Use for FCC band (10.5–10.7 GHz)

One Company. A World of Solutions.

SPECIFICATIONS**ValuLine® III Next Generation Antennas—VHLPX2****Antenna Dimensions, mm (in)**

A	663 (26.1)
B	358 (14.1)
C	72 (2.8)
D	143 (5.6)
E	335 (13.2)

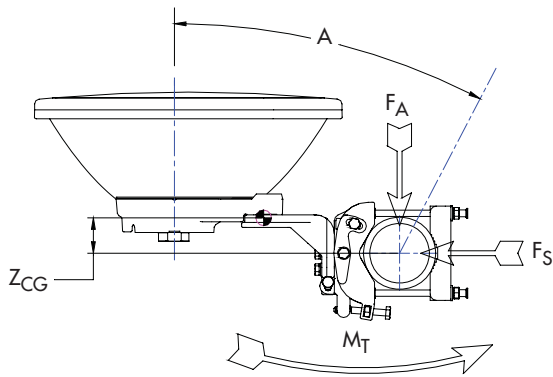
Antenna Fine Adjustment

Fine Azimuth	$\pm 10^\circ$
Fine Elevation	$\pm 25^\circ$

ValuLine® III Next Generation Antennas—VHLPX2

Wind Loading

The axial, side, and twisting moment forces stated below are the maximum loads applied to the tower by the antenna at a survival windspeed of 250 km/h (155 mph). They are the result of wind from the most critical direction for each parameter. The individual maximums may not occur simultaneously. All forces are referenced to the antenna mounting pipe.



Axial force	F_A	1066 N (240 lb)
Side force	F_S	496 N (111 lb)
Moment	M_T	382 N-m (282 lb-ft)
Angle A for M_T maximum		0°
Z_{CG} * without ice, mm (in)		125 (4.9)
X_{CG} with 12 mm (1/2 in) radial ice, mm (in)		188 (7.4)

* Z_{CG} is the axial distance from the center of gravity to the mounting pipe.

Antenna Weights Including Mount

Antenna without ice, kg (lb)	12.28 (27)
Antenna with 12 mm (1/2 in) radial ice, kg (lb)	24.7 (54)

Antenna Packed Weights (Gross)

Weight, kg (lb)	19.42 (43)
-----------------	------------

Packed Antenna Dimensions (Single Unit Pack)

Dimensions, cm (in)	70 x 70 x 56 (27.5 x 27.5 x 22.0)
---------------------	-----------------------------------



One Company. A World of Solutions.

Andrew Corporation
3 Westbrook Corporate Center
Suite 900
Westchester, IL 60154 US

Customer Support Center
From North America
Telephone: 1-800-255-1479
Fax: 1-800-349-5444

International
Telephone: +1-708-873-2307
Fax: +1-779-435-8579

Internet: www.andrew.com

All designs, specifications, and availabilities of products and services presented in this bulletin are subject to change without notice.

Bulletin PA-101688.2-EN (10/07)

© 2007 Andrew Corporation, Westchester, IL 60154 US