



**PRODUCT  
SPECIFICATION**

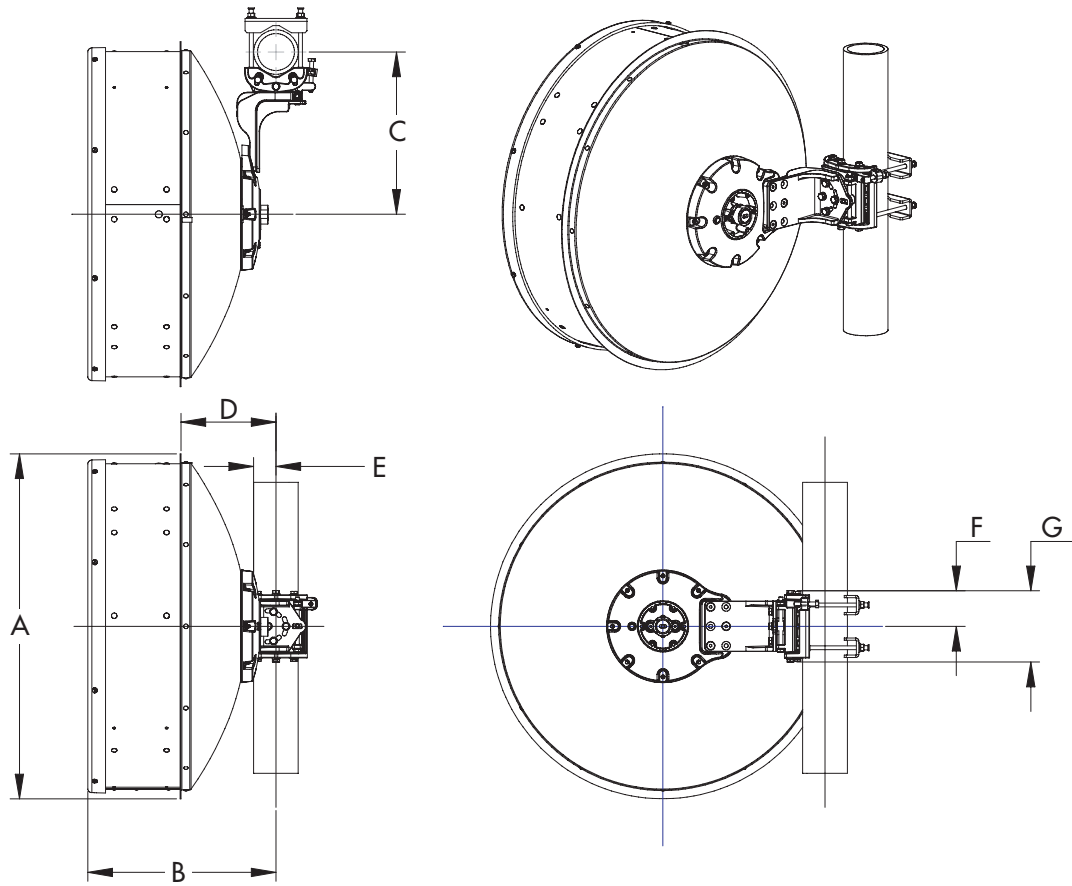


# ValuLine® III Next Generation Antennas VHLPX2.5

## SPECIFICATIONS

	VHLPX2.5-7W	VHLPX2.5-10W	VHLPX2.5-11	VHLPX2.5-13	VHLPX2.5-15	VHLPX2.5-18	VHLPX2.5-23	VHLPX2.5-26
Frequency Band, GHz	7.125–8.5	10.0–10.7	10.7–11.7	12.7–13.25	14.25–15.35	17.7–19.7	21.2–23.6	24.25–26.5
Bottom Band Gain, dBi	33.9	36.3	36.6	38.2	39.3	40.5	42.5	43.7
Mid Band Gain, dBi	34.0	36.7	37.3	38.4	39.7	41.0	43.0	44.1
Top Band Gain, dBi	34.3	37.0	38.1	38.6	40.1	41.4	43.4	44.4
Beamwidth, degrees	3.3	2.7	2.1	2.1	1.8	1.5	1.2	1.0
Front/Back, dB	60	63	63	65	68	69	72	72
XPD, dB	32	30	30	30	30	30	30	30
Return Loss, dB	17.7	17.7	17.7	17.7	17.7	17.7	17.7	17.7
Regulatory Compliance								
ETSI Class	R1 C3	R1 C3	R1 C3	R1 C3	R2 C3	R2 C3	R3 C3	R4 C3
FCC Part 10	N/A	CAT A	CAT B	N/A	N/A	CAT A	CAT A	CAT A
Brazil Anatel	C2	C2	C2	C2	C2	C2	C2	C2
Canada SRSP	N/A	310.5	N/A	312.7B	314.5A	317.8A	321.8	N/A
Andrew RPE Number	7078	7096A	7042	7048A	7054	7060	7066	7072

One Company. A World of Solutions.

**SPECIFICATIONS****ValuLine® III Next Generation Antennas—VHLPX2.5****Antenna Dimensions, mm (in)**

A	889.00 (35.0)
B	485.30 (19.1)
C	418.00 (16.5)
D	244.75 (7.2)
E	57.60 (2.3)
F	91.70 (3.6)
G	184.00 (7.2)

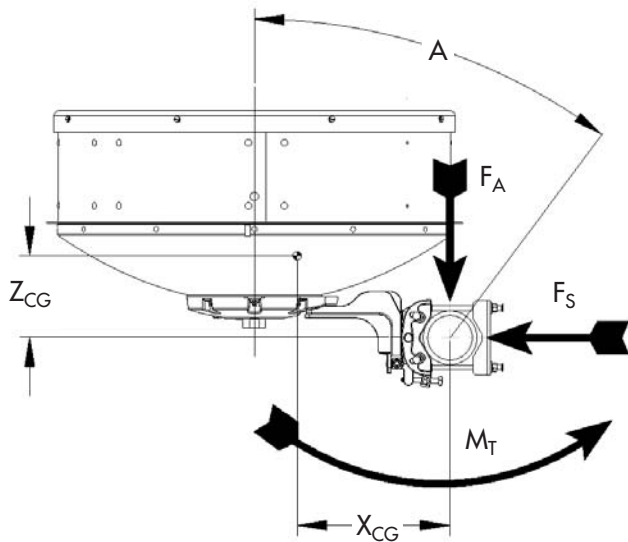
**Antenna Fine Adjustment**

Fine Aximuth	$\pm 10^\circ$
Fine Elevation	$\pm 25^\circ$

## ValuLine® III Next Generation Antennas—VHLPX2.5

### Wind Loading

The axial, side, and twisting moment forces stated below are the maximum loads applied to the tower by the antenna at a survival windspeed of 200 km/h (125 mph). They are the result of wind from the most critical direction for each parameter. The individual maximums may not occur simultaneously. All forces are referenced to the antenna mounting pipe.



Axial force	$F_A$	1500 N
Side force	$F_S$	743 N
Moment	$M_T$	673 N·m
Angle A for $M_T$ maximum	$-30^\circ$	
$Z_{CG}$ * without ice, mm (in)		180.3 (7)
$X_{CG}$ without ice, mm (in)		304.4 (11.98)

\* $Z_{CG}$  is the axial distance from the center of gravity to the mounting pipe.

### Antenna Weights Including Mount

Antenna Without Ice, kg (lb)	21.6 (47.6)
Antenna with 25 mm (1.0 in) Radial Ice, kg (lb)	34.5 (76.1)

### Antenna Packed Weights (Gross)

Weight, kg (lb)	30 (66.1)
-----------------	-----------

### Packed Antenna Dimensions (Single Unit Pack)

Dimensions, cm (in)	90 x 90 x 65 (35.5 x 35.5 x 25.0)
---------------------	-----------------------------------



One Company. A World of Solutions.

Andrew Corporation  
3 Westbrook Corporate Center  
Suite 900  
Westchester, IL 60154 USA

Customer Support Center  
From North America  
Telephone: 1-800-255-1479  
Fax: 1-800-349-5444

International  
Telephone: +1-708-873-2307  
Fax: +1-779-435-8579

Internet: [www.andrew.com](http://www.andrew.com)

All designs, specifications, and availabilities of products and services presented in this bulletin are subject to change without notice.

Bulletin PA-101689.2-EN (10/07)

© 2007 Andrew Corporation, Westchester, IL 60154 USA