



NEW PRODUCT
ANNOUNCEMENT



Designed for the highest reliability even under extreme operating conditions

Universal Power Distribution Unit

For Single and Dual Band Tower Mounted Amplifiers

This power distribution unit from Andrew Corporation is optimized for operation with Andrew single or dual band tower mounted amplifiers.

The power distribution unit (PDU) provides power supply for up to six tower mounted amplifiers (TMA) via the RF feeder and a bias tee at the base station level.

The unit is easily and quickly installed in various types of base stations and provides the following functions:

Voltage regulation, ensuring a clean and stable supply is delivered to the TMA with improved power efficiency;

Current monitoring, providing fault detection on each output for the TMA and supply path;

Alarm reporting, visual for easy on-site troubleshooting as well as an interface for remote alarm indication.

The PDU is part of the Andrew OneBase™ TMA platform, a complete range of superior TMA products incorporating state-of-the-art technology and efficient production methods. Housed in a compact rack-mountable package, the PDU is engineered to ensure the highest reliability in demanding environments and is tolerant to extreme supply and load conditions.

The PDU can be ordered as a kit, including a standard set of cables.

- Wide range DC input voltage range of ± 20 to ± 60 Vdc
- Active overload protection provides automatic recovery from transient fault conditions on the outputs
- Lightning protection provided by circuitry on each input and output

Power Distribution Unit – Product Specifications

Application

Part number	D54G01P82
Number of outputs	6
Load per output	Single or Dual LNA
Nominal supply voltage, Vdc	+24 or -48

Electrical

Input voltage, Vdc	±20 to ±60
Maximum input current, A	.4
Output voltage, Vdc	.12
Nominal current per output, mA	.120/250
Maximum total output current, A	.2.2

Monitoring and control

Input voltage indicator	Green LED Ok	Red LED Failure
DC/DC converter indicator	Green LED Ok	Red LED Failure
TMA status indicator	Green LED Ok	Red LED Failure
Enable/disable TMA outputs	Dip-switch for each output	
Enable/disable/Reset TMA alarm	Dip-switch for each output	
Summary alarm output	Relay contact; normally open and normally closed available	
High/Low current mode	Jumper Selectable	

Mechanical

Height, depth, width, mm (in)	44 x 125 x 483 (1.75 x 4.9 x 19)
Weight - without mounting hw, kg (lb)	.1.1 (2.4)
Finish	Light gray

Mounting

Rack mounting	.19" EIA, 1RU
---------------	---------------

Grounding

Ground terminal, mm (in)	.6 (1/4") dia
--------------------------	---------------

Environmental

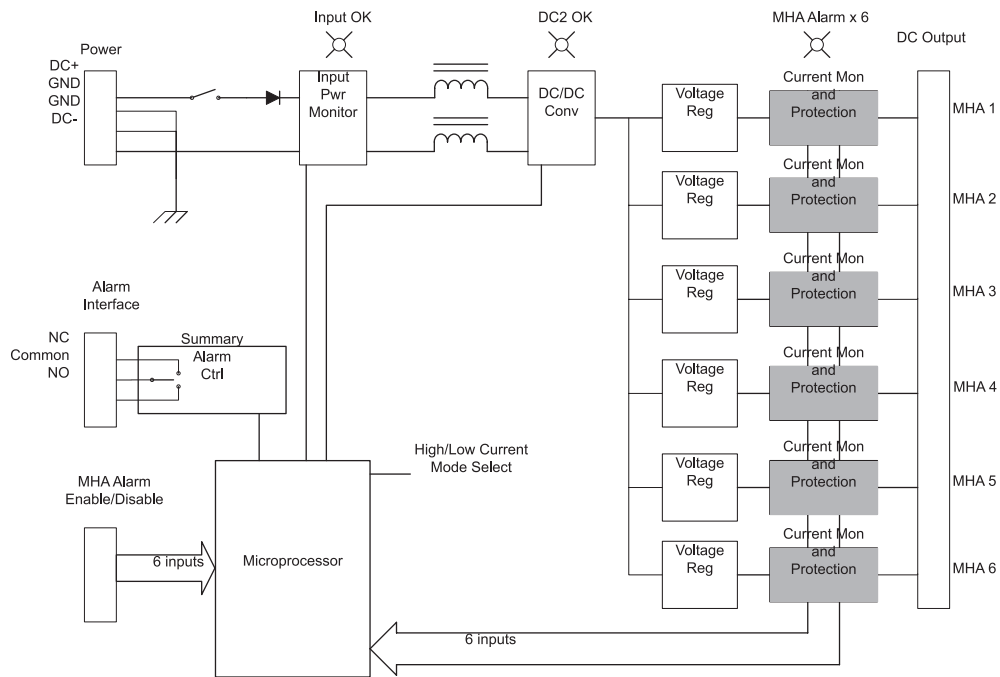
Operating temperature range	-10° C to +60° C
Storage temperature range	-40° C to +85° C
Ingress protection	.IP20
Lightning protection	.IEC 801-5

Accessories

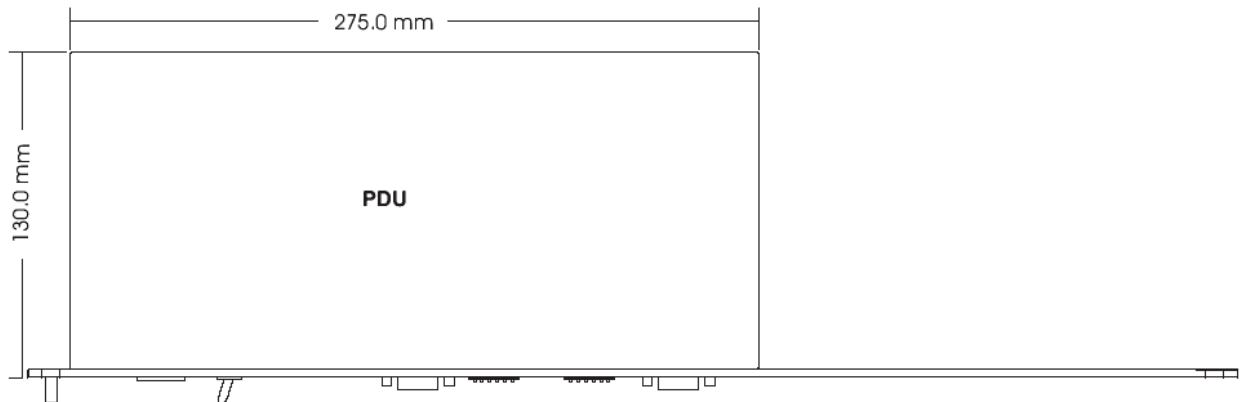
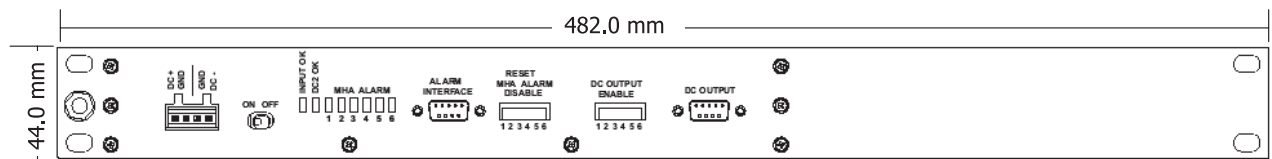
Power supply cable	Part number C61B01P32	Cable type2 x 24 AWG	Length, m (ft)5 (16)	Termination Solder pins	
Alarm cable	Part number C61B01P31	Cable type3 x 24 AWG	Length, m (ft)7 (23)	Termination Solder pins	
Bias tee harness	Part number C61L01P01	Cable type6 x RG174-A/U	Length, m (ft)6 (20)	Pigtails, m (ft)0.5 (1.5)	Termination6 x SMA-m

SPECIFICATIONS

Power Distribution Unit – Product Specifications



Block Diagram



Mechanical Drawings

Power Distribution Unit – Ordering information

PDU part no.	Description	Supply voltage	Cable set
D54G01P82	Universal PDU	+24 Vdc or -48 Vdc	Not Included
D54G01P83	Universal PDU with cables	+24 Vdc or -48 Vdc	Included

Notes:

- Each cable set includes: power supply cable, alarm cable, and bias tee harness



Andrew Corporation
10500 W. 153rd Street
Orland Park, IL 60462 USA

One Company. A World of Solutions.

Customer Support Center

From North America
Telephone: 1-800-255-1479
Fax: 1-800-349-5444

International

Telephone: +1-708-873-2307
Fax: +1-708-349-5444

Internet: www.andrew.com

Forem Srl

An Andrew Company
Via Archimede 22/24
20041 Agrate Brianza, Italy
Phone +39 039 60541
Fax: +39 039 6054477

All designs, specifications and availabilities of products and services presented in this bulletin are subject to change without notice.

Bulletin PA-100406-EN (03/07)
© 2007 Andrew Corporation, Orland Park, IL 60462 USA