



MST-08MH00-A0200U

MST, Fiber Optic Multiport Service Terminal, 8-port, long 2xN port, dielectric flat loose tube cable, 200 ft

- Hardened connectors are factory-terminated and environmentally sealed for use in optical drop cable deployments
- Plug-and-play adapter ports ensure rapid cable installment in the outside plant access section of the network
- Multiport Service Terminals incorporate hardened connector technology that is designed to withstand the rugged outside plant environment

Product Classification

Product Series	MST
Product Type	Access terminal, without splitter/tap
Regional Availability	Asia Latin America North America

Configuration Features

Distribution Type	None
Number of Ports	8
Number of Cables	1
Number of Splitters	0

Dimensions

Cable Length	60.96 m 200.00 ft
Cable Outer Diameter	4.5 x .81 mm
Depth	84.10 mm 3.31 in
Height	414.50 mm 16.32 in
Width	129.50 mm 5.10 in

Housing Features

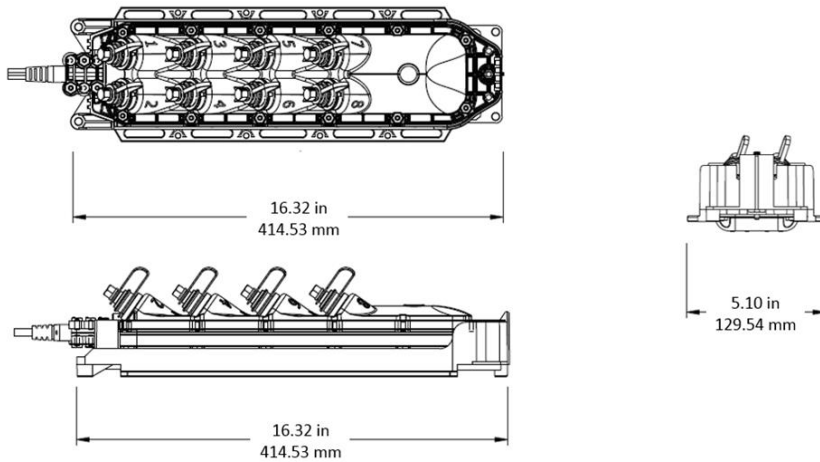
Housing Color	Black
Housing Material	Gasketed hardened plastic
Mounting Type	Pole Mount Hand Hole Mount Pedestal Mount Aerial Mount
Weight (without cable)	1.36 kg 3.00 lb

Industry Standards

Flammability Rating	UL94-5VA
Standards Compliance	GR-3120 GR-326 GR-771

Outline Drawing

MST-08MH00-A0200U



Packaging Features

Included	Universal Mounting Bracket
Packaging Method	Box/Carton
Packaging Quantity	1

Product Type Features

Cable Type	Dielectric - Flat - Loose Tube
Port Type	Hardened full-size SC/APC adapter
Stub Type	Stub tail
Fiber Type	G652.D

Signal Characteristics

Attenuation, maximum (1310nm)	0.40 dB/km
Attenuation, maximum (1550nm)	0.30 dB/km
Directivity (Min)	60.00 dB
Insertion Loss (Max)	0.40 dB
Loss (Max)	10.2 dB
Loss (Typical)	9.7 dB
Operating Wavelength	1260 – 1635 nm
Return Loss, minimum	55 dB

Usage Conditions

Operating Temperature	-40 – 158 °F -40 – 70 °C
Relative Humidity (Operating)	5 – 95 %
Weather Resistance	IP68 + 2m waterhead UV-resistant

Regulatory Compliance/Certifications

Agency
RoHS 2011/65/EU

Classification
Compliant

MST-08MH00-A0200U

Included Products

MST-UMB-0608 — DLX® MST, Fiber Optic Universal Mounting Bracket, 6/8 port



MST-UMB-0608

DLX® MST, Fiber Optic Universal Mounting Bracket, 6/8 port

Product Classification

Product Series	MST
Product Type	Bracket kit
Regional Availability	EMEA Latin America North America

Regulatory Compliance/Certifications

Agency	Classification
RoHS 2011/65/EU	Compliant