

# CMAX-DM20-43-V53

---



Cell-Max™ Low PIM Directional High Capacity Venue MIMO Antenna, 698–960 MHz and 1695–2700 MHz, 20-Deg, 4.30-10, Internal Diplexer

## OBSOLETE

This product was discontinued on: January 31, 2018

### Replaced By:

CMAX-DM22S-43-V53 Low PIM Directional High Capacity Venue MIMO Antenna, 698–960 MHz and 1710–2700 MHz, 22-Deg

## Product Classification

**Product Type** Indoor/outdoor antenna

**Product Brand** Cell-Max™

## General Specifications

**Application** Indoor/Outdoor

**Antenna Type** Directional

**Polarization** ±45°

**Color** White

**Number of Ports** 2

**Radome Material** ABS, UV resistant

**RF Connector Interface** 4.3-10 Female

## Dimensions

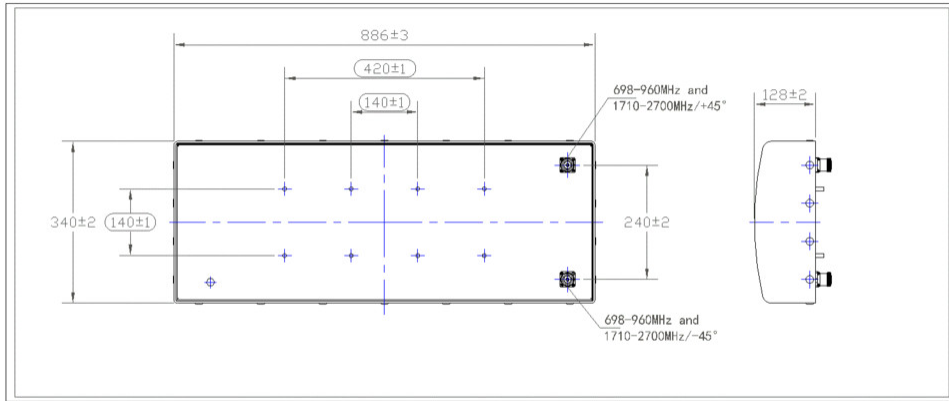
**Width** 340.4 mm | 13.402 in

**Depth** 127 mm | 5 in

**Length** 881.4 mm | 34.701 in

# CMAX-DM20-43-V53

## Outline Drawing



## Electrical Specifications

<b>Impedance</b>	50 ohm
<b>Lightning Protection</b>	dc Ground

## Electrical Specifications

Frequency Band, MHz	698-800	800-960	1695-1880	1850-1990	1920-2180	2200-2700	2300-2360
<b>Gain, dBi</b>	11.8	12.8	12	12.3	12.5	13.5	13
<b>Beamwidth, Horizontal, degrees</b>	26	23	25	23	22	19	20
<b>Beamwidth, Vertical, degrees</b>	67	62	69	67	65	65	68
<b>Front-to-Back Ratio, Copolarization 180° ± 30°, dB</b>	25	25	30	30	30	30	30
<b>CPR at Boresight, dB</b>	20	20	15	15	15	18	18
<b>Isolation, Cross Polarization, dB</b>	23	23	23	23	23	23	23
<b>VSWR   Return loss, dB</b>	1.5 14.0	1.5 14.0	1.5 14.0	1.5 14.0	1.5 14.0	1.5 14.0	1.5 14.0
<b>PIM, 3rd Order, 2 x 20 W, dBc</b>	-153	-153	-153	-153	-153	-153	-153
<b>Input Power per Port, maximum, watts</b>	200	200	200	200	200	200	200

## Mechanical Specifications

<b>Wind Loading @ Velocity, maximum</b>	686.0 N @ 216 km/h (154.2 lbf @ 216 km/h)
<b>Wind Speed, maximum</b>	216 km/h   134.216 mph

# CMAX-DM20-43-V53

---

## Environmental Specifications

<b>Operating Temperature</b>	-40 °C to +60 °C (-40 °F to +140 °F)
<b>Relative Humidity</b>	Up to 100%
<b>Ingress Protection Test Method</b>	IEC 60529:2001, IP65
<b>Vibration Test Method</b>	ASTM D4169   IEC 60068-2-6

## Packaging and Weights

<b>Width, packed</b>	350 mm   13.78 in
<b>Depth, packed</b>	210 mm   8.268 in
<b>Length, packed</b>	1125 mm   44.291 in
<b>Included</b>	Mounting bracket
<b>Packaging quantity</b>	1
<b>Weight, gross</b>	14.2 kg   31.306 lb
<b>Weight, net</b>	8 kg   17.637 lb