

CMAX-DM20-CPUSEV53



Cell-Max™ Low PIM Directional High Capacity Venue MIMO Antenna, 698–960 MHz and 1710–2700 MHz, 20-Deg

OBSOLETE

This product was discontinued on: January 31, 2018

Replaced By:

CMAX-DM22S-D-V53 Low PIM Directional High Capacity Venue MIMO Antenna, 698–960 MHz and 1710–2700 MHz, 22-Deg

Product Classification

Product Type Indoor/outdoor antenna

Product Brand Cell-Max™

General Specifications

Application Indoor/Outdoor

Antenna Type Directional

Polarization ±45°

Color White

Number of Ports 2

Radome Material ABS, UV resistant

RF Connector Interface 7-16 DIN Female

Dimensions

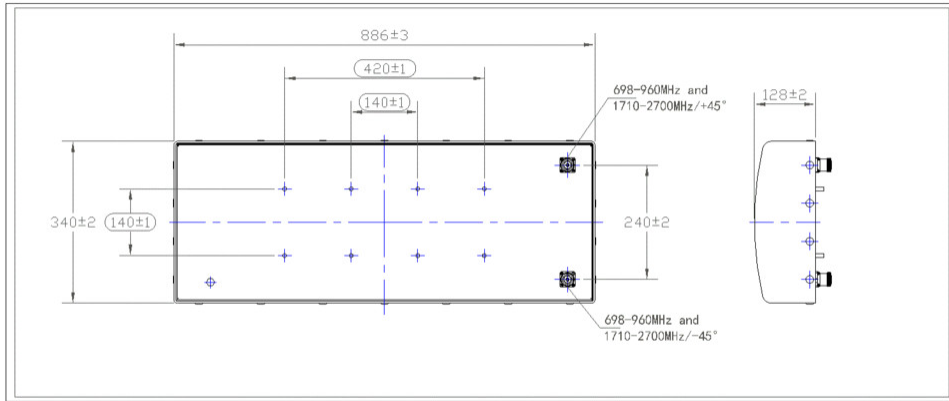
Width 340.4 mm | 13.402 in

Depth 127 mm | 5 in

Length 881.4 mm | 34.701 in

CMAX-DM20-CPUSEV53

Outline Drawing



Electrical Specifications

Impedance	50 ohm
Lightning Protection	dc Ground

Electrical Specifications

Frequency Band, MHz	698-800	800-960	1695-1880	1850-1990	1920-2180	2200-2700	2300-2360
Gain, dBi	11.8	12.8	12	12.3	12.5	13.5	13
Beamwidth, Horizontal, degrees	26	23	25	23	22	19	20
Beamwidth, Vertical, degrees	67	62	69	67	65	65	68
Front-to-Back Ratio, Copolarization 180° ± 30°, dB	25	25	30	30	30	30	30
CPR at Boresight, dB	20	20	15	15	15	18	18
Isolation, Cross Polarization, dB	23	23	23	23	23	23	23
VSWR Return loss, dB	1.5 14.0	1.5 14.0	1.5 14.0	1.5 14.0	1.5 14.0	1.5 14.0	1.5 14.0
PIM, 3rd Order, 2 x 20 W, dBc	-153	-153	-153	-153	-153	-153	-153
Input Power per Port, maximum, watts	200	200	200	200	200	200	200

Mechanical Specifications

Wind Loading @ Velocity, maximum	686.0 N @ 216 km/h (154.2 lbf @ 216 km/h)
Wind Speed, maximum	216 km/h 134.216 mph

CMAX-DM20-CPUSEV53

Environmental Specifications

Operating Temperature	-40 °C to +60 °C (-40 °F to +140 °F)
Relative Humidity	Up to 100%
Ingress Protection Test Method	IEC 60529:2001, IP65
Vibration Test Method	ASTM D4169 IEC 60068-2-6

Packaging and Weights

Width, packed	350 mm 13.78 in
Depth, packed	210 mm 8.268 in
Length, packed	1125 mm 44.291 in
Included	Mounting bracket
Packaging quantity	1
Weight, gross	14.2 kg 31.306 lb
Weight, net	8 kg 17.637 lb

Regulatory Compliance/Certifications

Agency	Classification
CHINA-ROHS	Below maximum concentration value
REACH-SVHC	Compliant as per SVHC revision on www.commscope.com/ProductCompliance
ROHS	Compliant

