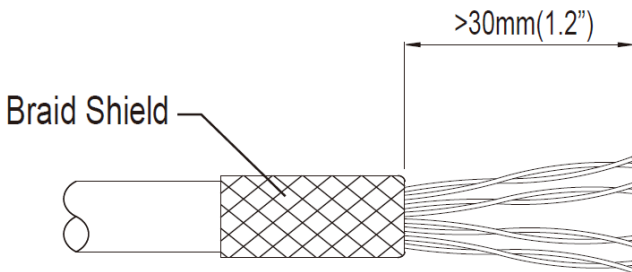


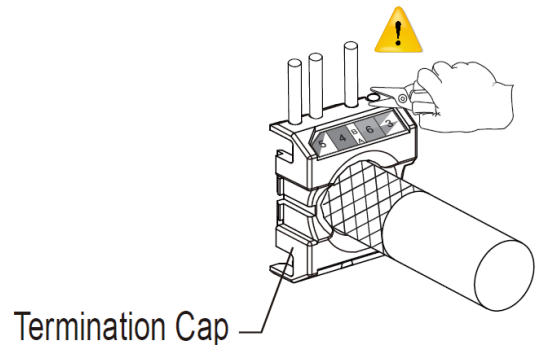
ASSEMBLY INSTRUCTION

1



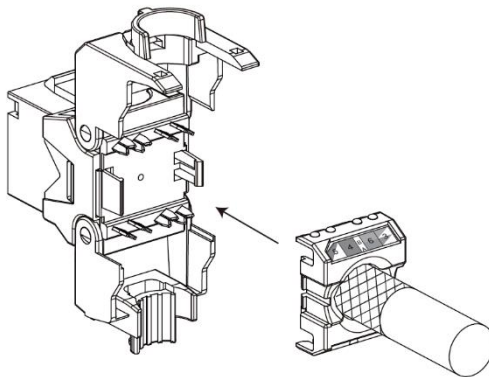
- Strip off 30~40mm of cable jacket.
- Pull back the grounding foil or screen.

2



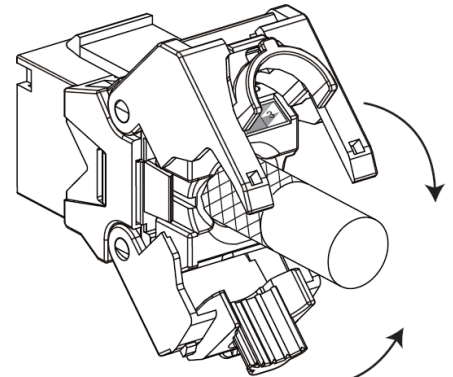
- Insert the cable into the termination cap and fan out all four twisted pairs.
- Following the wire color-coding printed on the termination cap, place the wires into the relevant slots.
- Trim the wires flush to the termination cap.

3



- Insert the termination cap into the jack.

4



- Close the covers by pressing the termination cap until they click.

5

- Secure the cable grounding and the cable fixture using a cable tie.

