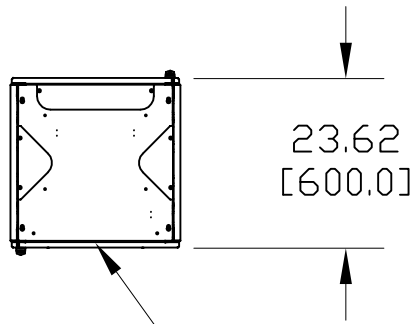


CATALOG NO.	DESCRIPTION	WEIGHT (lbs.)
760078816	CABLE CABINET 42U 600 x 600,	WEIGHT

NOTES:

1. SEE COMMSCOPE CATALOG FOR PART NUMBER SUFFIXES TO INDICATE COLOR/PKG.
2. SEE COMMSCOPE CATALOG FOR COMPLETE LIST OF PARTS RELATED TO THE USE OF THIS PRODUCT.
3. DIMENSIONS IN PARENTHESES ARE IN METRIC (mm).
4. PART INCLUDES:
(1) CABINET

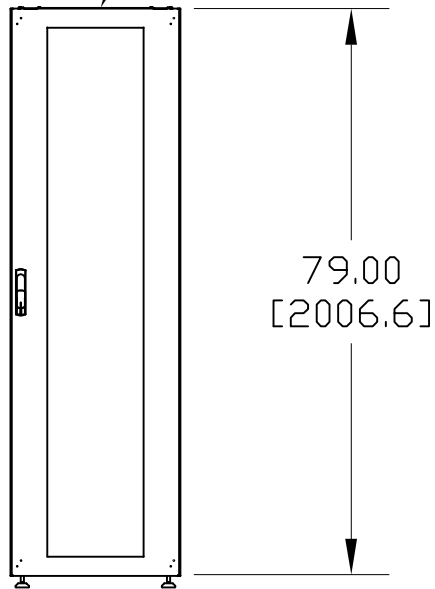


VENTED TOP PANEL

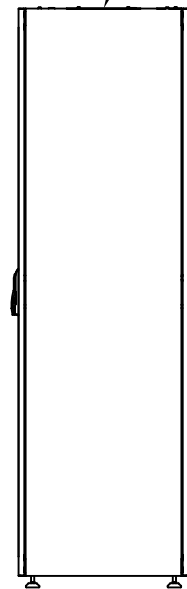
SOLID STEEL SIDE PANEL (BOTH SIDES)

GLASS DOOR

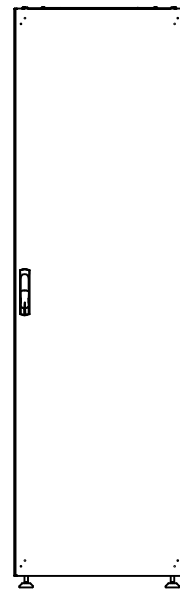
23.62
[600.0]



FRONT



SIDE



REAR

STEEL DOOR

COMMSCOPE ENCLOSURE CC 42U 600W X 600D

COMMSCOPE, INC HICKORY, NORTH CAROLINA

REV	DATE	ECR	DESCRIPTION	BY	DATE	DWG NO.
1	12/5/07		INITIAL ISSUE	DSP		
					12/5/07	760078816