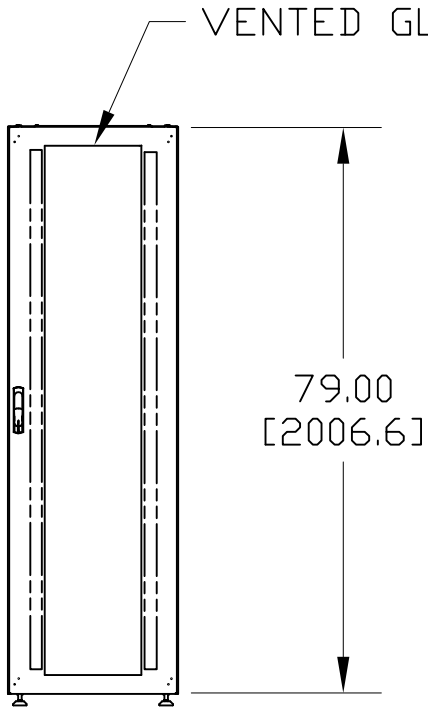
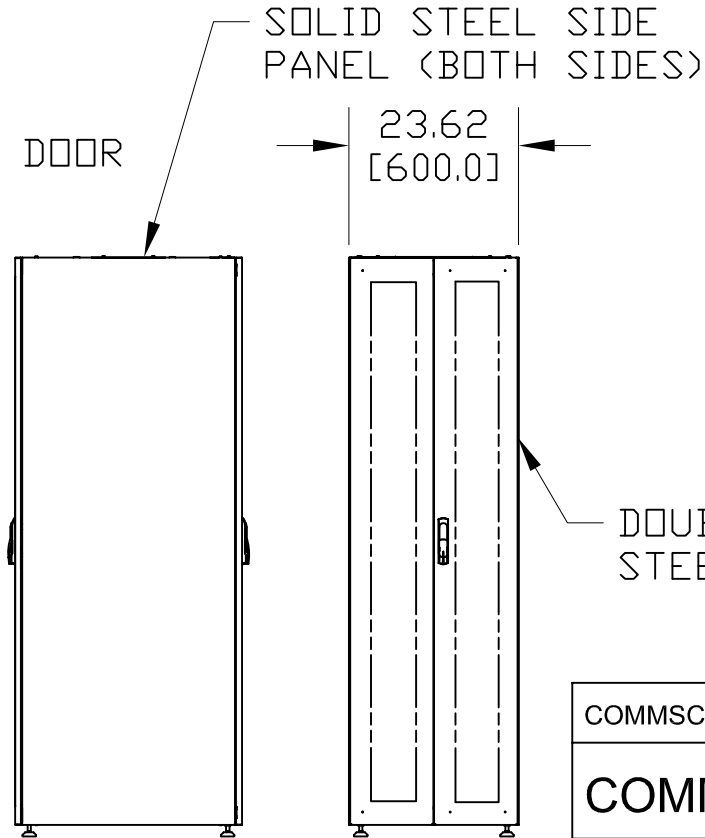


VENTED TOP PANEL



FRONT



SIDE

REAR

SOLID STEEL SIDE PANEL (BOTH SIDES)

DOUBLE VENTED STEEL DOORS

CATALOG NO.	DESCRIPTION	WEIGHT (lbs.)
760078089	SERVER CABINET 42U 600 x 800, VENTED GLASS FRONT DOOR, DOUBLE VENTED REAR DOORS	WEIGHT

NOTES:

1. SEE COMMSCOPE CATALOG FOR PART NUMBER SUFFIXES TO INDICATE COLOR/PKG.
2. SEE COMMSCOPE CATALOG FOR COMPLETE LIST OF PARTS RELATED TO THE USE OF THIS PRODUCT.
3. DIMENSIONS IN PARENTHESES ARE IN METRIC (mm).
4. PART INCLUDES:  
(1) CABINET

COMMSCOPE ENCLOSURE SC 42U 6X8 GVF DVR WS

**COMMSCOPE, INC** HICKORY, NORTH CAROLINA

REV	DATE	ECR	DESCRIPTION	BY
1	11/17/07		INITIAL ISSUE	DSP

DRAWN BY SEW
DATE 11/17/07

DWG NO. 760078089