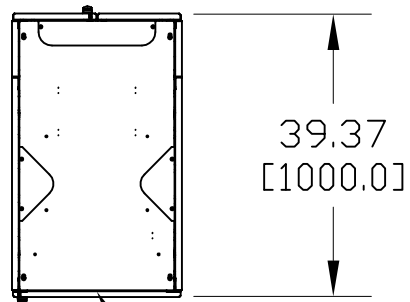


CATALOG NO.	DESCRIPTION	WEIGHT (lbs.)
760078188	SERVER CABINET 42U 600 x 1000, VENTED STEEL FRONT DOOR, DOUBLE VENTED REAR DOOR	WEIGHT

NOTES:

1. SEE COMMSCOPE CATALOG FOR PART NUMBER SUFFIXES TO INDICATE COLOR/PKG.
2. SEE COMMSCOPE CATALOG FOR COMPLETE LIST OF PARTS RELATED TO THE USE OF THIS PRODUCT.
3. DIMENSIONS IN PARENTHESES ARE IN METRIC (mm).
4. PART INCLUDES:
(1) CABINET



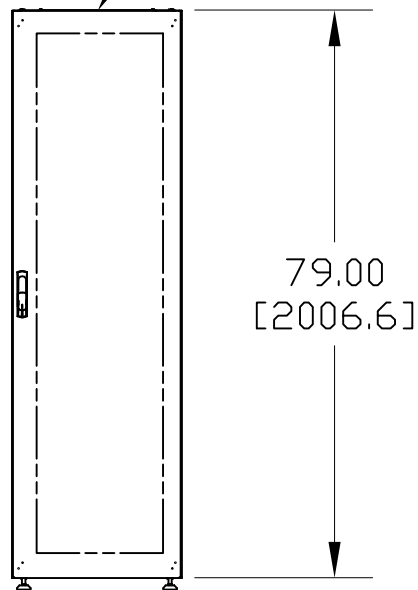
VENTED TOP PANEL

SOLID STEEL SIDE PANEL (BOTH SIDES)

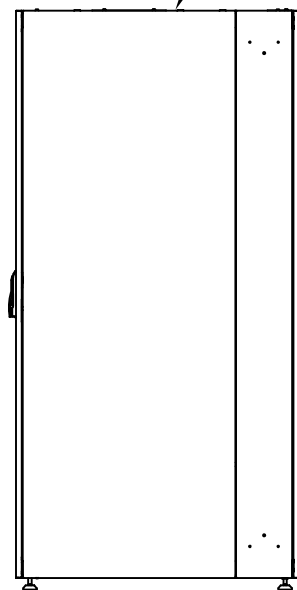
VENTED STEEL DOOR

23.62
[600.0]

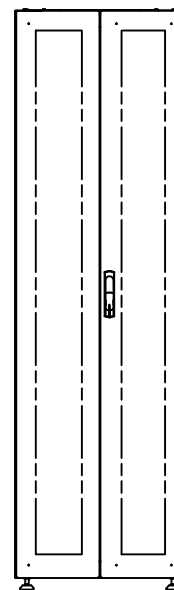
DOUBLE VENTED
STEEL DOORS



FRONT



SIDE



REAR

COMMSCOPE ENCLOSURE SC 42U 6X10 SVF DVR WS

COMMSCOPE, INC HICKORY, NORTH CAROLINA

REV	DATE	ECR	DESCRIPTION	BY
1	11/21/07		INITIAL ISSUE	DSP

DRAWN BY SEW
DATE 11/21/07

DWG NO. 760078188