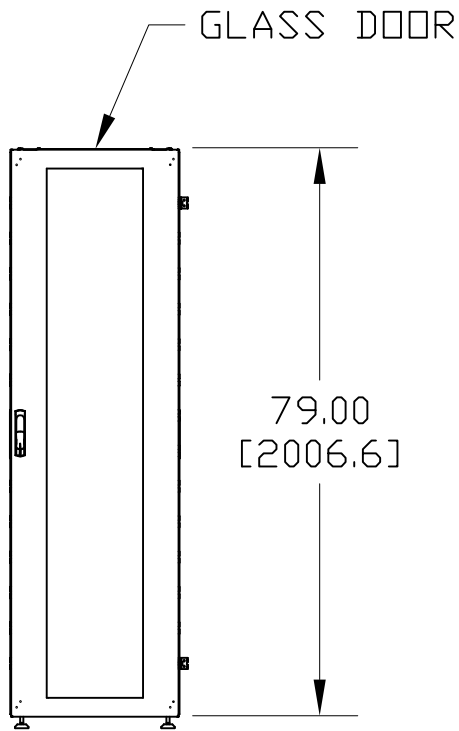
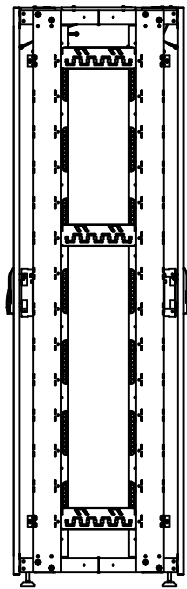


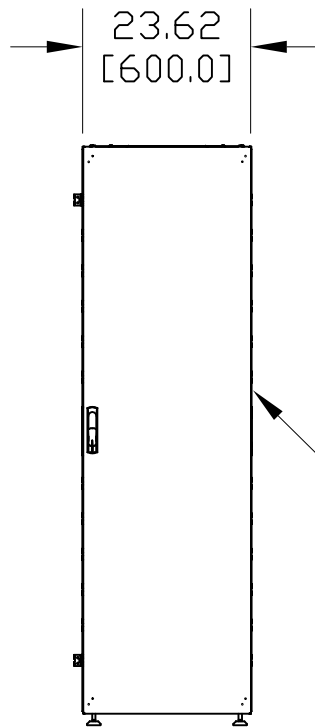
VENTED TOP PANEL



FRONT



SIDE



REAR

STEEL DOOR

CATALOG NO.	DESCRIPTION	WEIGHT (lbs.)
760078907	CABLE CABINET 42U 600 x 600 (EARTHED), ADDITIONAL BAY	WEIGHT

NOTES:

1. SEE COMMSCOPE CATALOG FOR PART NUMBER SUFFIXES TO INDICATE COLOR/PKG.
2. SEE COMMSCOPE CATALOG FOR COMPLETE LIST OF PARTS RELATED TO THE USE OF THIS PRODUCT.
3. DIMENSIONS IN PARENTHESES ARE IN METRIC (mm).
4. PART INCLUDES:
(1) CABINET

COMMSCOPE ENCLOSURE CCE 42U 600W X 600D

COMMSCOPE, INC HICKORY, NORTH CAROLINA

REV	DATE	ECR	DESCRIPTION	BY
1	12/7/07		INITIAL ISSUE	DSP

DRAWN BY SEW
DATE 12/7/07

DWG NO. 760078907