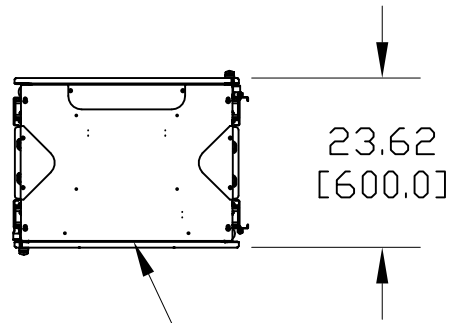
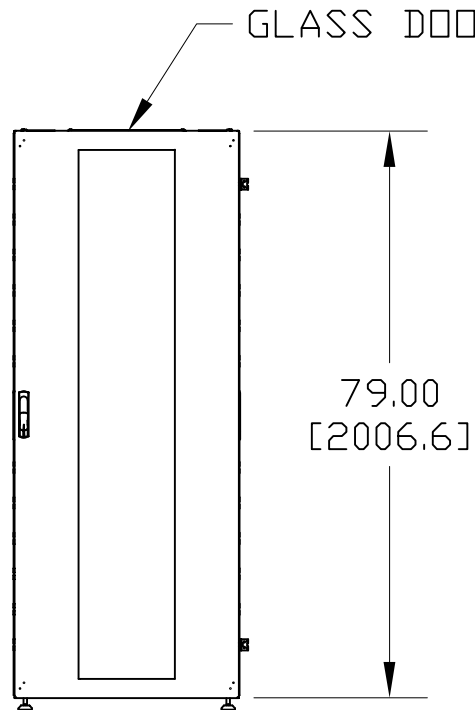


CATALOG NO.	DESCRIPTION	WEIGHT (lbs.)
760078949	CABLE CABINET 42U 800 x 600 (EARTHED), ADDITIONAL BAY	WEIGHT

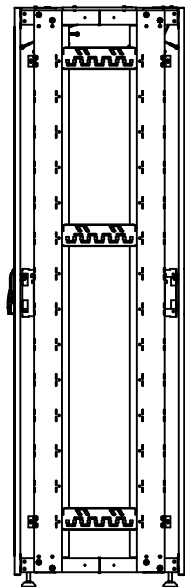


VENTED TOP PANEL

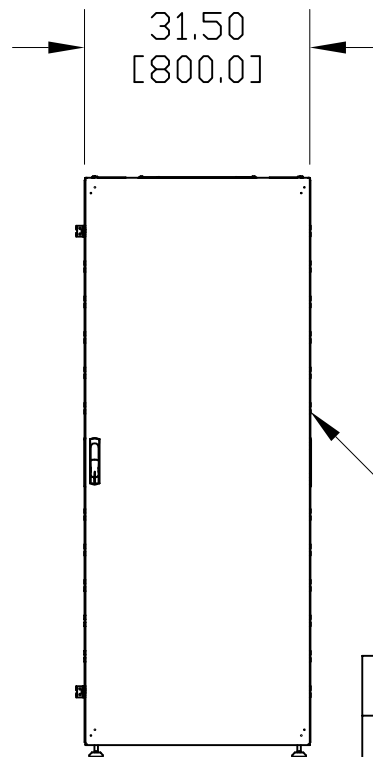


GLASS DOOR

FRONT



SIDE



STEEL DOOR

REAR

NOTES:

1. SEE COMMSCOPE CATALOG FOR PART NUMBER SUFFIXES TO INDICATE COLOR/PKG.
2. SEE COMMSCOPE CATALOG FOR COMPLETE LIST OF PARTS RELATED TO THE USE OF THIS PRODUCT.
3. DIMENSIONS IN PARENTHESES ARE IN METRIC (mm).
4. PART INCLUDES:  
(1) CABINET

COMMSCOPE ENCLOSURE CCE 42U 800W X 600D	
<b>COMMSCOPE, INC</b> HICKORY, NORTH CAROLINA	
DRAWN BY	DWG NO. 760078949
SEW	
DATE 12/11/07	

REV	DATE	ECR	DESCRIPTION	BY
1	12/11/07		INITIAL ISSUE	DSP