

Mounting Kits ASPR614 and ASP617

Bulletin 27-2330-2 • Revision G • November 2015 • Page 1 of 1

CommScope Infrastructure Academy offers installation training.

GENERAL INFORMATION

- The ASPR614 dual standoff side mounting kit is equipped with an insulated upper support arm, eight ASP617 universal crossover mounting plates, U-bolts, and hardware (Figure 1).
- This Kit allows antennas to be mounted 18 inches to 7 feet from the tower.
- The U-bolts included in this Kit secure any combination of two intersecting pipes measuring 1 to 2.875 inches OD.
- U-bolts also accommodate up to 2.5 inch angle or 4 inch OD tower legs with up to a 2.875 inch OD intersecting cross pipe (Figures 2 and 3).
- An ASPA320 mounting clamp can be used to accommodate antennas with vertical parallel mounting members.

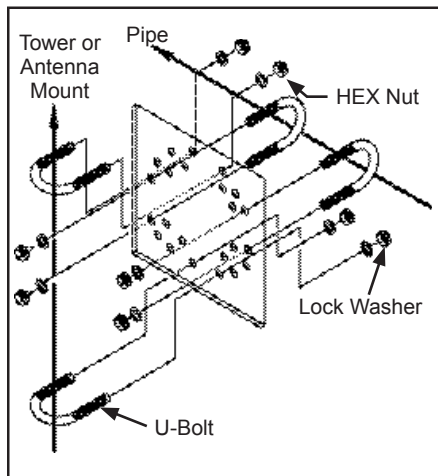


Figure 2. Assembling ASP617 Mounting Kit

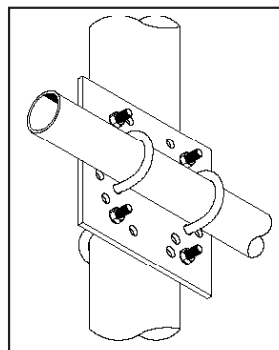


Figure 3. ASP617 Mounted to Tower Leg.

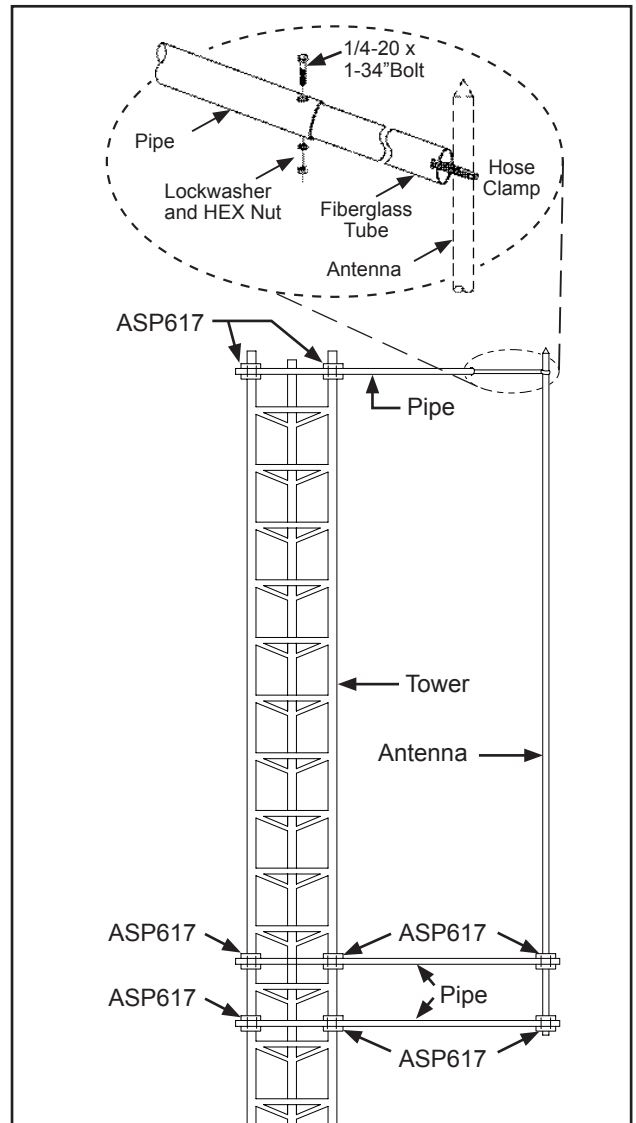


Figure 1. ASPR614 Side Tower Installation Using Eight ASP617 Universal Crossover Mounting Clamps.

NOTICE

The installation, maintenance, or removal of an antenna requires qualified, experienced personnel. Andrew installation instructions are written for such installation personnel. Antenna systems should be inspected once a year by qualified personnel to verify proper installation, maintenance, and condition of equipment.

Andrew disclaims any liability or responsibility for the results of improper or unsafe installation practices.



Do not install near power lines. Power lines, telephone lines, and guy wires look the same. Assume any wire or line can electrocute you.



Do not install on a wet or windy day or when lightning or thunder is in the area. Do not use metal ladder.



Wear shoes with rubber soles and heels. Wear protective clothing including a long-sleeved shirt and rubber gloves.

CommScope
1100 CommScope Place SE P.O. Box 339, Hickory, NC 28603-0339
(828) 324-2200 (800) 982-1708
www.commscope.com/andrew

Customer Service 24 hours
North America: +1-800-255-1479 (toll free)
Any country: +1-779-435-6500

Notice: CommScope disclaims any liability or responsibility for the results of improper or unsafe installation, inspection, maintenance, or removal practices.
Aviso: CommScope no acepta ninguna obligación ni responsabilidad como resultado de prácticas incorrectas o peligrosas de instalación, inspección, mantenimiento o retiro.
Avis: CommScope décline toute responsabilité pour les conséquences de procédures d'installation, d'inspection, d'entretien ou de retrait incorrectes ou dangereuses.
Hinweis: CommScope lehnt jede Haftung oder Verantwortung für Schäden ab, die aufgrund unsachgemäßer Installation, Überprüfung, Wartung oder Demontage auftreten.
Atenção: A CommScope abdica do direito de toda responsabilidade pelos resultados de práticas inadequadas e sem segurança de instalação, inspeção, manutenção ou remoção.
Avvertenza: CommScope declina eventuali responsabilità derivanti dall'esecuzione di procedure di installazione, ispezione, manutenzione e smontaggio improprie o poco sicure.
注意: CommScope 公司申明对于不恰当或不安全的安装、检验、维修或拆卸操作所导致的后果不负任何义务和责任。