

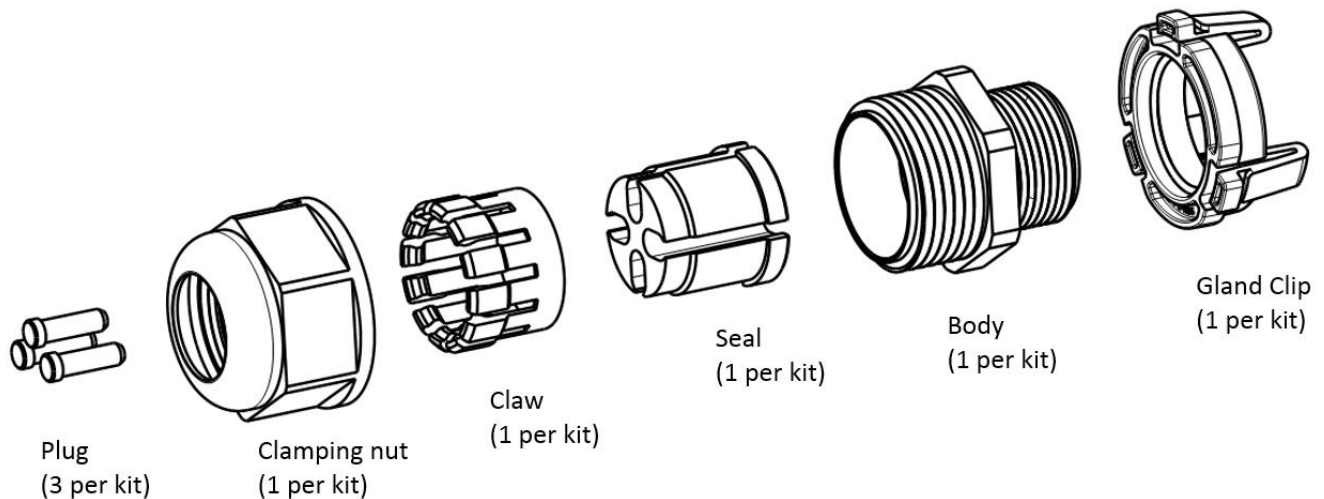
TRUNK CABLE FITTING KIT

General

The COMMSCOPE® Gland Kit, M25, Trunk Cable Fitting kit (COMMSCOPE® material ID 760242679) provide more patching capacity for MPO Trunk cable on COMMSCOPE® HD, UD and EHD panels. Each Gland kit can fix four(max) MPO trunk cable on it. Example MIDs are UJXMXMXQ8 and UJXMXMXAD. Or each Gland kit can fix two(max) MPO trunk cable on it which example MIDs are UJXMXMXQR, UJXMXMXAF and UJXMXMXBF.

Parts List

Verify parts against the parts list below:



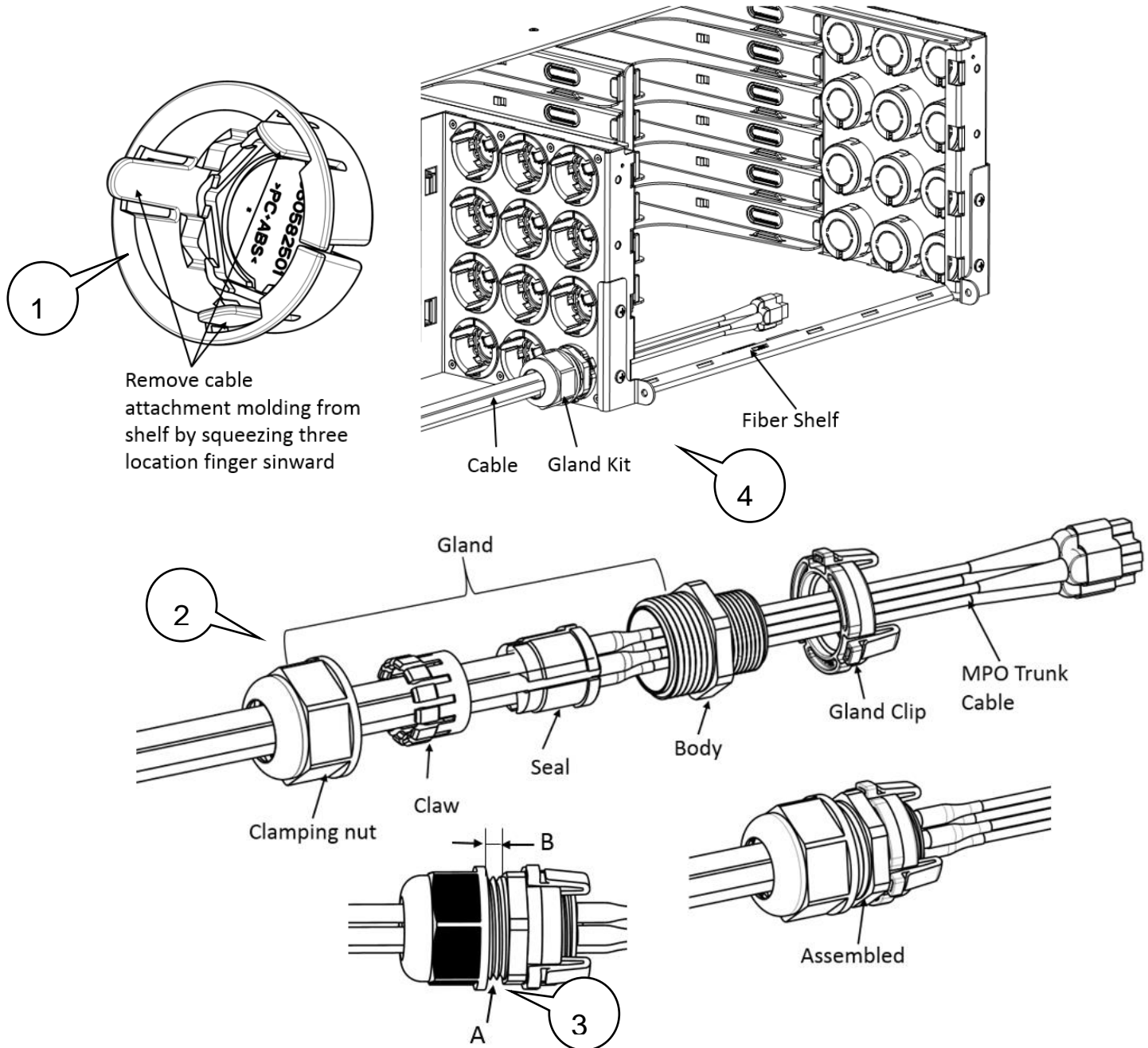
How to Contact Us

- To find out more about **CommScope®** products, visit us on the web at www.commscope.com/
- For technical assistance:
 - Within the United States, contact your local account representative or technical support at 1-800-344-0223. Outside the United States, contact your local account representative or **PartnerPRO™** Network Partner.
 - Within the United States, report any missing/damaged parts or any other issues to **CommScope** Customer Claims at 1-866-539-2795 or email to



claims@commscope.com. Outside the United States, contact your local account representative or **PartnerPRO** Network Partner.

Assembly



1. Remove cable attachment molding from shelf.
2. Disassemble M25 gland kit, put cables into seal grooves. Keep the plugs in the empty grooves.

3. Assembly the gland kit. Tighten Clamping nut, make sure the cable cannot be pulled out easily. There are two methods to inspect the cable fixed status, checking the remaining threads (A) or check remaining distance (B).

MPO Trunk MID	QTY (max)	"A" Remaining threads	"B" Remaining distance
UJXMXMXQ8	4	1	2.4mm
UJXMXMXQR	2	1	2.4mm
UJXMXMXAD	4	1	2.4mm
UJXMXMXAF	2	3	4.6mm
UJXMXMXBF	2	2	3.0mm

4. Snap the gland clip with M25 gland kit back into fiber shelf.