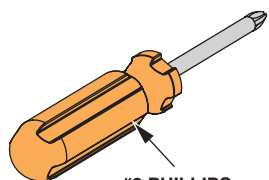


Enhanced High Density (EHD) Chassis

Tools Required and Parts List



#2 PHILLIPS SCREWDRIVER

PARTS LIST	
QUANTITY	DESCRIPTION
1	EHD CHASSIS
4	RACK SCREW



EHD PRODUCT PAGE QR CODE; ACCESS WITH SMARTPHONE FOR EHD USER MANUAL AND FIBER CONNECTOR CLEANING INSTRUCTIONS



This document shows the EHD being installed on a 19-inch rack.

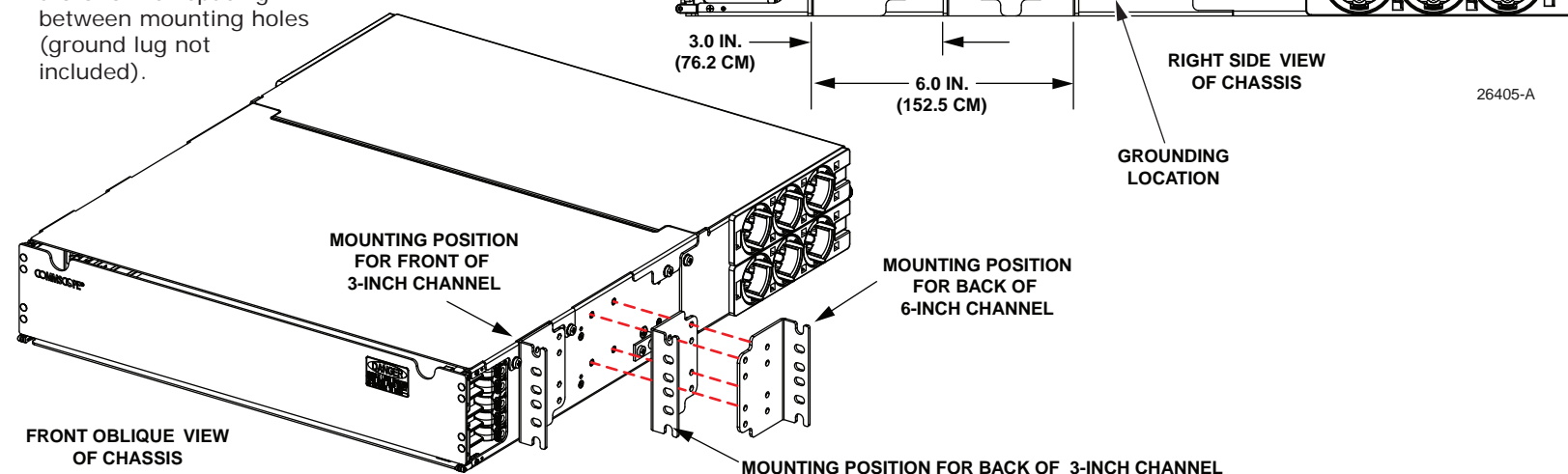
This document shows the EHD-2RU model in most illustrations. The EHD is also offered in a 1RU and 4RU models. Procedural and physical details are analogous for the 1RU and 4RU models.

3

Select Panel Mounting Option to be Used

The EHD chassis mounts on the front or rear of a 3-inch or 6-inch channel. The channel can be a frame or the internal front supports of a cabinet.

Ground per local practice in the location shown. Two-hole grounding requires a 0.625-inch spacing between mounting holes (ground lug not included).



1

Remove the EHD from the packaging

with accessories and this quick start manual.



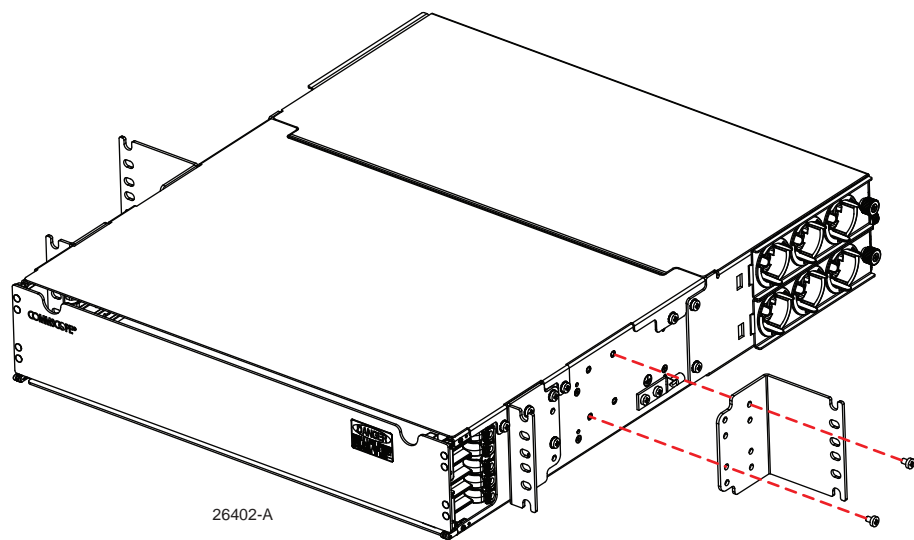
There will be cardboard inserts inside of the panel to prevent damage during shipment. Front door and rear cover will need to be opened to remove them.

2

Remove the two shipping brackets

The shipping brackets (one on each side of the chassis) are located behind the mounting brackets in the place shown.

After being removed from the chassis, they can be discarded.



4

Mount Chassis in Channel Rack or Cabinet

Use M6 or #12-24 screws (provided) as appropriate.

CHANNEL RACK MOUNTING:

Cable Mounting Bracket (accessory) (EHD-RMB) mounts to rear rail and provides a point to secure trunks.

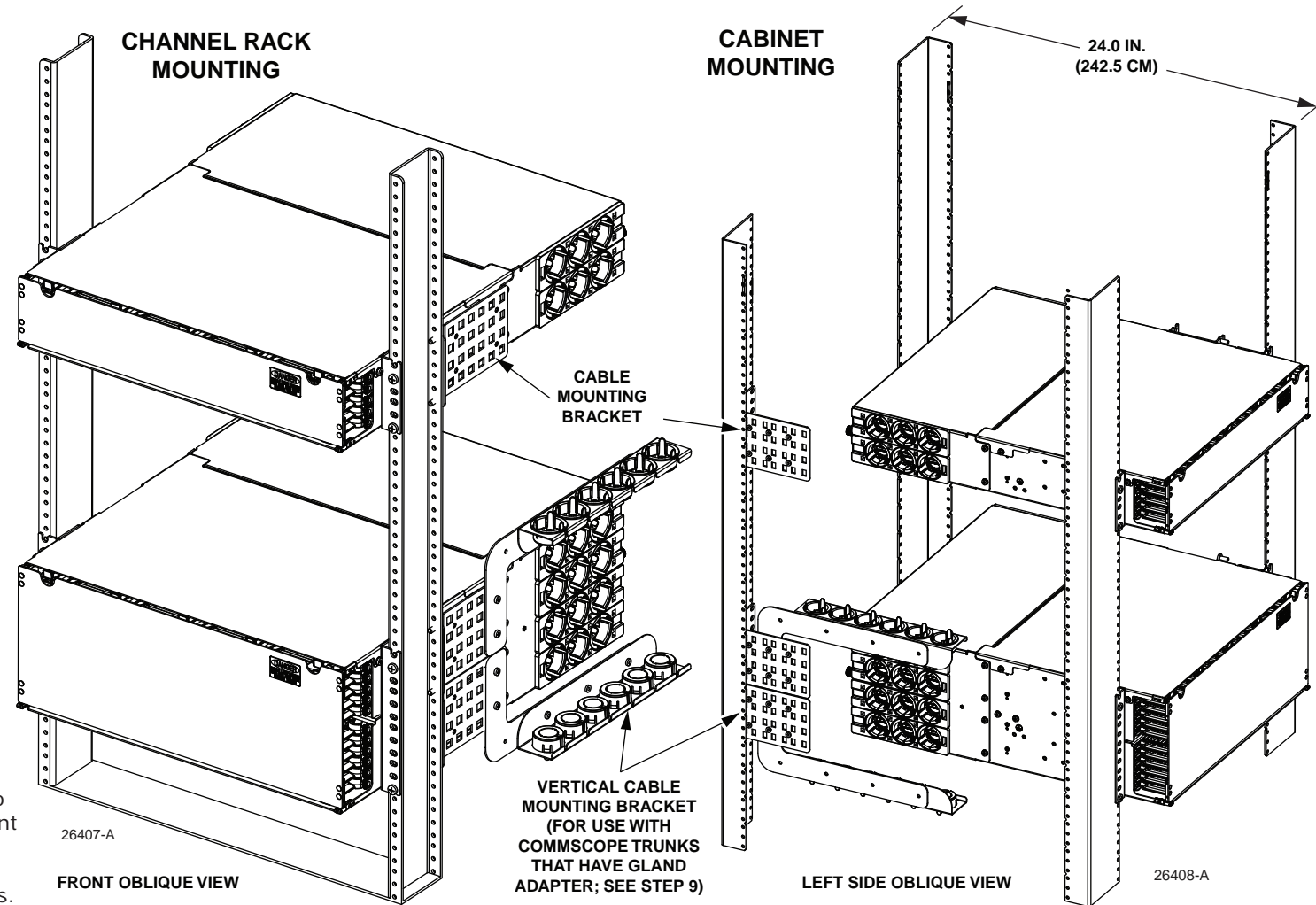
Vertical Cable Mounting Bracket (accessory) (EHD-RMB-GAB) mounts to rear rail and allows the cable attachment molding to snap into the bracket for top down or bottom up securing of CommScope trunks with gland adapters.

CABINET MOUNTING:

It is recommended front and back rails be 24 inches (60.96 cm) apart when mounting with a 3-inch (7.62 cm) recess.

Cable Mounting Bracket (EHD-CMB) mounts to rear rail and provides a point to secure trunks.

Vertical Cable Mounting Bracket (accessory) (EHD-CMB-GAB) mounts to rear rail and allows the cable attachment molding to snap into the bracket for top down or bottom up securing of CommScope trunks with gland adapters.



5

Slide Out Tray to Mount MPO Module or Adapter Pack

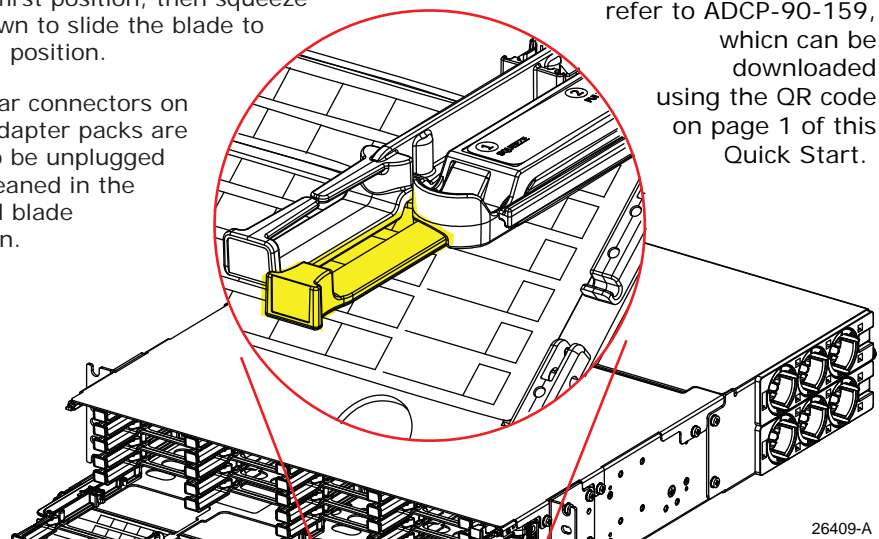
NOTE: This step is not necessary at this time if an MPO module or adapter pack is not being installed.

Pull out on pull arm to slide out the blade to the first position, then squeeze as shown to slide the blade to second position.

The rear connectors on MPO adapter packs are able to be unplugged and cleaned in the second blade position.

NOTE:

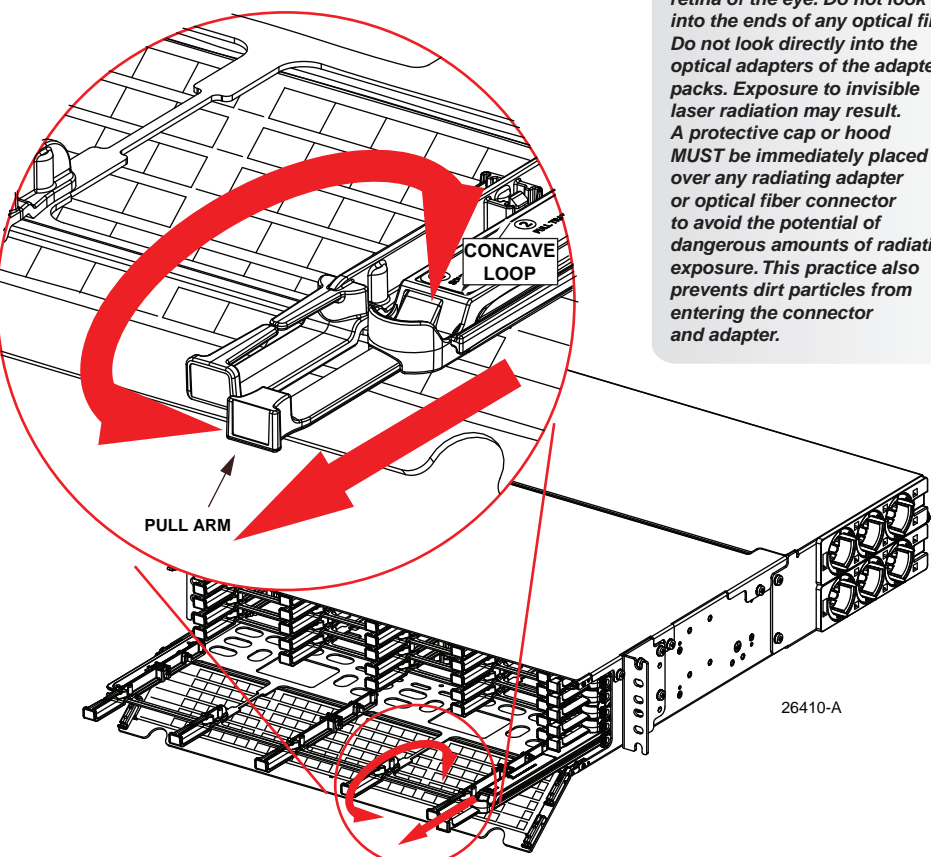
Always clean and inspect connectors before mating them. For cleaning instructions, refer to ADCP-90-159, which can be downloaded using the QR code on page 1 of this Quick Start.



PULL ARM

Danger:

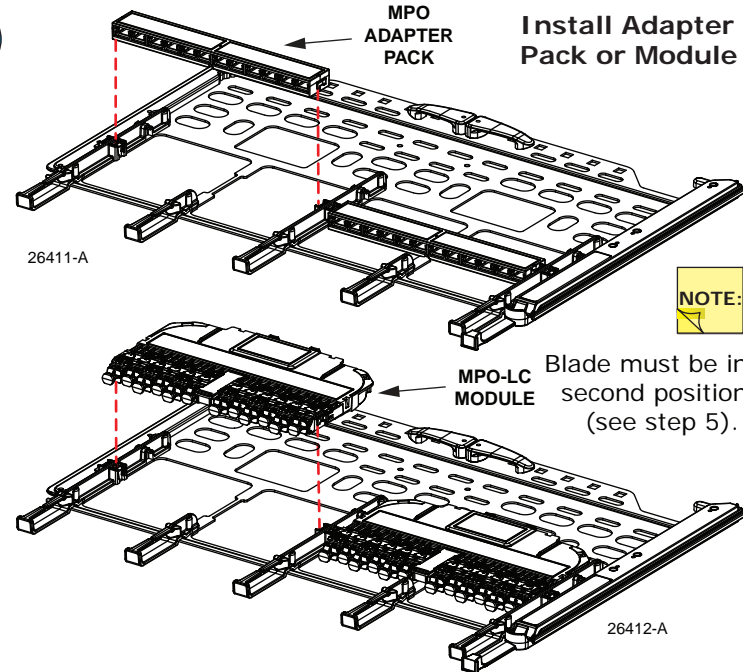
Infrared radiation is invisible and can seriously damage the retina of the eye. Do not look into the ends of any optical fiber. Do not look directly into the optical adapters of the adapter packs. Exposure to invisible laser radiation may result. A protective cap or hood MUST be immediately placed over any radiating adapter or optical fiber connector to avoid the potential of dangerous amounts of radiation exposure. This practice also prevents dirt particles from entering the connector and adapter.



PULL ARM

6

Install Adapter Pack or Module



9

Secure and Route Cable

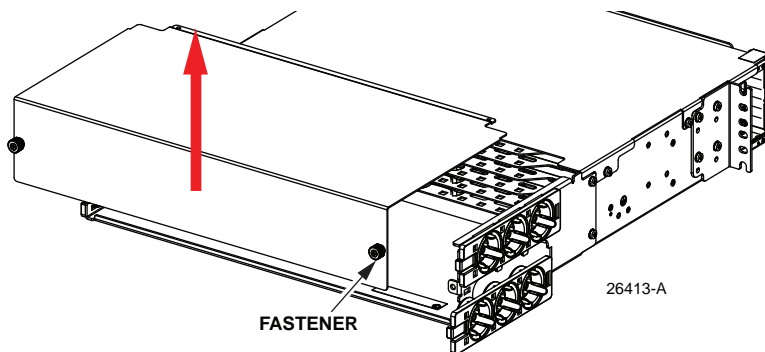
Remove center "knockout" from molding. Slide over cable through slit on side of the molding. Before securing cable to rack or bracket outside of panel make sure there is enough slack in cable to pull blade forward to second position. Using a CommScope trunk with gland adapter shown below will usually provide this slack. Dress breakouts with "Hook and Loop." For non-CommScope trunks, include a piece inside of the molding.



7

Remove Rear Cover

Turn fasteners counterclockwise to release cover and lift off.



FASTENER

10

Route Patch Cords

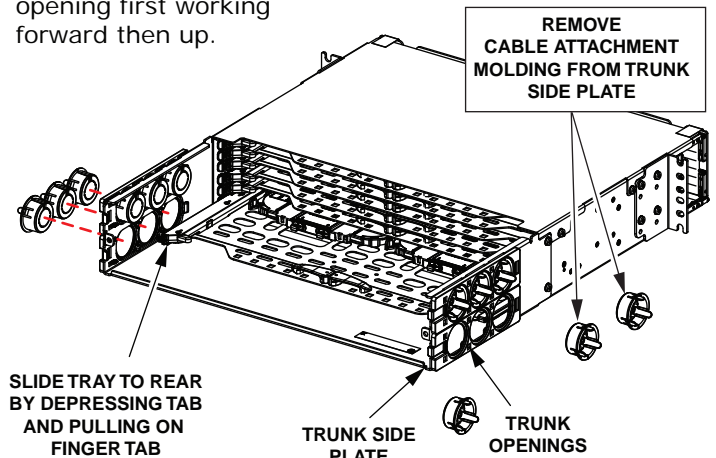
When connecting patch cords, route patch cords from the center of the EHD outward to each side, using the cable guides to secure and route the patch cords as shown below.



8

Initial Panel Trunk Installation Preferred Method

Load panel from bottom up. Use farthest back trunk opening first working forward then up.



SLIDE TRAY TO REAR BY DEPRESSING TAB AND PULLING ON FINGER TAB

TRUNK SIDE PLATE TRUNK OPENINGS

11

Close Back Cover and Front Door

COMMScope®

U.S.A or Canada
Sales: 1.800.366.3891 extension 73347
Technical assistance: 1.800.830.5056
Email: TAC.Americas@commscope.com
Website: www.commscope.com