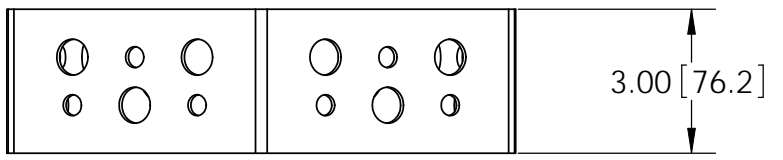
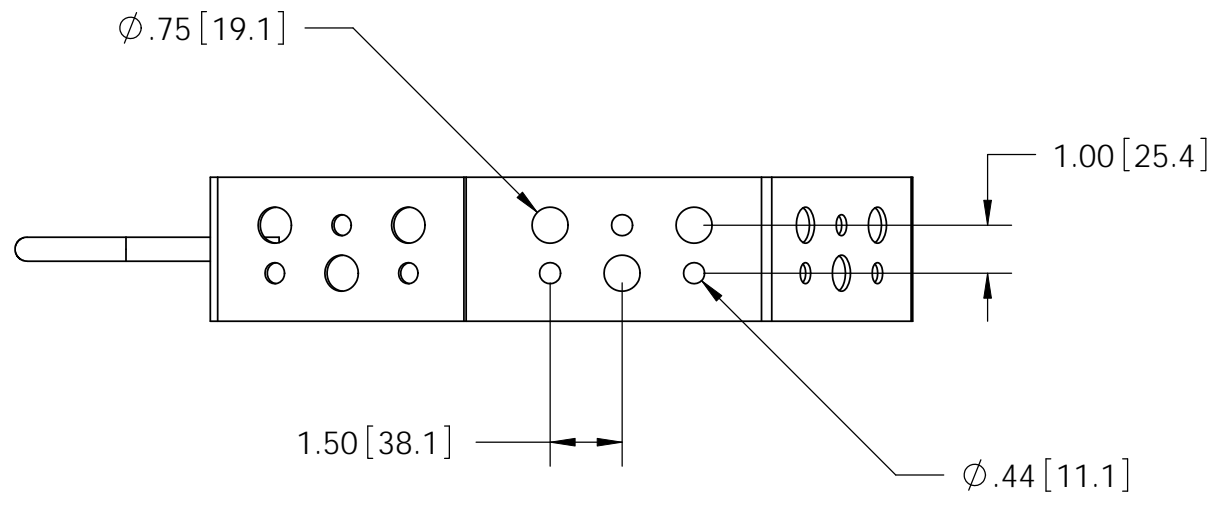
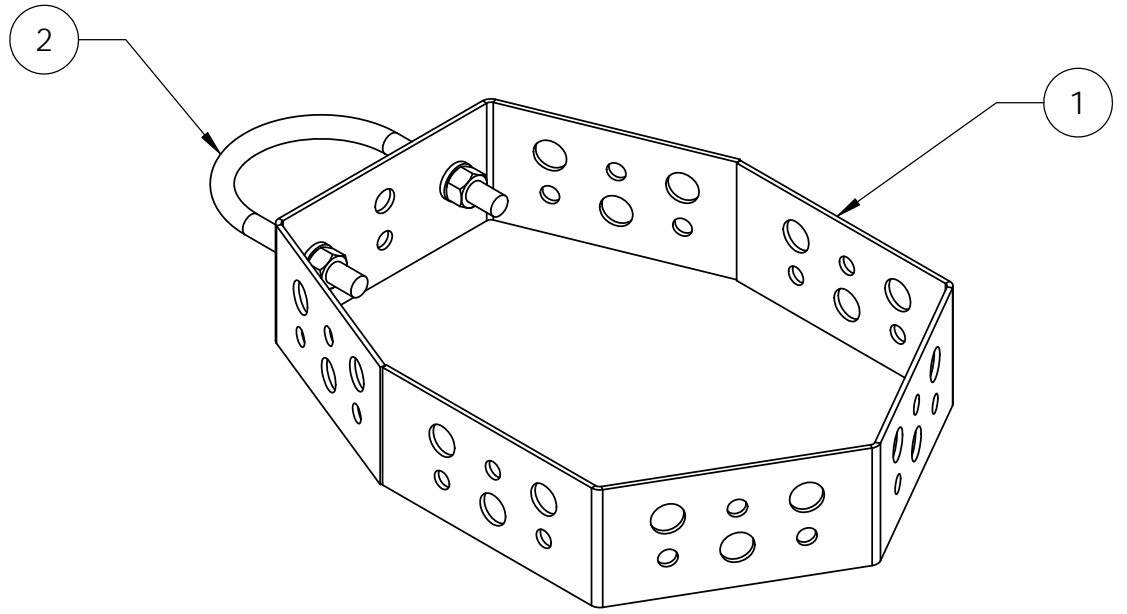
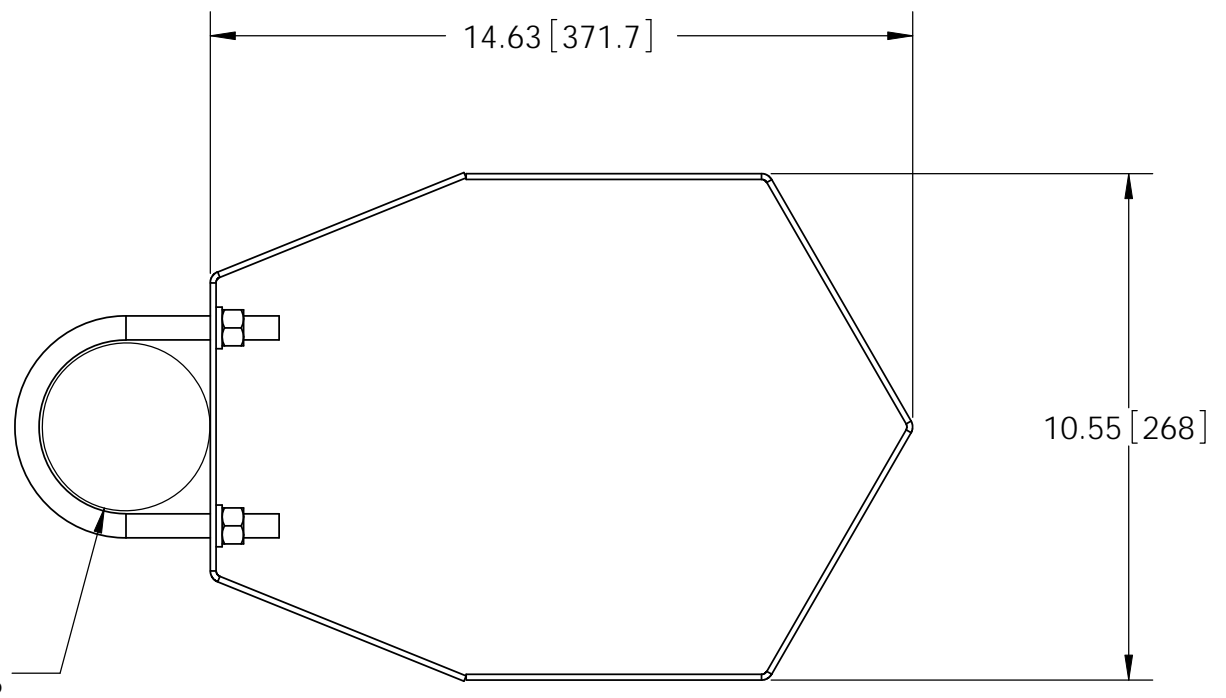



ITEM	PART NO.	DESCRIPTION	QTY.	WEIGHT
1	MTC330002	CLUSTER SUPPORT BRACKET, LARGE	1	3.87 LBS
2	GUB-4355	1/2" X 3-5/8" X 5" GALV U-BOLT	1	0.71 LBS

REVISIONS				
REV.	ZONE	DESCRIPTION	BY	DATE
A		INITIAL RELEASE	DRR	10/18/11



NOTES:
1. ALL METRIC DIMENSIONS ARE IN BRACKETS.

These drawings and specifications are the proprietary property of CommScope Inc. and may be used only for the specific purpose authorized in writing by CommScope Inc. ALL DIMENSIONS ARE IN INCHES U.O.S. TOLERANCES UNLESS OTHERWISE SPECIFIED: .X = ± .12 ANGLES ±2° .XX = ± .06 FRACTIONS ±1/32 .XXX = ± .031 REMOVE BURRS AND BREAK EDGES .005 DO NOT SCALE THIS PRINT	DRAWN BY: DRR	SHEET: 1 of 1	PART NUMBER: CS-BRL
	CHECKED BY: TP	SCALE: NTS	DESCRIPTION: SUPPORT BRACKET - LARGE
	DATE: 10/18/11	MATERIAL: A36	DRAWING TYPE: ASSEMBLY DRAWING
	REVISION: A	FINISH: GALV A123	 WESTCHESTER, IL. 60154 U.S.A.
	WEIGHT: 4.70 LBS		