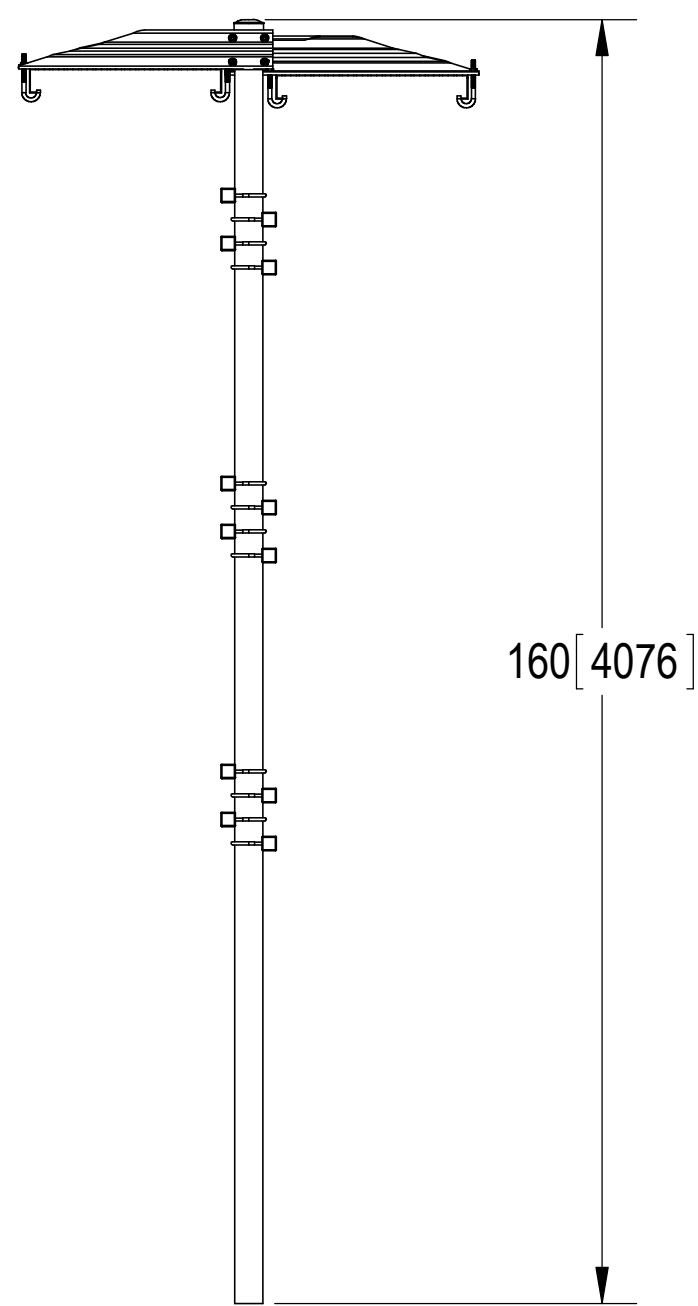
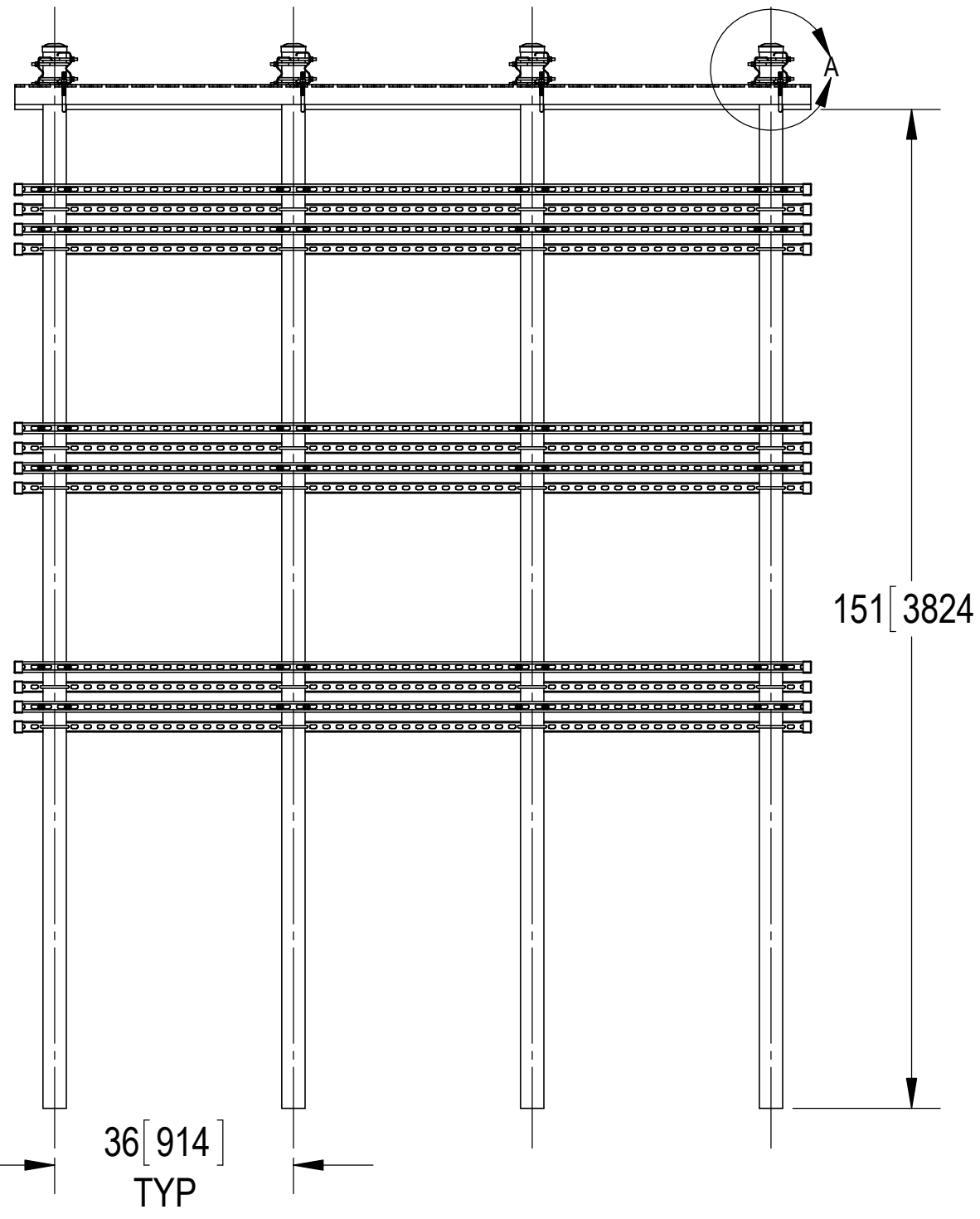
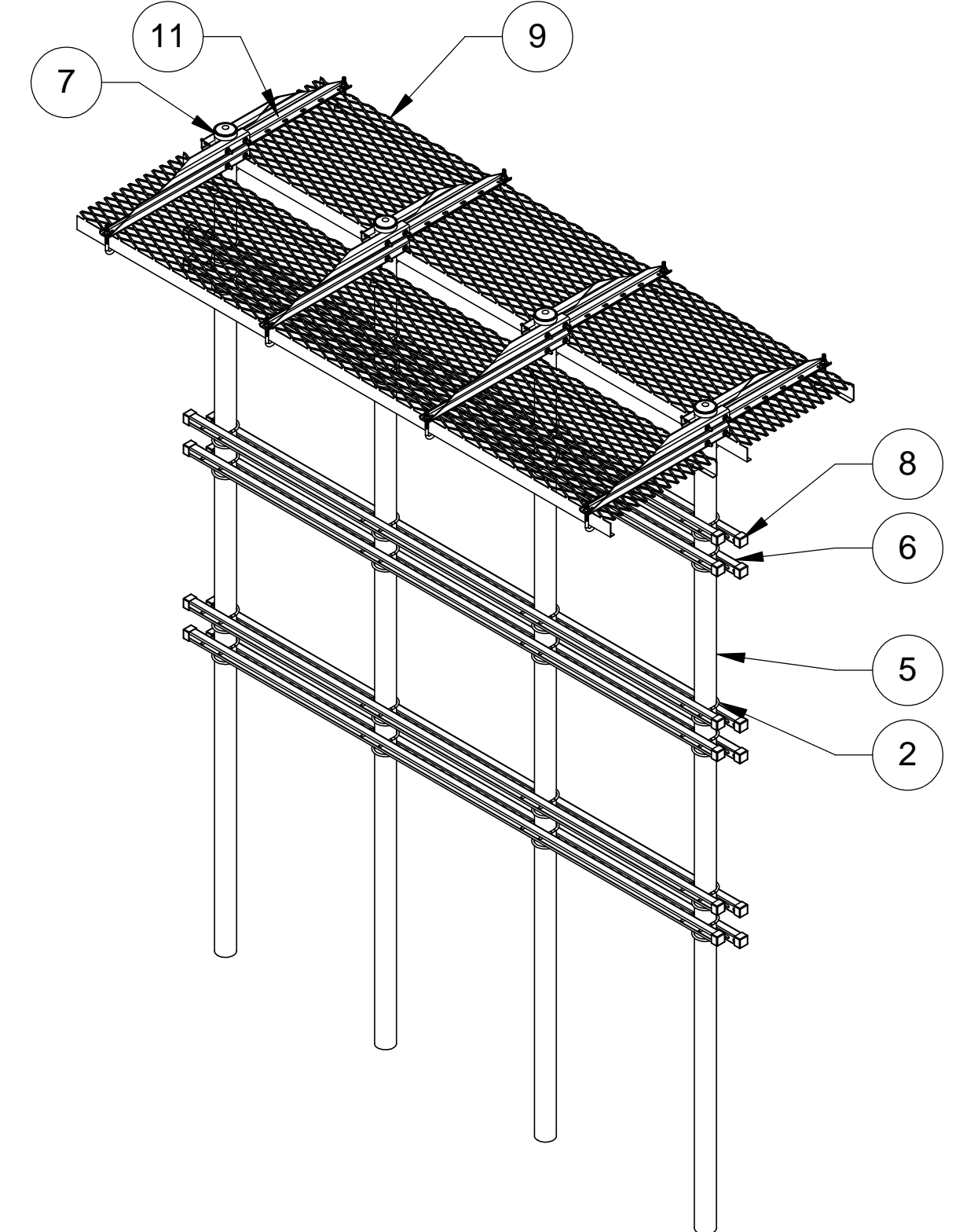
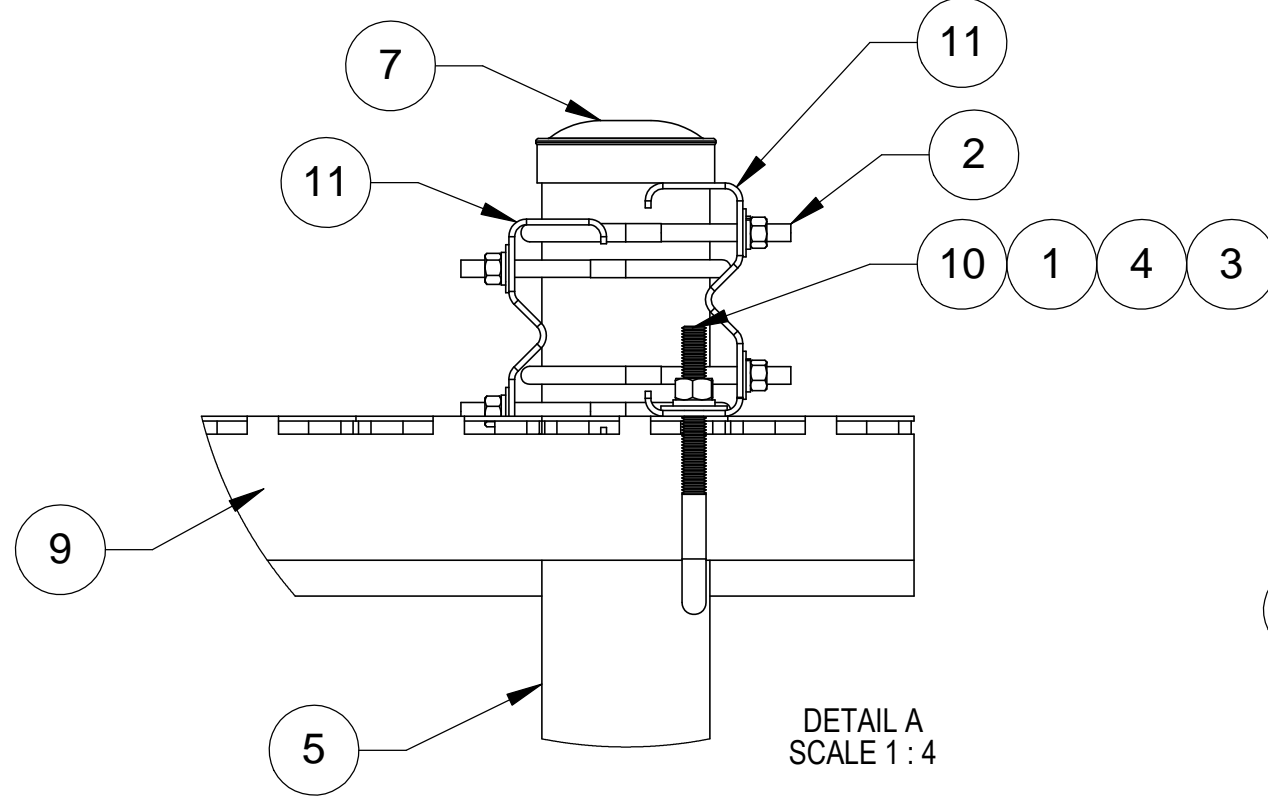
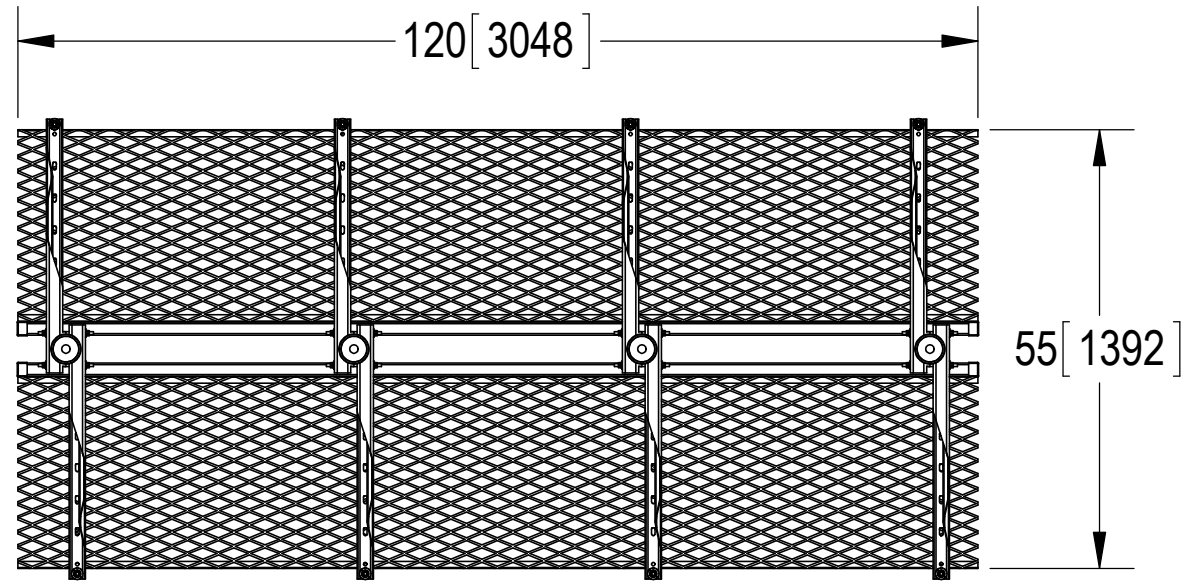


NOTES:
1.0 ALL METRIC DIMENSIONS ARE IN BRACKETS.

REVISIONS				
REV.	ECN	DESCRIPTION	BY	DATE
A	8000028694	INITIAL RELEASE	MRC	03/01/18



ITEM	PART NO.	DESCRIPTION	QTY.	WEIGHT	NOTE NO.
1	GN-04	1/2" GALV HEX NUT	16	0.04 LBS	
2	GUB-3355	3/8" X 3-5/8" X 5-1/4" GALV U-BOLT	64	0.40 LBS	
3	GWF-04	1/2" GALV FLAT WASHER	16	0.03 LBS	
4	GWL-04	1/2" GALV LOCK WASHER	16	0.01 LBS	
5	MF130165	3-1/2" O.D. X 160" L SCH 40 PIPE	4	78.64 LBS	
6	MT-504	SQUARE SUPPORT RAIL, 12 GA, SLOTTED, 120"	12	20.35 LBS	
7	PC-034	Ø 3 1/2" PIPE CAP	4	0.54 LBS	
8	PTCR01	END CAP	24	0.05 LBS	
9	WB-CY210	SAFETY GRATED WAVEGUIDE BRIDGE CHANNEL	2	49.23 LBS	
10	WBJB6	1/2" J-BOLT	16	0.41 LBS	
11	WBLB24308	24" WAVEGUIDE BRIDGE SUPPORT BRACKET	8	7.14 LBS	

COMMScope, INC. OF NORTH CAROLINA

TOLERANCES		SAP MATERIAL MASTER	
0 PLACE X ± .25	2 PLACE .XX ± .06	MTC4015120HC	
1 PLACE .X ± .12	ANGLES ± 2°		
FINISH		MATERIAL	
GALV A123		A500, A568, A1011	
UNLESS OTHERWISE SPECIFIED DIMENSIONS ARE IN MILLIMETERS INTERPRET PER ISO STANDARDS HANDBOOK TECHNICAL DRAWINGS VOLUMES 1 & 2, THIRD EDITION (2002)		TITLE	
CE	NAME	DATE	H-FRAME, 4POSTS, 12 UNISTRUTS, COVERED
RW	RJC	11/13/17	
RV			
AD			
RE	TP	11/13/17	
ECN	8000028694	SCALE	DOCUMENT NO.
		1:24	MTC4015120HC
SIZE	WORK AREA	MODEL	DRAWING
C		VERSION	STATUS
		REVISION	VERSION
		REVISION	STATUS
		REVISION	REVISION
			SHEET
			1 OF 1

DENSITY	0.28	lbs/in ³
MASS	755.80	lbs
VOLUME	2678.87	in ³
SURFACE AREA		in ²
HEIGHT		
LENGTH		
WIDTH		

© 2015 CommScope, Inc. Confidential