

REV.	MCO	DWN	DATE
C	20033410	CDZ	31-AUG-99
D	40032067MCO	OAVL	08-JUL-16

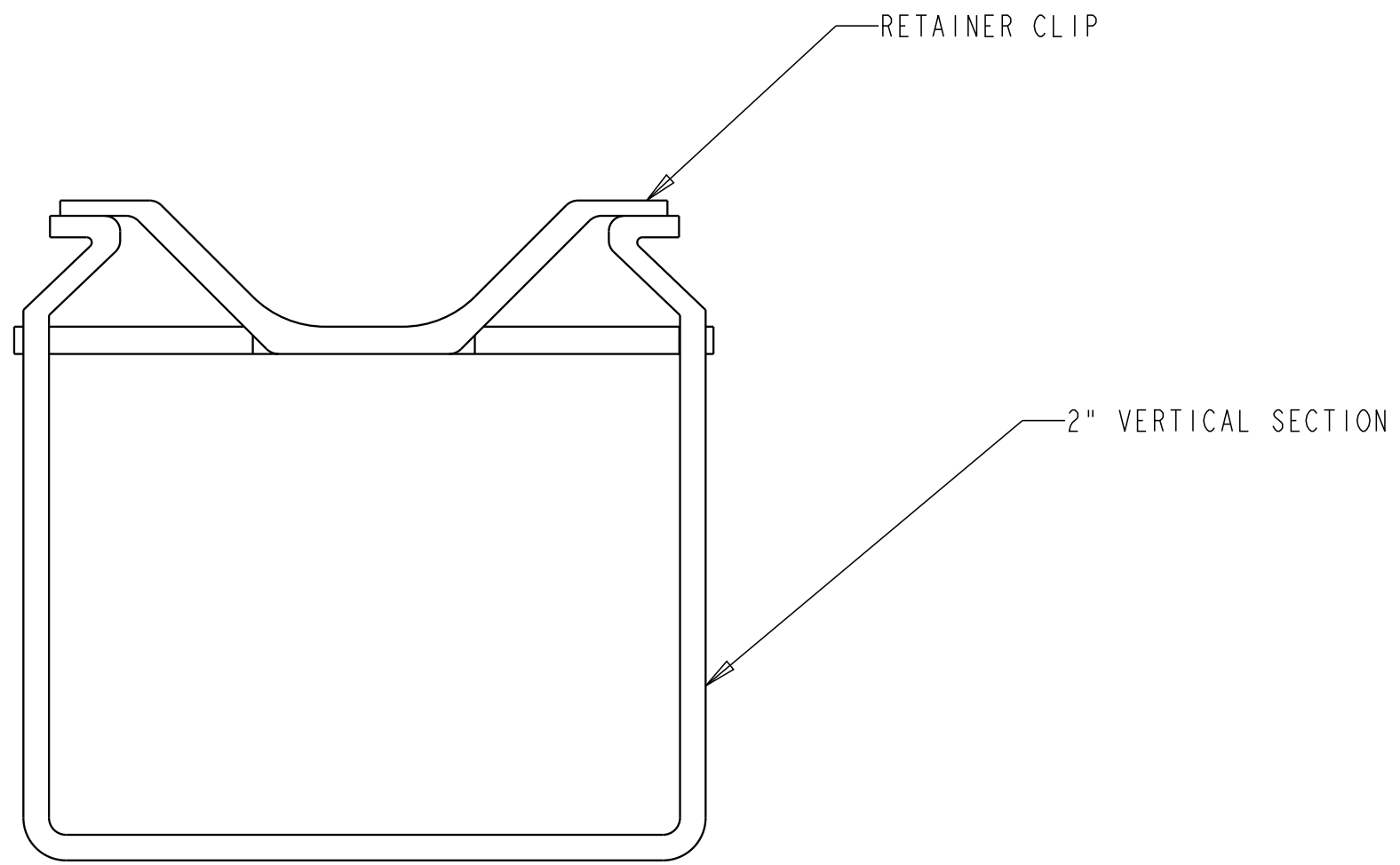


FIGURE 1

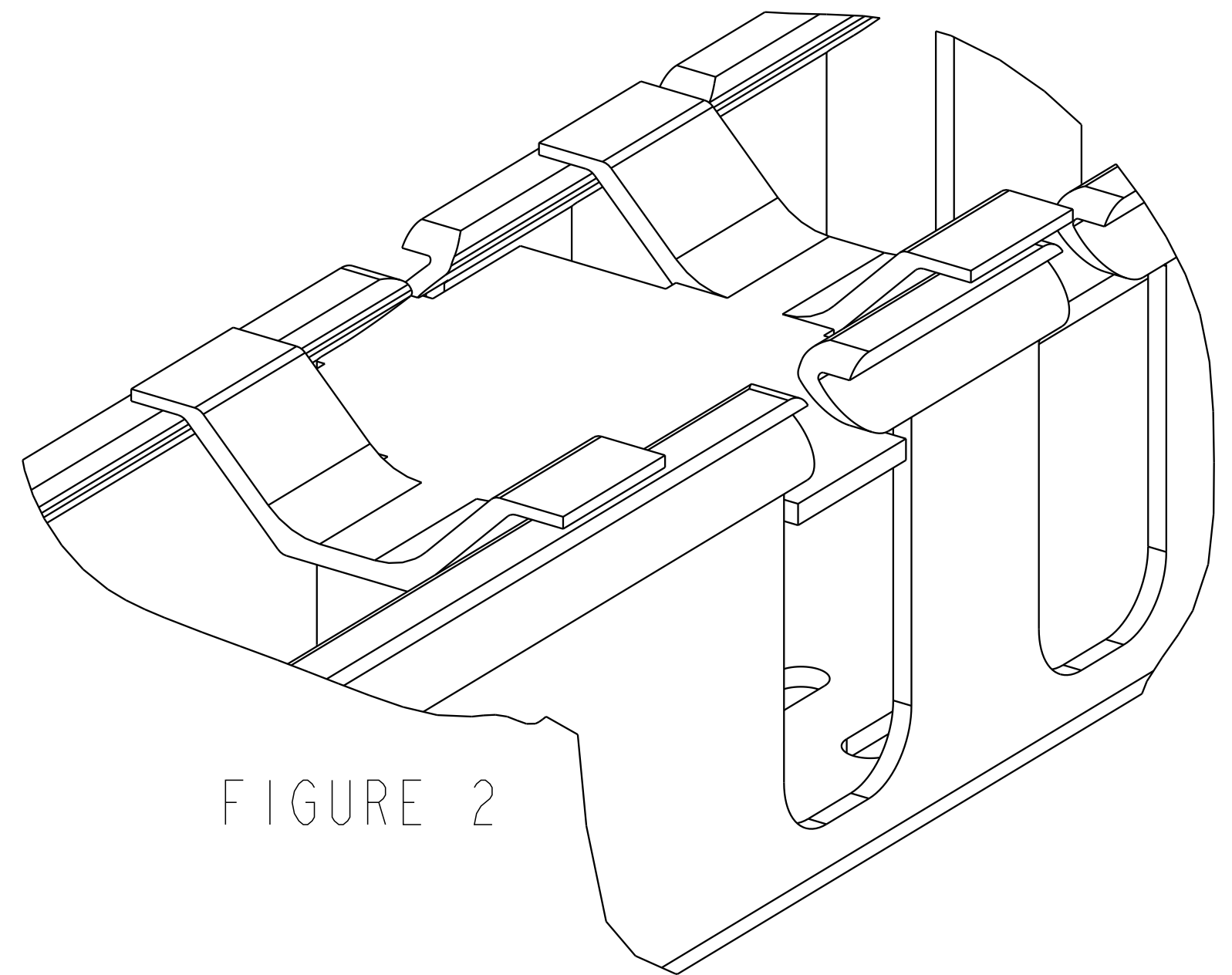


FIGURE 2

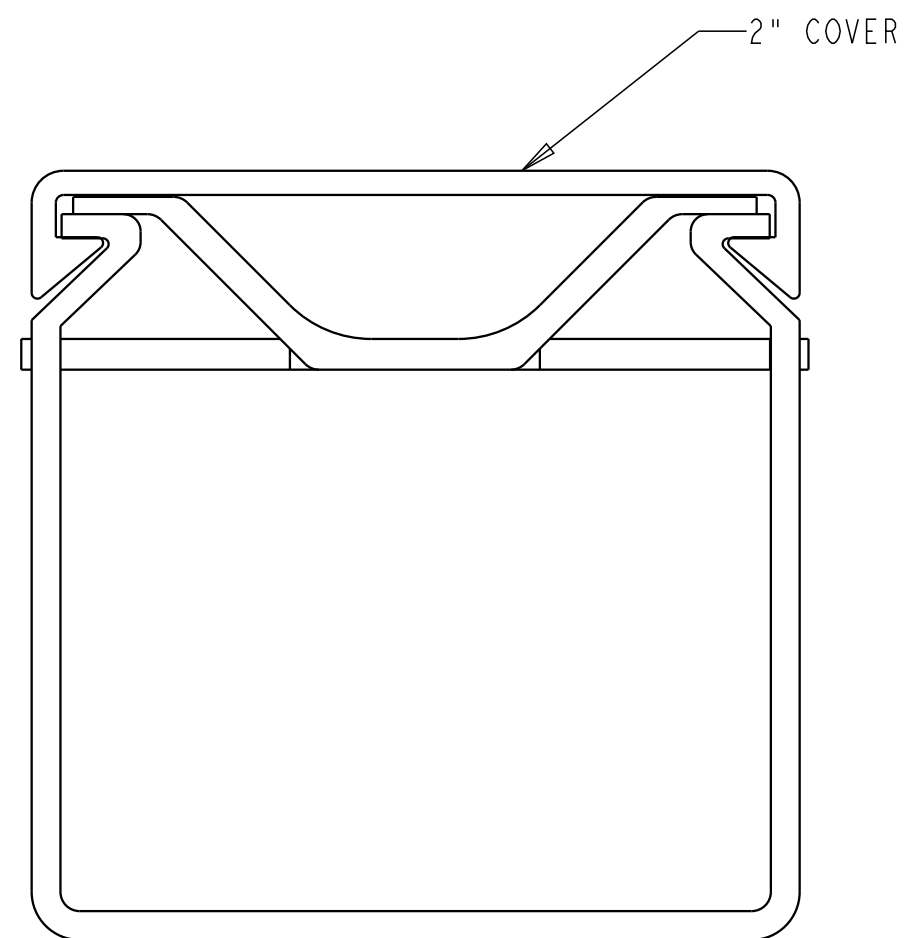


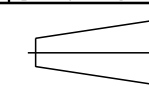
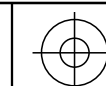
FIGURE 3

NOTES:

1. ATTACH THE RETAINER CLIP TO THE 2" VERTICAL SECTION AS SHOWN IN FIGURES 1 & 2.
2. PLACE THE COVER OVER THE CLIP/VERTICAL SECTION AND SHOWN IN FIGURE 3.
3. CUT GROMMET STRIPS TO $2.806 \pm .125$ LENGTHS.
4. INSERT CUT CROMMET STRIPS INTO DUCT SLOT WHERE EDGE PROTECTION IS REQUIRED.

COMMSCOPE, INC.

<small>© 2016 COMMSCOPE, INC. CONFIDENTIAL NOTICE: THESE DRAWINGS AND SPECIFICATIONS ARE THE PROPRIETARY PROPERTY OF COMMSCOPE, INC. AND MAY BE USED ONLY FOR THE SPECIFIC PURPOSE AUTHORIZED IN WRITING BY COMMSCOPE, INC.</small>		TITLE I.D., FGS RET CLIP 2" VERT SECTION	
<small>ALL DIMS AND TOLERANCES ARE INCHES UNLESS OTHERWISE SPECIFIED</small>	<small>.XX:±N/A .XXX:±N/A ANGULAR:±N/A</small>	C SIZE DRAWING NUMBER 1033509_ADC	D REV
DO NOT SCALE DRAWING		ENGR: S ZIMMEL DWN: S ZIMMEL	SHT. 1 OF 1



**DIMENSIONS IN INCHES
THIRD ANGLE PROJECTION**