

Remote Radio Angle Mount Kits: New Product

Global Communication

CommScope announces the release of two new Remote Radio Angle Mount Kits. Kits are designed for mounting equipment support pipes directly to angled sector frame members to increase mount capacity of existing sector frames by moving the additional load closer to the tower. These kits are compatible with angle-style sector frames, such as the CommScope SF-QV Series and SF-SU Series.

The RRU-AM-1 enables mounting of pipes directly to the front face of existing sector frame angle arms. This kit attaches to 90° angles from 1.5” to 3” and can accommodate pipes ranging from 1.88” to 3.5” OD (sold separately).

The RRU-AM-2 enables mounting of pipes directly to the inside of existing sector frame angle arms. This kit attaches to 90° angles from 2” to 3” and includes hardware for mounting 2.88” pipes (sold separately).

Ordering Information:

http://www.commscope.com/catalog/wireless/product_details.aspx?id=77897

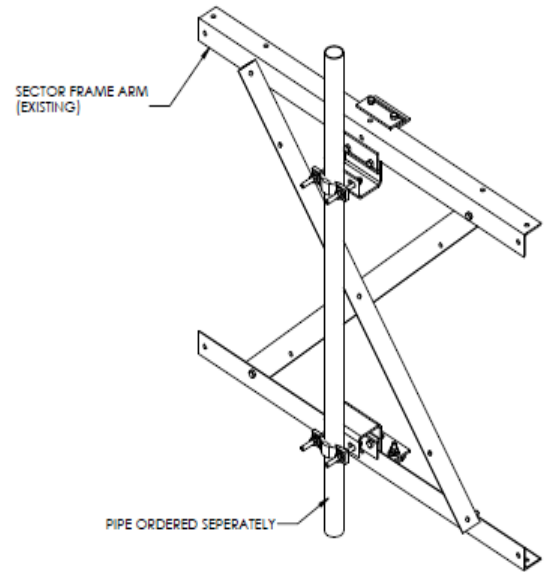
http://www.commscope.com/catalog/wireless/product_details.aspx?id=77898

Part Number	Description
RRU-AM-1	RRU Angle Mount Kit For 90° Angles 1.5” to 3” For Pipes 1.88” to 3.5” OD
RRU-AM-2	RRU Angle Mount Kit For 90° Angles 2” to 3” For Pipes 2.88” OD

Support Information

Please contact steelproducts@commscope.com for any additional information.
Office: 817-864-4112

RRU-AM-1
IN USE ATTACHED TO ANGLE MEMBERS



RRU-AM-2
IN USE ATTACHED TO ANGLE MEMBERS

