

New Building Entrance Fiber Box: BUDI with FOSC® trays

Global Communication

This product is designed for Fiber-to-the-Building (FTTB) deployments to multi-dwelling and multi-tenant units (MDU/MTU). For commercial and residential buildings requiring up to 48 fibers, the BUDI with FOSC® trays serves as a wall-mounted building entrance box and the demarcation point between indoor and outdoor fiber. Fibers can be spliced or patched. Up to 48 drop cables and 4 feeder cables are supported. Depending on the cable seal, cable size, and connector used, the configuration can be optimized for specific building types and operation practices.

Key Features and Benefits

Environmental protection

- Indoor/outdoor (IP54 rated) rugged termination point
- Proven BUDI enclosure that is UL listed and UV resistant
- Dimensions: 19.69" x 11.61" x 5.71" (L x W x D)

Splicing or patching

- Splice only, splice and patch, and patch only versions
- Fiber splicing using FOSC-A splice trays
- SC or LC connectors for patching

Wide range of cables size supported

- Drop cables up to 0.19 inch diameter, round or flat
- Feeder cables up to 1.02 inch diameter

Splitters and WDM

- Support G/EPON architectures, wavelength services, wireless traffic, or increase feeder fiber capacity with optical modules
- The FOSC-A splice trays support optical splitter and C/DWDM modules

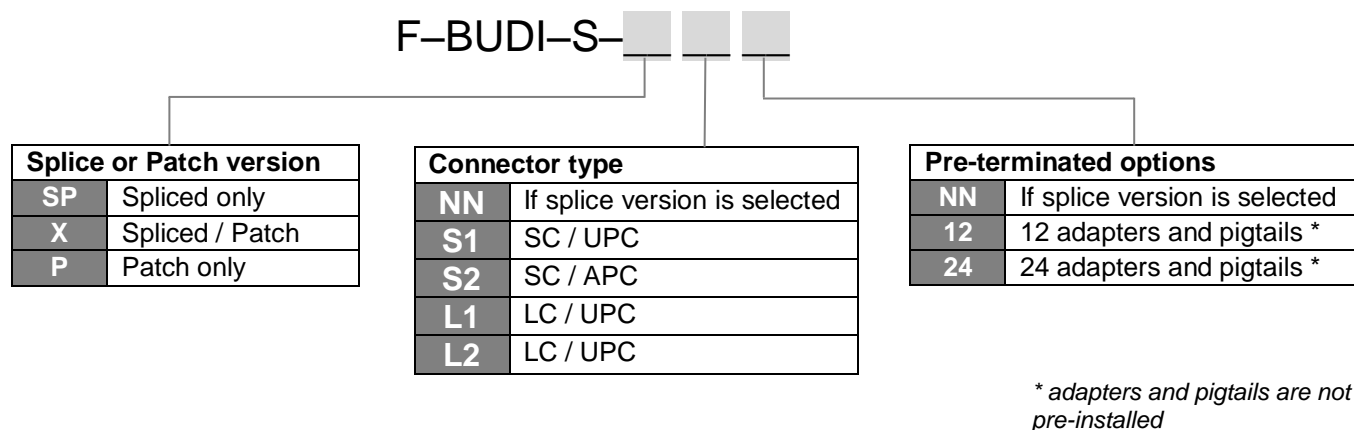


Splice only version



Splice and patch version with SC connectors

Ordering Information



Examples F-BUDI-S-SPNNNN is a splice only version.
 F-BUDI-S-XS212 is a splice/patch version, with 12 SC/APC adapters and pigtails

Kits with specific configurations including accessories can be ordered. Please contact your CommScope representative for more information.