

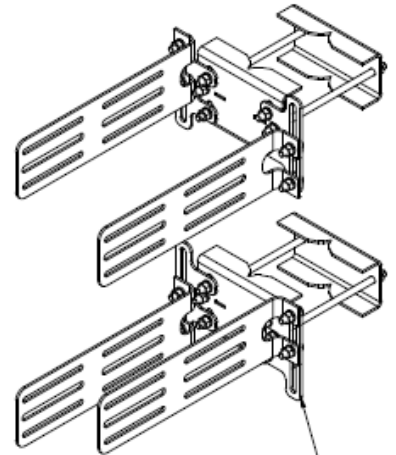
# Fast Access remote radio mounting bracket with extension: New Product

## Global Communication

CommScope has developed a new addition to our full line of RRH/RRU mounts – the Fast Access Mount with extension: RR-FA2-EXT. This new Radio Mount includes our “Fast Access” feature which allows mounting of the brackets to the radios prior to mounting into the tower clamps for easy installation along with extension brackets that allow 6.5” of adjustment for mounting radios with varying hole patterns.



- Designed to securely support RRUs and help prevent outdoor elements from affecting equipment performance.
- Fast-Access Design with Extension Plates that allow 6.5” of adjustment
- Removable brackets allow mounting to RRU then insertion into tower clamps for ease of installation
- Round legs up to 5-5/8” OD
- 60 Degree Angle legs up to 6”
- 90 Degree Angle legs up to 4 1/2”



PLATES ALLOW 6.5" OF ADJUSTMENT PER SIDE FOR MOUNTING EQUIPMENT WITH DIFFERENT HOLE PATTERNS.

### Ordering Information:

[http://www.commscope.com/catalog/tools\\_accessories/product\\_details.aspx?id=86751](http://www.commscope.com/catalog/tools_accessories/product_details.aspx?id=86751)

Part Number	Description
RR-FA2-EXT	Fast Access Remote Radio Mounting Bracket with Extension

Please contact CommScope’s Steel Products Group for any additional information.  
[steelproducts@commscope.com](mailto:steelproducts@commscope.com) - Office: 817-864-4112