

AT&T Helical Platform Solutions: New Product

North America Communication

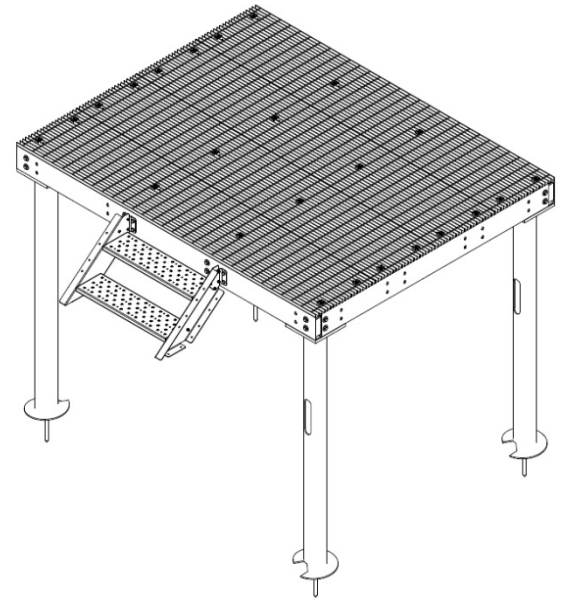
Announcing the release of a new line of wireless equipment platforms with helical anchor foundations specified for use by AT&T. CommScope’s new platforms are offered with three different sizes of helical anchors, with or without a canopy. All models are 8’ x 10’ with optional 4’ x 8’ extension kits, handrail kits, and bolt on H-Frames.

Helical Anchor Sizes:

- 7 feet long, 4 inch diameter helicals
- 7 feet long, 6 inch diameter helicals
- 15 feet long, 6 inch diameter helicals

Available Options:

- 4’ x 8’ Extension Kits
- H-Frame Kits
- Handrail Kits



Ordering Information:

Helical Foundation Size	Description	Part Number
7 feet long, 4-inch diameter	Equipment Platform, 8'x10' with (4) Helical feet	MTC39790704
	Equipment Platform plus Canopy, 8' x 10' with (4) Helical feet	MTC39790704C
	4 x 8 Platform Extension Kit with (2) Helical feet	MTC3982G0704
7 feet long, 6-inch diameter	Equipment Platform, 8' x 10' with (4) Helical feet	MTC3979
	Equipment Platform plus Canopy, 8' x 10' with (4) Helical feet	MTC3979C
	4 x 8 Platform Extension Kit with (2) Helical feet	MTC3982G
15 feet long, 6-inch diameter	Equipment Platform, 8' x 10' with (4) Helical feet	MTC39791512
	Equipment Platform plus Canopy, 8' x 10' with (4) Helical feet	MTC39791512C
	4 x 8 Platform Extension Kit with (2) Helical feet	MTC3982G1512
H-Frame - Bolt-on Design	H-Frame - Bolts onto Platform with 4" x 4" Support Tubes	MTC3983
Hand Rail - Bolt-on Design	Hand Rail Kit for 8'x10' Equipment Platform	MTC3979HR
	Hand Rail Kit for 4'x8' Platform Extension	MTC3982GHR

Supporting Information

Please contact your local CommScope representative or steelproducts@commscope.com for more information.