

FOSC 600D-XL splice closure supporting rollable ribbon fiber and 3456 splices

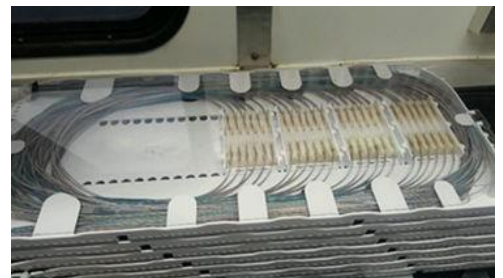
The FOSC 600 line of gel-sealed fiber optic splice closures are rugged and versatile platforms that can be deployed anywhere in the outside plant for a multitude of functions including:

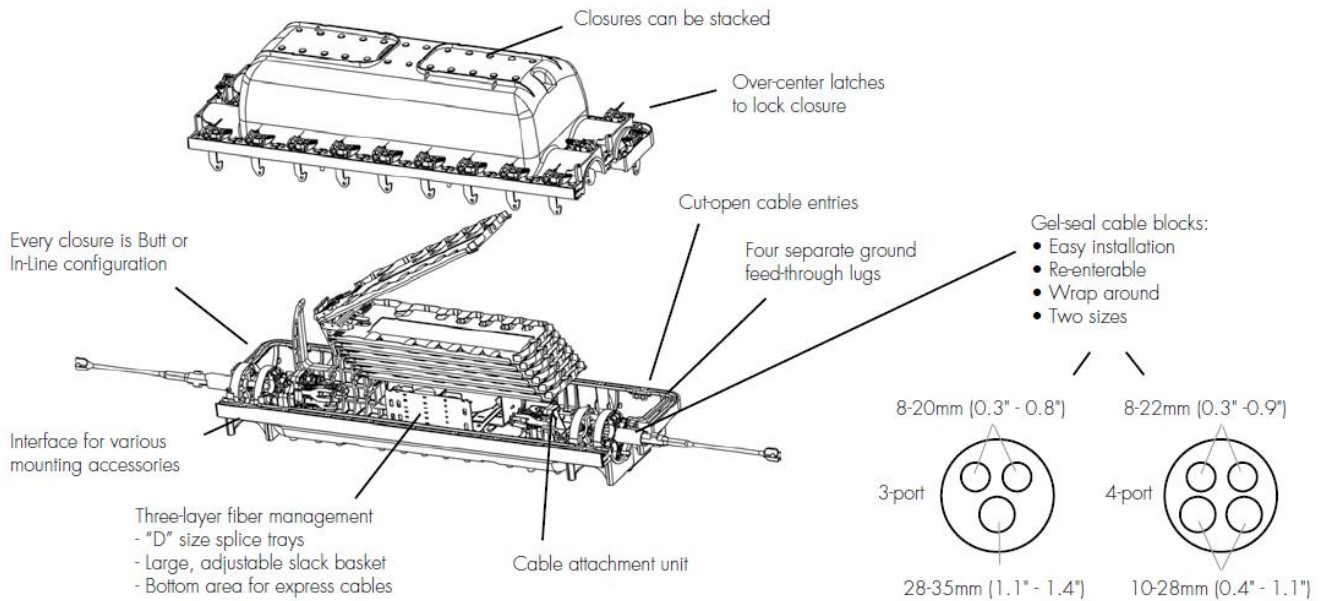
- the splicing of most any type and size of fiber cable
- the housing of connectorized distribution and demarcation points
- the deployment of optical passives, such as splitters, C/DWDM, and taps

The sealing system for FOSC features the versatile and popular gel-sealing technology for terminating cables, and a unique latching system for quickly opening and closing the body.

The FOSC 600D-XL is a high-density closure featuring:

- Support for rollable or spider ribbon fiber cables
- Up to 3456 fiber splices
- Compact size 10"x10.8"x32.6" (25.4x27.4x82.8cm) HxWxD
- 12 splice trays, 288 splices per tray
- Hinging splicing trays that provide controlled access to splices and slack storage
- Six or eight cable entry ports. Accommodates fiber cables up to 35 mm (1.38") in diameter
- Storage basket included
- Slack ribbon storage on the same tray as mass fusion splices
- Single-ended (butt style) closure
- All internal parts can be removed for reconfiguration

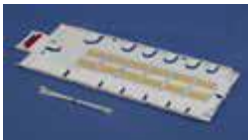




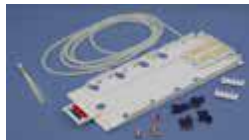
Ordering Information

MID	Catalog number	Description
FOSC 600D-XL with splice trays		
379484-000	FOSC600-D6B-24-12-X2VXL	3456 fiber splice capacity. FOSC 600D-XL Fiber Optic Splice Closure Kit with 12 x FOSC D-48 standard size splice trays installed, each capable of up to 288 splices of 12 fiber “rollable ribbon” or “spider ribbon” fiber. Kit also includes 2 x 3-port FOSC 600 gel blocks, XL version slack storage basket, 2 x ground feedthrough lugs, flash test valve, and associated closure hardware and components.
233947-000	FOSC600-D6B-R2-6-X2VXL	1728 fiber splice capacity. FOSC 600D-XL Fiber Optic Splice Closure Kit with 6 x FOSC D size Ribbon splice trays installed, each capable of up to 288 splices of ribbon 12 fiber. Kit also includes 2 x 3-port FOSC 600 gel blocks, XL version slack storage basket, 2 x ground feedthrough lugs, flash test valve, and associated closure hardware and components.
371599-000	FOSC600-D8B-R2-6-X2VXL	864 fiber splice capacity. FOSC 600D-XL Fiber Optic Splice Closure Kit with 6 x FOSC D size Ribbon splice trays installed, each capable of up to 288 splices of ribbon 12 fiber. Kit also includes 2 x 4-port FOSC 600 gel blocks, XL version slack storage basket, 2 x ground feedthrough lugs, flash test valve, and associated closure hardware and components.

MID	Catalog number	Description
FOSC 600D-XL without splice trays		
854729-000	FOSC600-D6B-NT-0-X2VXL	Six cable entry ports. FOSC 600D-XL Fiber Optic Splice Closure Kit with no splice trays installed, offering the flexibility to add any of the FOSC D (or C) splice trays separately. Kit also includes 2 x 3-port FOSC 600 gel blocks, XL version slack storage basket, 2 x ground feedthrough lugs, flash test valve, and associated closure hardware and components.
359472-000	FOSC600-D8B-NT-0-X2VXL	Eight cable entry ports. FOSC 600D-XL Fiber Optic Splice Closure Kit with no splice trays installed, offering the flexibility to add any of the FOSC D (or C) splice trays separately. Kit also includes 2 x 4-port FOSC 600 gel blocks, XL version slack storage basket, 2 x ground feedthrough lugs, flash test valve, and associated closure hardware and components.
Splice Tray Kits and Accessories		
426579-000	FOSC-ACC-D-TRAY-36	Single height tray used for 864, 1728, and 3456 total splice capacity. 36 fusion splices per tray with 6 x 6-position modules. 2 trays included.
061064-000	FOSC-ACC-D-TRAY-RIBN-24	Double height tray used for 864 and 1728 total splice capacity. 24 mass fusion splices per tray with 4 x 6-position modules. 1 tray included.
757849-000	SMOUV-1120-R2/12-02	SMOUV Splice Protection Sleeves (min order qty. 1000). Heat-shrinkable mass fusion 12-fiber ribbon.



426579-000



061064-000



757849-000

Note: Splice tray kits include tray, clear cover, splice modules, and tie wraps. Consult your CommScope representative to determine which tray is recommended depending on the cable count and style of ribbon cable construction.

For information on additional FOSC 600 parts and accessories, please visit www.commscope.com or contact your CommScope representative.