

Adjustable V-Stabilizer™ Kits: New Product

North American Communication

Announcing the release of new adjustable designs which have been added to CommScope’s Universal V-Stabilizer™ family of tower sector frame reinforcement kits. V-Stabilizer kits add extra capacity to existing sector frames to enable mounting of additional equipment such as radios or antennas. The new models feature adjustable angled supports and include options for vertical stabilization only or our dual V-Stabilizers which offer both vertical and horizontal reinforcement. V-Stabilizers are designed to mount to the face pipes of existing sector frames ranging from 1.9” to 3.5” OD and offer tower mounting options for both small (2”- 8” OD) and large (5” – 16” OD) tower legs.

Features:

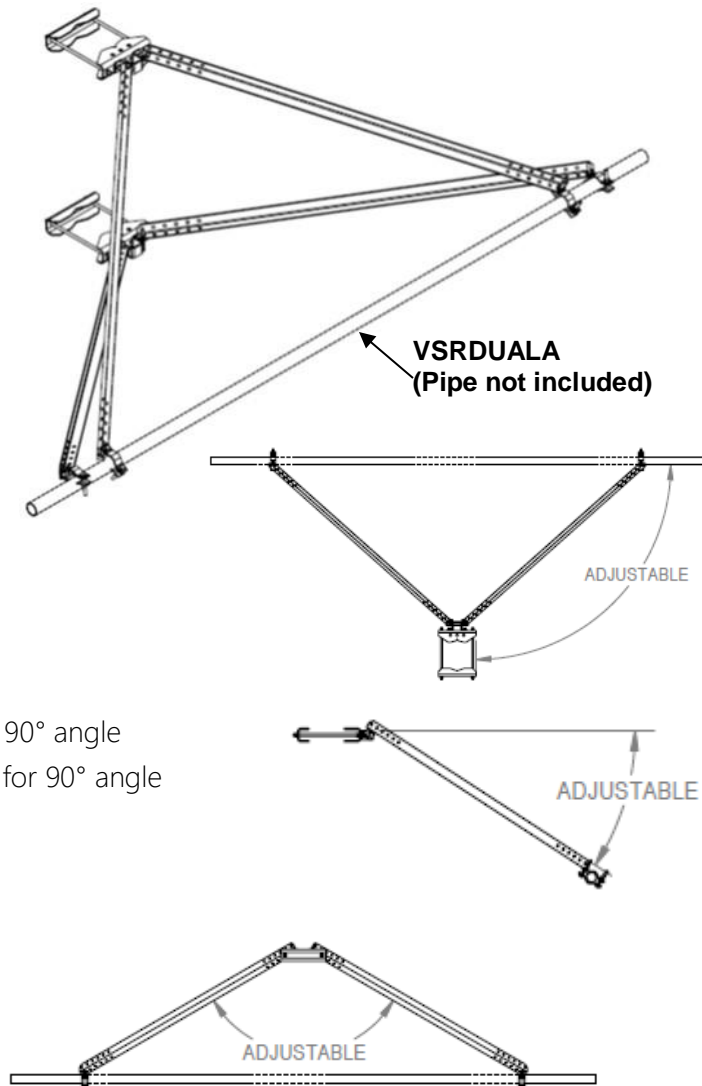
- Vertical or Dual Vertical and Horizontal Stabilization
- Small Leg option 2” to 8” Round or 60° angle, up to 6” for 90° angle
- Large Leg option 5” to 16” Round or 60° angle, up to 11.5” for 90° angle
- Attach to Existing Face Pipes from 1.9” to 3.5” OD

Specifications:

- Maximum Additional Dead Load: 1,500 Pounds
- Maximum Additional Front Wind Load: 750 Pounds
- Maximum Additional Side Wind Load: 400 Pounds

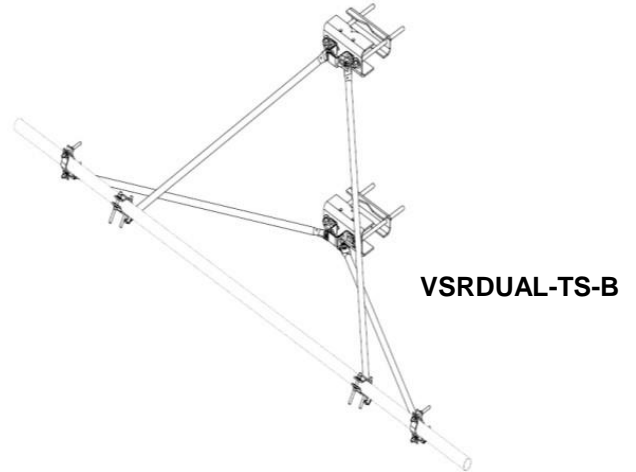
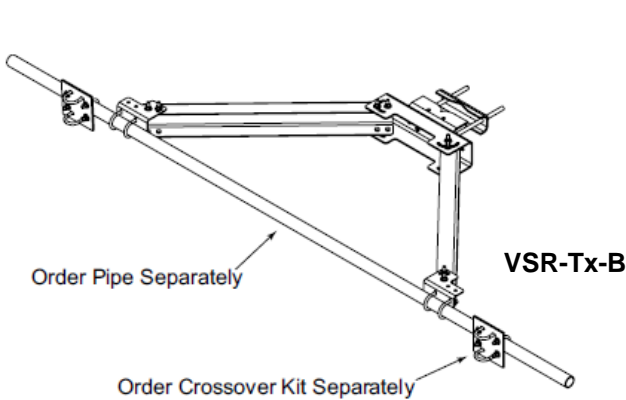
Ordering Information:

Reinforcement type	Description	Tower Mounting	Part Number
Vertical	V-Stabilizer Kit with Adjustable Angle Supports – attach to existing Sector Frame Face Pipes 1.9” to 3.5” OD	2” – 8” OD	VSRA-TS-B
		5” – 16” OD	VSRAL-TS-B
Dual Vertical & Horizontal	Dual V-Stabilizer Kit with Adjustable Angle Supports – attach to existing Sector Frame Face Pipes 1.9” to 3.5” OD	2” – 8” OD	VSRDUALA-TS-B
		5” – 16” OD	VSRDUALAL-TS-B



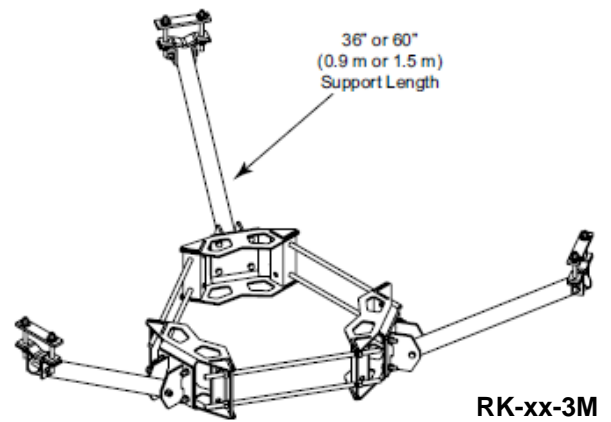
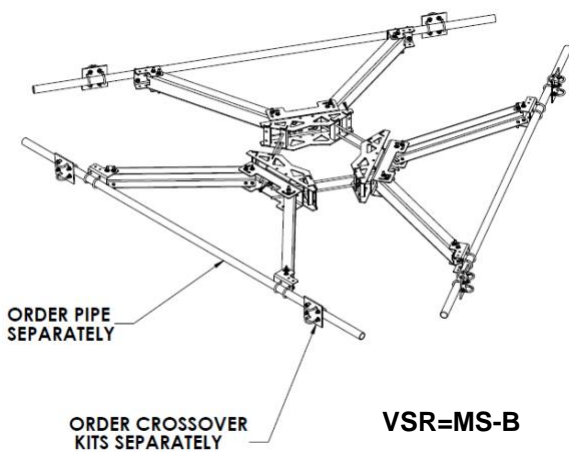
Related Products – Tower Reinforcement Kits:

Reinforcement type	Description – Attach to existing Face Pipes 1.9" to 3.5" OD	Tower Mounting	Part Number
Vertical	V-Stabilizer Kit	2" – 8" OD	VSR-TS-B
		5" – 16" OD	VSR-TL-B
Dual Vertical & Horizontal	Dual V-Stabilizer Kit	2" – 8" OD	VSRDUAL-TS-B
	Heavy Duty Dual V-Stabilizer Kit	2" – 8" OD	VSRDUAL-TS-B-HD



Related Products – Monopole Reinforcement Kits:

Reinforcement type	Description	Monopole Mounting	Part Number
Vertical	Monopole V-Stabilizer	10" – 50" OD	VSR-MS-B
Monopole Kicker Kit	Monopole Kicker Kit – 3-Sector with 36" Kicker	10" – 50" OD	RK-36-3M
	Monopole Kicker Kit – 3-Sector with 60" Kicker	10" – 50" OD	RK-60-3M



Please contact your local CommScope representative or steelproducts@commscope.com for more information.