

AIR FOSC splice closure for aerial deployment: New Product

AIR FOSC fiber optic splice closures are designed for aerial, strand-mount FTTH “tap” locations where drop cables are spliced to distribution cables.

Available in two sizes (A and B), these freebreathing closures combine robust cable sealing gel technology and standard FOSC splice tray in a strong, rodent-proof outer body.

AIR FOSC closures are compatible with loose buffer tube and central core tube cables containing stranded or ribbon fiber, and feature a convenient flipdown basket for fiber splice tray storage.

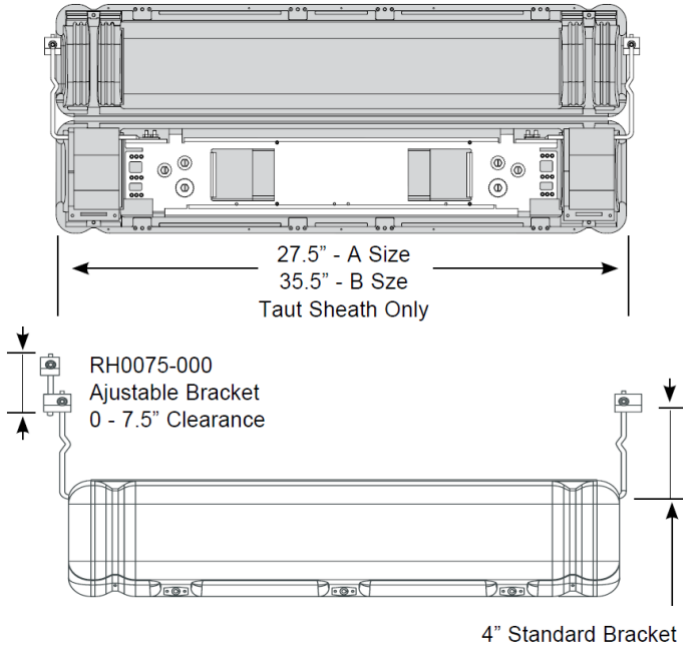
The AIR FOSC “A” closure is the smaller of the two and facilitates in-line splicing with stored buffer tube or ribbon slack. The “A” size is available with sealed connectors (see FTerm AF closure data sheet). The “B” size is longer and can be used for either in-line splicing or taut sheath splicing where no slack storage is available.



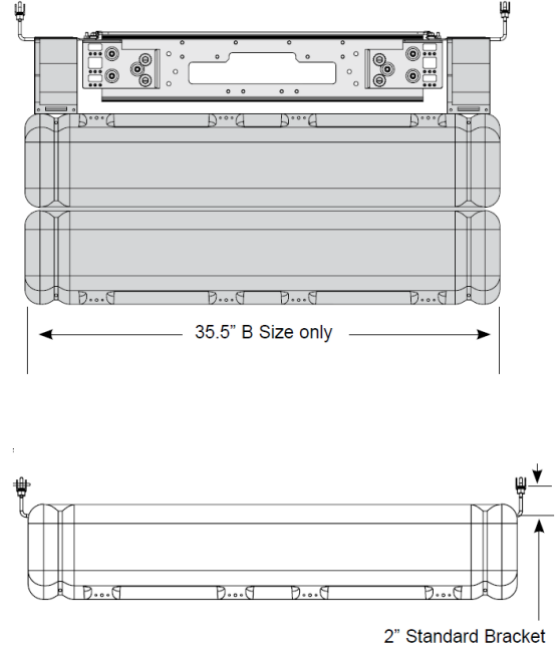
Features and Benefits

- Free Breathing
- Gel-Seal Cable Sealing
- In-Line and Taut Sheath Capabilities
- Compatible with most cable types.
- Outer body can be completely removed for 360 degree splice access.
- Re-useable gel end pieces open and close easily for adding or removing drop cables providing efficient cable installation with no mess.
- Six cable ports accommodate up to 18 cables and provide flexibility for a variety of applications.
- Accommodates standard FOSC A or B splice trays (depending on model)
- Removable splice tray holder available for convenient aerial splicing.
- Optional adjustable hanger bracket or extension brackets for added flexibility.
- Accepts C/DWDM and optical splitter modules





AIR FOSC with metal frame (A or B sizes)



AIR FOSC B - plastic frame

Ordering Information

AIR-FOSC

Size

A	Size A closure (smaller). Accepts FOSC A splice trays.
B	Size B closure (larger). Accepts FOSC B splice trays

Closure Style

GEN	Generic: Plastic Frame - B Size; Metal Frame - A
TSH	Taut Sheath, Metal - B Size Only

Tray Style

12	Standard 12 splice capacity tray
24	Standard 24 splice capacity tray
RB	Ribbon fiber tray
NT	No tray

Options

S	Standard Hanger Bracket
X	Adjustable Hanger bracket (metal frame only). Use Extension bracket for Plastic Frame

Grounding

G	Grounding
N	No grounding

Number of Trays

0-2	With protection enclosure
0-4	With ribbon tray

Accessories

Part number	Catalog number	Description
RH0075-000	FOSC-ACC-AIRFOSCADJSTBKT	Adjustable Hanger Bracket Kit. Hanger brackets allow the AIR FOSC closure to be lowered or raised relative to the strand (metal frame).
538565-000	FOSC-ACC-AIRFOSC-EXTNBKT	Extension Bracket. plastic frame - 20/kit
794321-000	AIR-FOSC-B-EXT	Closure Extension (plastic frame)
E10170-000	FOSC-ACC-AIRFOSCSTRAYHLDR	Tray Holder Kit. Convenient tray holder for use during installation. Only for metal frame.
497817-000	FOSC-ACC-A-TRAY-12	FOSC A splice tray, 12 splice capacity
429567-000	FOSC-ACC-A-TRAY-24	FOSC A splice tray, 24 splice capacity
898849-000	FOSC-ACC-B-TRAY-12	FOSC B splice tray, 12 splice capacity
863927-000	FOSC-ACC-B-TRAY-24	FOSC B splice tray, 24 splice capacity
709972-000	FOSC-ACC-A/B-TRAY-12-RBN	Ribbon splice tray kit.
RH0076-000	FOSC-ACC-AIRFOSC-SM-KIT	Strength Member Tie Downs (25/kit). Extra strength member tie downs.

Note: Splice tray kits include tray, clear cover, splice modules, and tie wraps. Consult your CommScope representative to determine which tray is recommended depending on the cable count and style of ribbon cable construction.

For information on additional AIR FOSC parts and accessories, please visit www.commscope.com or contact your CommScope representative.