

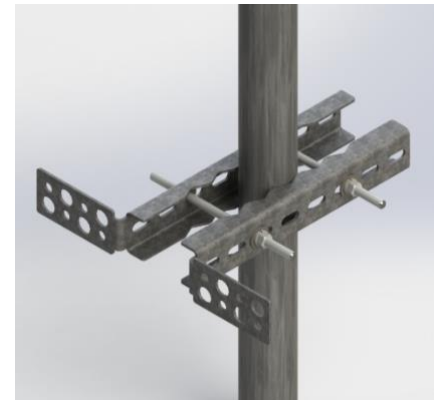
PIM-guard Cable Support Brackets: New Product

Announcing the release of a new line of cable support brackets that are designed to reduce PIM in the high-risk zone around antennas. PIM-guard (PG) Series Cable Support Brackets are designed with clamps that firmly secure the brackets to antenna pipes, eliminating loose metal connections which can cause PIM issues. Manufactured from hot-dipped galvanized steel, PG Series Cable Support Brackets also eliminate PIM concerns from dissimilar metals or corrosion. The PG Series is recommended for use with CommScope’s new SnapTak™ PIM-guard adjustable hangers made from an engineered composite material to eliminate PIM near critical antenna and RRU connections.

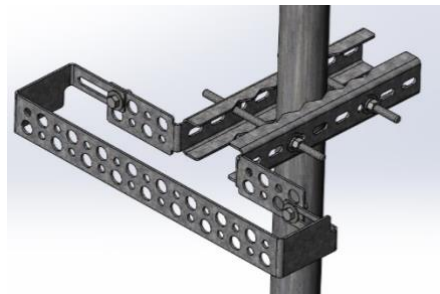
- PIM-guard family of cable attachment and support
- Secure metal clamp designs
- Hot-dipped galvanized steel
- PG-CS Series: 8-port or 23-port for use under antennas
- PG-RM Series: 6-port for use on round members
- Best for use with SnapTak PIM-guard adjustable hangers

Ordering Information:

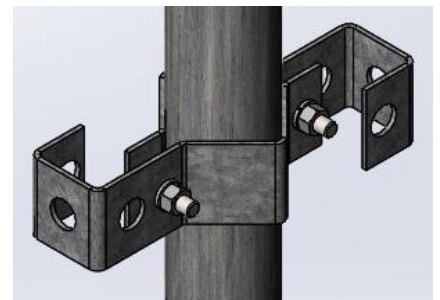
Part Number	Description
PG-CS08	8-port Cable Support Bracket Kit. Mounts to 1.9" to 4.5" OD Pipe
PG-CSEB17	Cable Support Expansion Bracket to expand PG-CS08 to 23 ports
PG-CS23	23-port Cable Support Bracket Kit. Mounts to 1.9" to 4.5" OD Pipe
PG-RM06	6-port Bracket kit for Round Members 2 3/8" to 3 1/2" OD



PG-CS08 Cable Support Bracket



PG-CS23 Cable Support Bracket



PG-RM06 Round Member Bracket

Supporting Information

Please contact your local CommScope representative or steelproducts@commscope.com for more information.