

## OTE2 Series, Optical Terminal Enclosure, 8-port full-size connector, no splitter, gray, wall mount

- Optical Terminal Enclosures incorporate hardened connector technology that is designed to withstand the rugged outside plant environment
- Offers a unique solution for splicing, termination and pass-through cable applications in optical drop cable deployments
- Hardened adapters are factory-terminated and environmentally sealed to ensure rapid plug-and play drop cable installations
- The universal cable termination system guarantees easy, fast and reliable cable fixation and manipulations

## Product Classification

<b>Product Type</b>	Access terminal, without splitter/tap
<b>Product Series</b>	OTE
<b>Regional Availability</b>	Asia   Australia/New Zealand   EMEA   Latin America

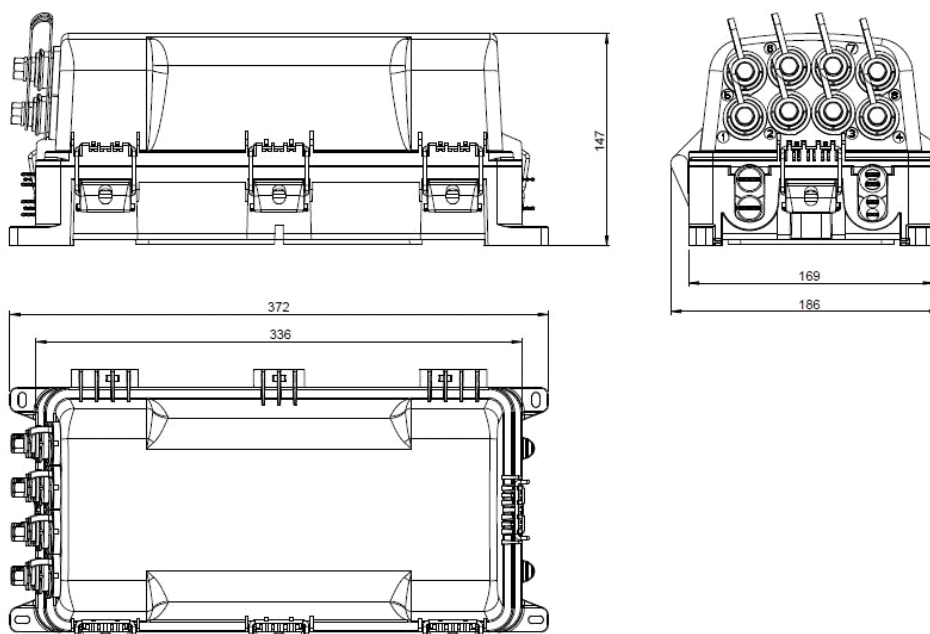
## General Specifications

<b>Distribution Type</b>	8 ports
<b>Port, quantity</b>	8
<b>Port Type</b>	Hardened full-size SC/APC
<b>Stub Type</b>	No tail
<b>Application</b>	Accepts fiber drop cables, 7 mm diameter   Accepts fiber feeder cables, 10-16 mm diameter   For holding up to 5 24-way splice trays   Offers up to 16 hardened adapter ports   Offers up to 4x4 standard cable ports
<b>Cable, quantity</b>	0
<b>Enclosure Color</b>	Gray
<b>Includes</b>	Cable fixation kit (5)   Cable seal kit (4)   Enclosure (1)   Splice cassette (4)   Wall fixation screws (4)
<b>Package, quantity</b>	1
<b>Packaging Type</b>	Box   Carton
<b>Splice Tray Included, quantity</b>	4
<b>Splice Tray Type Included</b>	24-way, heat shrink
<b>Splitter, quantity</b>	0

## Dimensions

<b>Depth</b>	186.00 mm   7.32 in
<b>Height</b>	147.00 mm   5.79 in
<b>Width</b>	372.00 mm   14.65 in

## Dimension Drawing



## Mechanical Specifications

<b>Enclosure Material Type</b>	Glass filled polypropylene (GF-PP)
<b>Mount Type</b>	Pole   Wall

## Optical Specifications

<b>Wavelength Range</b>	1260–1635 nm
-------------------------	--------------

## Environmental Specifications

<b>Environmental Space</b>	Above ground   Below ground   Buried
<b>Operating Temperature</b>	-40 °C to +65 °C (-40 °F to +149 °F)
<b>Qualification Standard</b>	IEC 60529, IP65
<b>Relative Humidity</b>	5%–100%, non-condensing
<b>UV Resistance</b>	UV stabilized

## Regulatory Compliance/Certifications

Agency	Classification
RoHS 2011/65/EU	Compliant
ISO 9001:2015	Designed, manufactured and/or distributed under this quality management system

