

# FST-B-PH04-J24-N



FST Flexible Service Terminal, Branch, 1 HMFOC Input Plug (Black), 4 Single-fiber Branches (Full-size Adapters) and 2 Multi-fiber Branches (4-Fiber)

- Flexible Service Terminals incorporate hardened connector technology that is designed to withstand the rugged outside plant environment
- Hardened connectors are factory-terminated and environmentally sealed for use in optical drop cable deployments
- Flexible structure plus very small branching unit, allowing installation in constrained spaces
- Output cables are staggered, optimizing distributed space consumption and minimizing cable kinking

## Product Classification

<b>Product Type</b>	Access terminal, with branch
<b>Product Series</b>	FST-B
<b>Regional Availability</b>	Asia   Latin America   North America

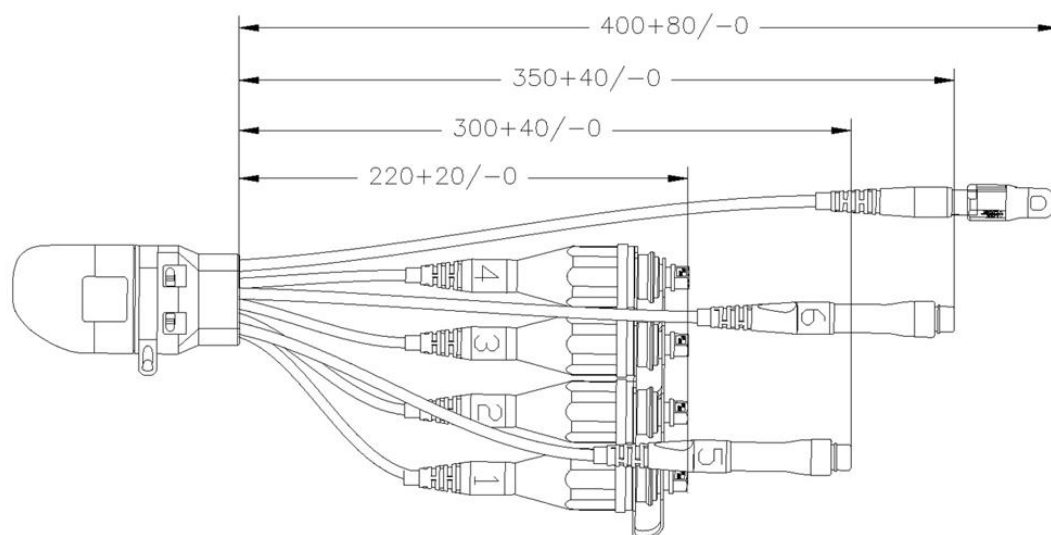
## General Specifications

<b>Distribution Type</b>	4 ports
<b>Port, quantity</b>	4
<b>Cable Type</b>	Dielectric - Flat - Loose Tube
<b>Port Type</b>	Hardened full-size SC/APC
<b>Stub Type</b>	Hardened multi-fiber (HMFOC) plug
<b>Cable, quantity</b>	6
<b>Enclosure Color</b>	Black
<b>Package, quantity</b>	1
<b>Packaging Type</b>	Box   Carton
<b>Splitter, quantity</b>	0

## Dimensions

<b>Cable Length</b>	0.40 m   1.30 ft
<b>Outer Cable Dimensions</b>	5.0 mm (0.20 in)
<b>Weight, without cable</b>	0.68 kg   1.50 lb

## Dimension Drawing



## Mechanical Specifications

<b>Enclosure Material Type</b>	Engineered plastic
<b>Mount Type</b>	Handhole   Pedestal

## Optical Specifications

<b>Attenuation at Length, maximum</b>	0.25 dB/km @ 1550 nm   0.35 dB/km @ 1310 nm
<b>Fiber Type</b>	G.657.A2
<b>Insertion Loss, Stub Connector, maximum</b>	0.45 dB
<b>Insertion Loss, Stub Connector, typical</b>	0.16 dB
<b>Insertion Loss, Terminal Connector, maximum</b>	0.40 dB
<b>Insertion Loss, Terminal Connector, typical</b>	0.16 dB
<b>Return Loss, Connector, minimum</b>	65 dB
<b>Wavelength Range</b>	1260–1635 nm

## Environmental Specifications

<b>Environmental Space</b>	Above ground   Below ground   Buried
<b>Operating Temperature</b>	-40 °C to +70 °C (-40 °F to +158 °F)
<b>Qualification Standard</b>	IEC 60529, IP68 + 3 m waterhead   Telcordia GR-3120-CORE   Telcordia GR-3152-CORE
<b>UV Resistance</b>	UV stabilized

## Regulatory Compliance/Certifications

**Agency**

RoHS 2011/65/EU  
ISO 9001:2015

**Classification**

Compliant  
Designed, manufactured and/or distributed under this quality management system

