

FST-R-04X00-G0050M



FST Flexible Service Terminal, 4 Port, 4 Mini-size (DLX) hardened Adapters at drop side, cable stub at feeder side, black, 50m long

- Flexible Service Terminals incorporate hardened connector technology that is designed to withstand the rugged outside plant environment
- Hardened connectors are factory-terminated and environmentally sealed for use in optical drop cable deployments
- Flexible structure plus very small branching unit, allowing installation in constrained spaces
- Output cables are staggered, optimizing distributed space consumption and minimizing cable kinking

Product Classification

| | |
|------------------------------|---------------------------------------|
| Product Type | Access terminal, without splitter/tap |
| Product Series | FST-R |
| Product Brand | DLX® |
| Regional Availability | EMEA |

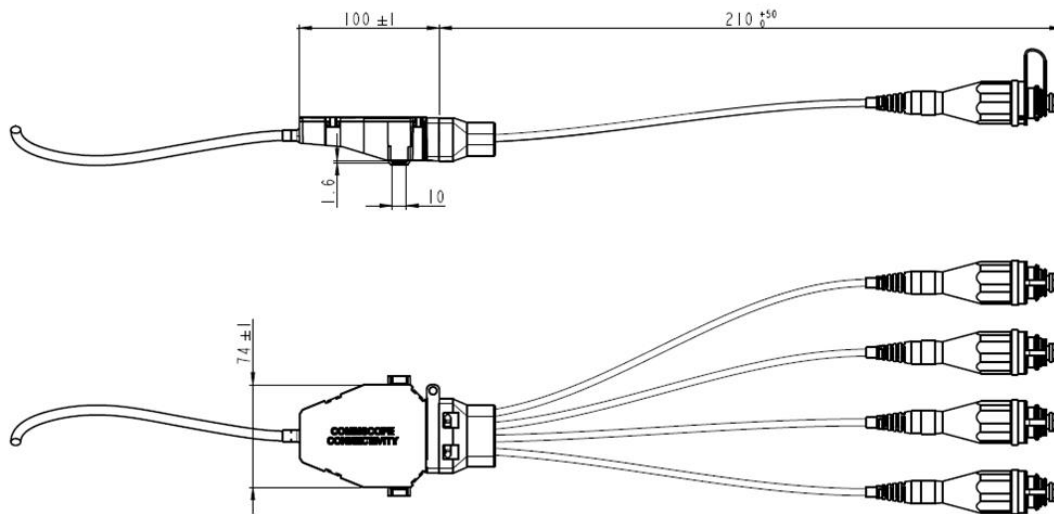
General Specifications

| | |
|-------------------------------|-------------------------|
| Distribution Type | 4 ports |
| Port, quantity | 4 |
| Cable Type | Dielectric - Loose Tube |
| Port Type | Hardened mini-size DLX |
| Stub Type | Stub tail |
| Enclosure Color | Black |
| Minimum Order Quantity | 4 |
| Package, quantity | 4 |
| Packaging Type | Box Carton |
| Splitter, quantity | 0 |

Dimensions

| | |
|-------------------------------|---------------------|
| Cable Length | 50.00 m 164.04 ft |
| Outer Cable Dimensions | 5.5 mm (0.22 in) |

Dimension Drawing



Mechanical Specifications

| | |
|--------------------------------|---------------------|
| Enclosure Material Type | Engineered plastic |
| Mount Type | Handhole Pedestal |

Optical Specifications

| | |
|--|--------------|
| Fiber Type | G.657.A2 |
| Insertion Loss, Terminal Connector, maximum | 0.45 dB |
| Return Loss, Connector, minimum | 60 dB |
| Wavelength Range | 1310–1625 nm |

Environmental Specifications

| | |
|-------------------------------|---|
| Environmental Space | Above ground Below ground Buried |
| Operating Temperature | -20 °C to +65 °C (-4 °F to +149 °F) |
| Qualification Standard | IEC 61753-1 Ed2 category G, IP68, 2 m waterhead |
| UV Resistance | UV stabilized |

Regulatory Compliance/Certifications

| Agency | Classification |
|-----------------|--|
| RoHS 2011/65/EU | Compliant |
| ISO 9001:2015 | Designed, manufactured and/or distributed under this quality management system |

