

7-16 DIN Female to 7-16 DIN Male Bulkhead Adapter



OBSOLETE

Product Classification

Product Type Adapter

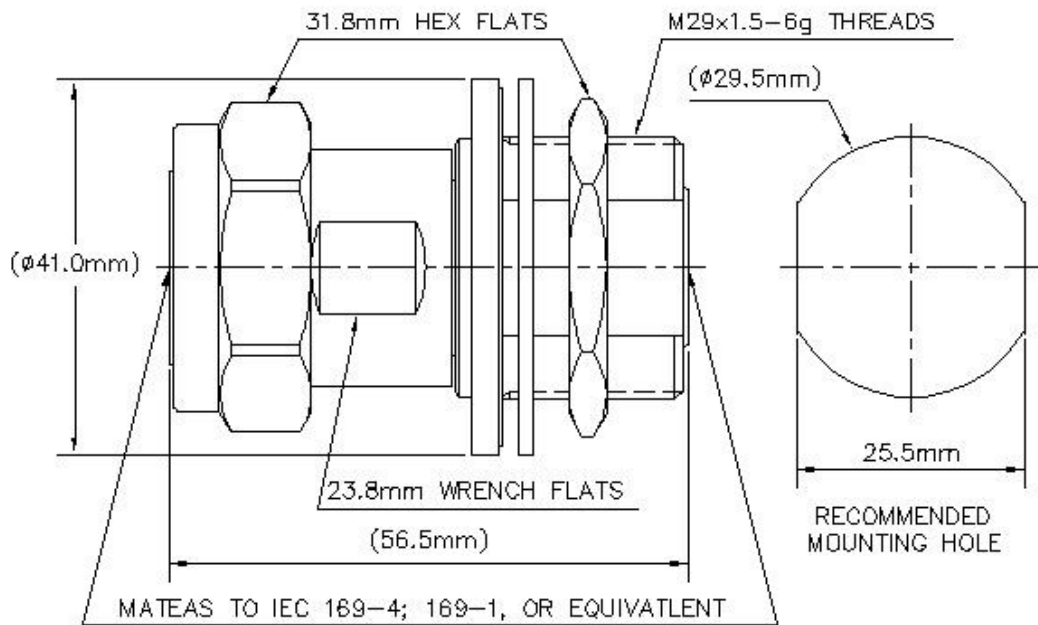
General Specifications

Interface 7-16 DIN Female
Interface 2 7-16 DIN Male
Body Style Bulkhead
Mounting Angle Straight

Electrical Specifications

Connector Impedance 50 ohm
Operating Frequency Band 0 – 6000 MHz
Average Power at Frequency 1,300.0 W @ 900 MHz
RF Operating Voltage, maximum (vrms) 1200.00 V
dc Test Voltage 4000 V
Outer Contact Resistance, maximum 1.50 mOhm
Inner Contact Resistance, maximum 0.40 mOhm
Insulation Resistance, minimum 5000 MOhm
Peak Power, maximum 28.80 kW

Outline Drawing



Mechanical Specifications

Coupling Nut Proof Torque	50.00 N-m 36.88 ft lb
Coupling Nut Proof Torque Method	IEC 61169-4:17
Coupling Nut Retention Force	800.00 N 179.85 lbf
Coupling Nut Retention Force Method	IEC 61169-4:15.2.6
Inner Contact Plating	Silver
Insertion Force	200.00 N 44.96 lbf
Insertion Force Method	IEC 61169-4:15.2.4
Interface Durability	500 cycles
Interface Durability Method	IEC 61169-4:17
Outer Contact Plating	Trimetal
Pressurizable	No

Dimensions

Diameter	31.75 mm 1.25 in
Length	56.49 mm 2.22 in
Weight	341.00 g 0.75 lb
Width	31.75 mm 1.25 in

CA-BDFDM

Environmental Specifications

Operating Temperature	-55 °C to +85 °C (-67 °F to +185 °F)
Storage Temperature	-65 °C to +125 °C (-85 °F to +257 °F)
Immersion Depth	1 m
Immersion Test Mating	Mated
Immersion Test Method	IEC 60529:2001, IP68
Mechanical Shock Test Method	IEC 60068-2-27
Climatic Sequence Test Method	IEC 60068-1
Damp Heat Steady State Test Method	IEC 60068-2-3
Thermal Shock Test Method	IEC 60068-2-14
Vibration Test Method	IEC 60068-2-6
Corrosion Test Method	IEC 60068-2-11

Standard Conditions

Attenuation, Ambient Temperature	20 °C 68 °F
Average Power, Ambient Temperature	40 °C 104 °F
Average Power, Inner Conductor Temperature	100 °C 212 °F

Return Loss/VSWR

Frequency Band	VSWR	Return Loss (dB)
0–3000 MHz	1.06	30.71
3000–6000 MHz	1.20	20.80

Regulatory Compliance/Certifications

Agency	Classification
RoHS 2011/65/EU	Compliant by Exemption
ISO 9001:2015	Designed, manufactured and/or distributed under this quality management system
China RoHS SJ/T 11364-2014	Above Maximum Concentration Value (MCV)



* Footnotes

Immersion Depth Immersion at specified depth for 24 hours