

## 7-16 DIN Female to 7-16 DIN Female Adapter



### Product Classification

**Product Type** Adapter

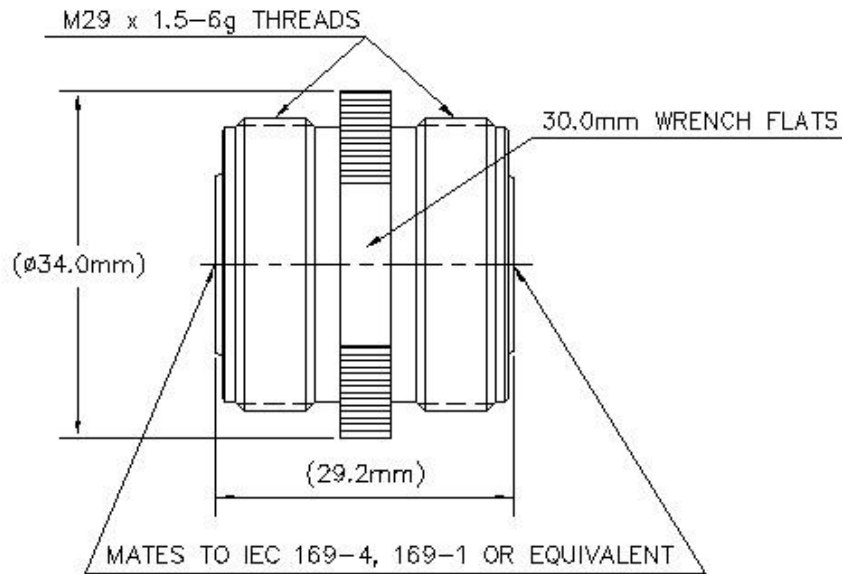
### General Specifications

**Interface** 7-16 DIN Female  
**Interface 2** 7-16 DIN Female  
**Body Style** Straight  
**Mounting Angle** Straight

### Electrical Specifications

**Connector Impedance** 50 ohm  
**Operating Frequency Band** 0 – 7500 MHz  
**Average Power at Frequency** 1,300.0 W @ 900 MHz  
**RF Operating Voltage, maximum (vrms)** 1200.00 V  
**dc Test Voltage** 4000 V  
**Outer Contact Resistance, maximum** 1.50 mOhm  
**Inner Contact Resistance, maximum** 0.40 mOhm  
**Insulation Resistance, minimum** 10000 MOhm  
**Peak Power, maximum** 28.80 kW

## Outline Drawing



## Mechanical Specifications

<b>Inner Contact Plating</b>	Silver
<b>Insertion Force</b>	200.00 N   44.96 lbf
<b>Insertion Force Method</b>	IEC 61169-4:15.2.4
<b>Interface Durability</b>	500 cycles
<b>Interface Durability Method</b>	IEC 61169-4:9.5
<b>Outer Contact Plating</b>	Trimetal
<b>Pressurizable</b>	No

## Dimensions

<b>Diameter</b>	34.00 mm   1.34 in
<b>Length</b>	29.20 mm   1.15 in
<b>Weight</b>	88.65 g   0.20 lb
<b>Width</b>	30.00 mm   1.18 in

## Environmental Specifications

<b>Operating Temperature</b>	-55 °C to +85 °C (-67 °F to +185 °F)
<b>Storage Temperature</b>	-65 °C to +125 °C (-85 °F to +257 °F)

# CA-DFDF

---

<b>Mechanical Shock Test Method</b>	IEC 60068-2-27
<b>Climatic Sequence Test Method</b>	IEC 60068-1
<b>Damp Heat Steady State Test Method</b>	IEC 60068-2-3
<b>Thermal Shock Test Method</b>	IEC 60068-2-14
<b>Vibration Test Method</b>	IEC 60068-2-6
<b>Corrosion Test Method</b>	IEC 60068-2-11

## Standard Conditions

<b>Attenuation, Ambient Temperature</b>	20 °C   68 °F
<b>Average Power, Ambient Temperature</b>	40 °C   104 °F
<b>Average Power, Inner Conductor Temperature</b>	100 °C   212 °F

## Return Loss/VSWR

<b>Frequency Band</b>	<b>VSWR</b>	<b>Return Loss (dB)</b>
0–3000 MHz	1.03	36.00
3000–6000 MHz	1.08	28.00

## Regulatory Compliance/Certifications

### Agency

RoHS 2011/65/EU  
ISO 9001:2015  
China RoHS SJ/T 11364-2014

### Classification

Compliant by Exemption  
Designed, manufactured and/or distributed under this quality management system  
Above Maximum Concentration Value (MCV)

