

MCX Female to Type N Female Adapter



OBSOLETE

Product Classification

Product Type Adapter

General Specifications

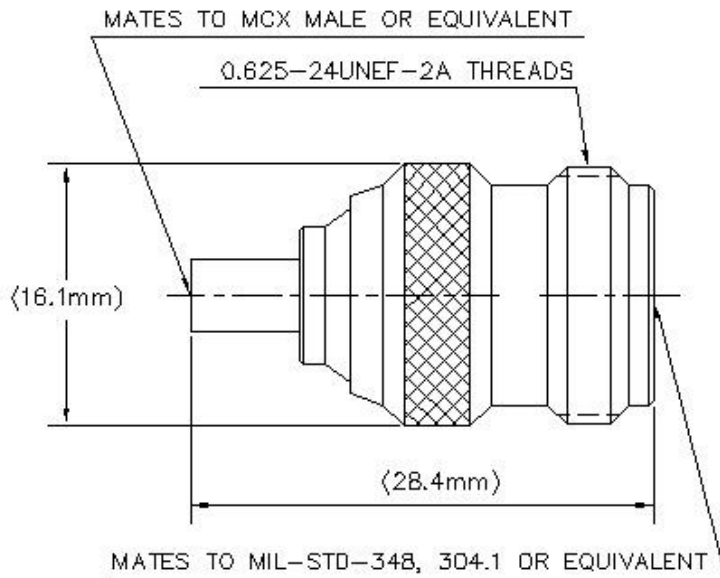
Interface MCX Female
Interface 2 N Female
Body Style Straight
Mounting Angle Straight

Electrical Specifications

Connector Impedance 50 ohm
Operating Frequency Band 0 – 6000 MHz
dc Test Voltage 750 V
Outer Contact Resistance, maximum 2.50 mOhm
Inner Contact Resistance, maximum 5.00 mOhm
Insulation Resistance, minimum 1000 MOhm

CA-MCFNF

Outline Drawing



Mechanical Specifications

Inner Contact Plating	Gold
Interface Durability	500 cycles
Interface Durability Method	IEC 61169-16:9.5
Outer Contact Plating	Trimetal
Pressurizable	No

Dimensions

Diameter	16.10 mm 0.63 in
Length	28.42 mm 1.12 in
Weight	22.54 g 0.05 lb
Width	16.10 mm 0.63 in

Environmental Specifications

Operating Temperature	-55 °C to +85 °C (-67 °F to +185 °F)
Storage Temperature	-65 °C to +125 °C (-85 °F to +257 °F)
Mechanical Shock Test Method	IEC 60068-2-27
Climatic Sequence Test Method	IEC 60068-1

CA-MCFNF

Damp Heat Steady State Test Method	IEC 60068-2-3
Thermal Shock Test Method	IEC 60068-2-14
Vibration Test Method	IEC 60068-2-6
Corrosion Test Method	IEC 60068-2-11

Standard Conditions

Attenuation, Ambient Temperature	20 °C 68 °F
Average Power, Ambient Temperature	40 °C 104 °F
Average Power, Inner Conductor Temperature	100 °C 212 °F

Return Loss/VSWR

Frequency Band	VSWR	Return Loss (dB)
0–3000 MHz	1.06	30.57
3000–6000 MHz	1.34	16.86

Regulatory Compliance/Certifications

Agency

RoHS 2011/65/EU
ISO 9001:2015
China RoHS SJ/T 11364-2014

Classification

Compliant by Exemption
Designed, manufactured and/or distributed under this quality management system
Above Maximum Concentration Value (MCV)

