



Type N Female to SMA Female Adapter

Product Classification

Product Type Adapter

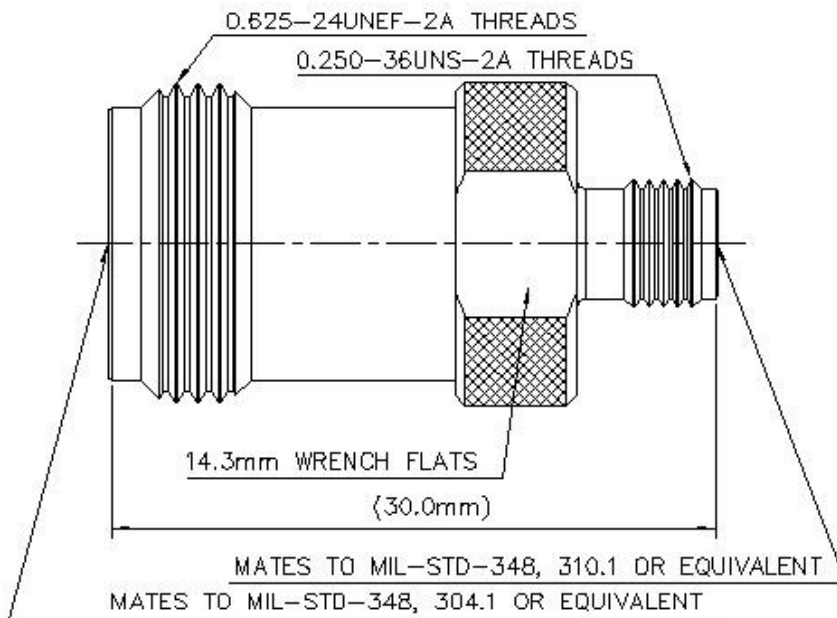
General Specifications

Interface N Female
Interface 2 SMA Female
Body Style Straight
Mounting Angle Straight

Electrical Specifications

Connector Impedance 50 ohm
Operating Frequency Band 0 – 6000 MHz
RF Operating Voltage, maximum (vrms) 500.00 V
dc Test Voltage 1000 V
Outer Contact Resistance, maximum 2.50 mOhm
Inner Contact Resistance, maximum 3.00 mOhm
Insulation Resistance, minimum 5000 MOhm
Peak Power, maximum 5.00 kW

Outline Drawing



Mechanical Specifications

Inner Contact Plating	Gold
Interface Durability	500 cycles
Interface Durability Method	IEC 61169-15:9.5 IEC 61169-16:9.5
Outer Contact Plating	Trimetal

Dimensions

Diameter	16.00 mm 0.63 in
Length	30.00 mm 1.18 in
Weight	26.18 g 0.06 lb
Width	16.00 mm 0.63 in

Environmental Specifications

Operating Temperature	-55 °C to +85 °C (-67 °F to +185 °F)
Storage Temperature	-65 °C to +125 °C (-85 °F to +257 °F)
Mechanical Shock Test Method	IEC 60068-2-27
Climatic Sequence Test Method	IEC 60068-1
Damp Heat Steady State Test Method	IEC 60068-2-3

CA-NFSF

Thermal Shock Test Method	IEC 60068-2-14
Vibration Test Method	IEC 60068-2-6
Corrosion Test Method	IEC 60068-2-11

Standard Conditions

Attenuation, Ambient Temperature	20 °C 68 °F
Average Power, Ambient Temperature	40 °C 104 °F
Average Power, Inner Conductor Temperature	100 °C 212 °F

Return Loss/VSWR

Frequency Band	VSWR	Return Loss (dB)
0–3000 MHz	1.05	32.00
3000–6000 MHz	1.22	20.00