



QDS Male to Type N Female Adapter

## Product Classification

**Product Type** Adapter

## General Specifications

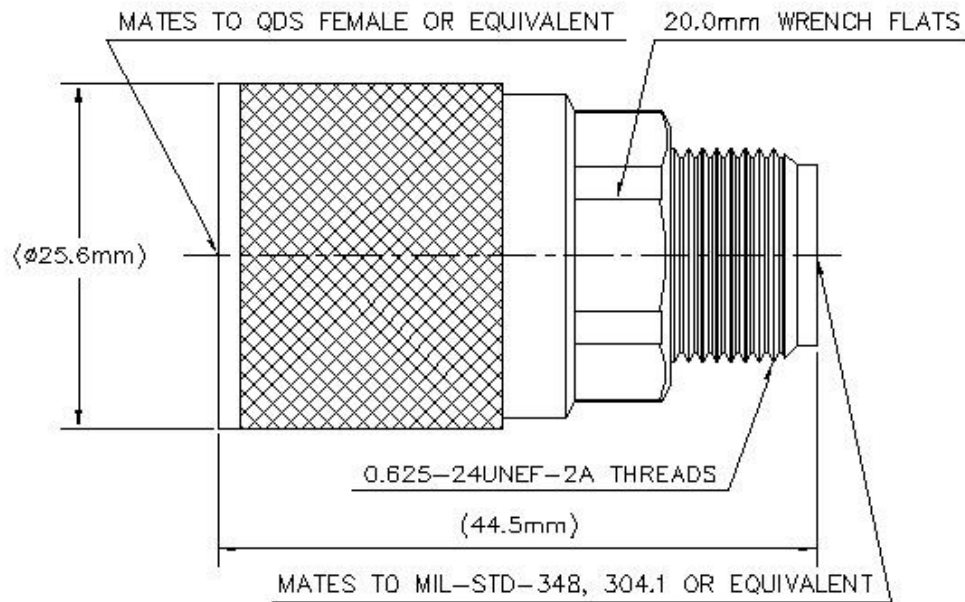
**Interface** QDS Male  
**Interface 2** N Female  
**Body Style** Straight  
**Mounting Angle** Straight

## Electrical Specifications

**Connector Impedance** 50 ohm  
**Operating Frequency Band** 0 – 3000 MHz  
**Average Power at Frequency** 600.0 W @ 900 MHz  
**RF Operating Voltage, maximum (vrms)** 707.00 V  
**dc Test Voltage** 2500 V  
**Outer Contact Resistance, maximum** 3.00 mOhm  
**Inner Contact Resistance, maximum** 6.00 mOhm  
**Insulation Resistance, minimum** 5000 MOhm  
**Peak Power, maximum** 10.00 kW

# CA-QDSNF

## Outline Drawing



## Mechanical Specifications

<b>Inner Contact Plating</b>	Gold
<b>Interface Durability</b>	500 cycles
<b>Interface Durability Method</b>	IEC 61169-16:9.5
<b>Outer Contact Plating</b>	Trimetal
<b>Pressurizable</b>	No

## Dimensions

<b>Diameter</b>	25.61 mm   1.01 in
<b>Length</b>	44.50 mm   1.75 in
<b>Weight</b>	82.00 g   0.18 lb
<b>Width</b>	25.61 mm   1.01 in

## Environmental Specifications

<b>Operating Temperature</b>	-55 °C to +85 °C (-67 °F to +185 °F)
<b>Storage Temperature</b>	-65 °C to +125 °C (-85 °F to +257 °F)
<b>Mechanical Shock Test Method</b>	IEC 60068-2-27
<b>Climatic Sequence Test Method</b>	IEC 60068-1

# CA-QDSNF

---

<b>Damp Heat Steady State Test Method</b>	IEC 60068-2-3
<b>Thermal Shock Test Method</b>	IEC 60068-2-14
<b>Vibration Test Method</b>	IEC 60068-2-6
<b>Corrosion Test Method</b>	IEC 60068-2-11

## Standard Conditions

<b>Attenuation, Ambient Temperature</b>	20 °C   68 °F
<b>Average Power, Ambient Temperature</b>	40 °C   104 °F
<b>Average Power, Inner Conductor Temperature</b>	100 °C   212 °F

## Return Loss/VSWR

<b>Frequency Band</b>	<b>VSWR</b>	<b>Return Loss (dB)</b>
0–2200 MHz	1.13	24.04
2200–3000 MHz	1.25	19.24

## Regulatory Compliance/Certifications

### Agency

RoHS 2011/65/EU  
ISO 9001:2015  
China RoHS SJ/T 11364-2014

### Classification

Compliant by Exemption  
Designed, manufactured and/or distributed under this quality management system  
Above Maximum Concentration Value (MCV)

