



SMA Female to QMA Male Right Angle Adapter

Product Classification

Product Type Adapter

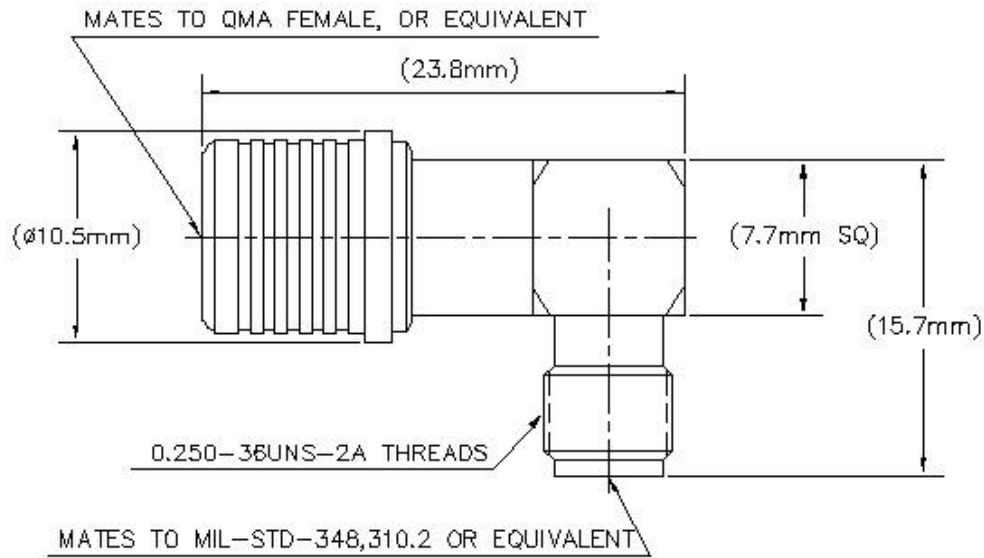
General Specifications

Interface SMA Female
Interface 2 QMA Male
Body Style Right angle
Mounting Angle Right angle

Electrical Specifications

Connector Impedance 50 ohm
Operating Frequency Band 0 – 11000 MHz
Average Power at Frequency 100.0 W @ 900 MHz
RF Operating Voltage, maximum (vrms) 500.00 V
dc Test Voltage 1000 V
Outer Contact Resistance, maximum 2.50 mOhm
Inner Contact Resistance, maximum 3.00 mOhm
Insulation Resistance, minimum 5000 MOhm
Peak Power, maximum 5.00 kW

Outline Drawing



Mechanical Specifications

Inner Contact Plating	Gold
Insertion Force	22.00 N 4.95 lbf
Insertion Force Method	IEC 61169-15:9.3.5
Interface Durability	100 cycles
Interface Durability Method	IEC 61169-16:9.5
Outer Contact Plating	Trimetal
Pressurizable	No

Dimensions

Diameter	17.06 mm 0.67 in
Length	23.80 mm 0.94 in
Weight	9.02 g 0.02 lb
Width	10.50 mm 0.41 in

Environmental Specifications

Operating Temperature	-55 °C to +85 °C (-67 °F to +185 °F)
Storage Temperature	-65 °C to +125 °C (-85 °F to +257 °F)

CA-SFQMR

Mechanical Shock Test Method	IEC 60068-2-27
Climatic Sequence Test Method	IEC 60068-1
Damp Heat Steady State Test Method	IEC 60068-2-3
Thermal Shock Test Method	IEC 60068-2-14
Vibration Test Method	IEC 60068-2-6
Corrosion Test Method	IEC 60068-2-11

Standard Conditions

Attenuation, Ambient Temperature	20 °C 68 °F
Average Power, Ambient Temperature	40 °C 104 °F
Average Power, Inner Conductor Temperature	100 °C 212 °F

Return Loss/VSWR

Frequency Band	VSWR	Return Loss (dB)
0–3000 MHz	1.04	33.74
3000–6000 MHz	1.07	29.91
6000–11000 MHz	1.24	19.43

Regulatory Compliance/Certifications

Agency

RoHS 2011/65/EU
ISO 9001:2015
China RoHS SJ/T 11364-2014

Classification

Compliant by Exemption
Designed, manufactured and/or distributed under this quality management system
Above Maximum Concentration Value (MCV)

