

SMA Female to SMA Male Right Angle Adapter

Product Classification

Product Type Adapter

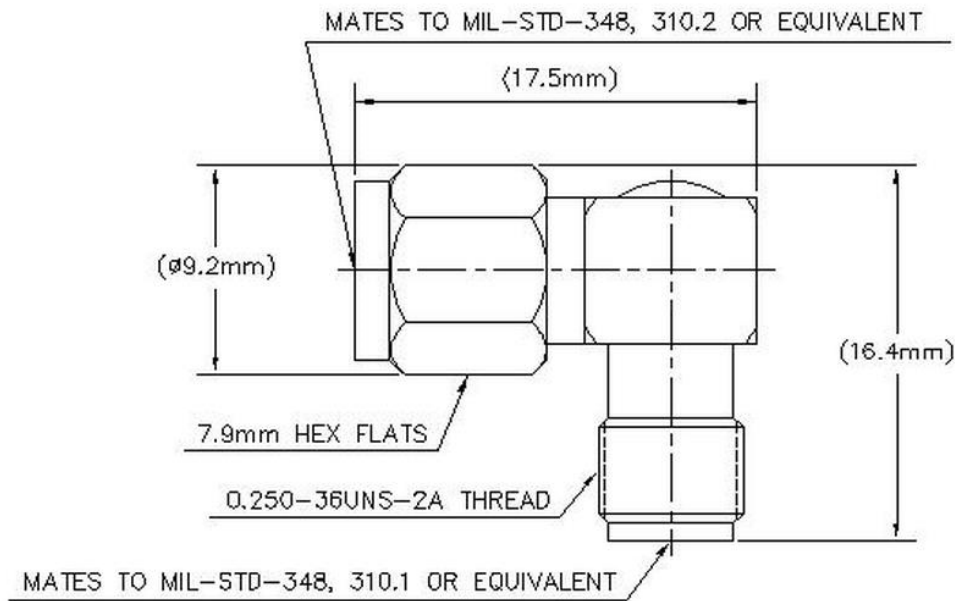
General Specifications

Interface	SMA Female
Interface 2	SMA Male
Body Style	Right angle
Mounting Angle	Right angle

Electrical Specifications

Connector Impedance	50 ohm
Operating Frequency Band	0 – 6000 MHz
Average Power at Frequency	100.0 W @ 900 MHz
RF Operating Voltage, maximum (vrms)	500.00 V
dc Test Voltage	1000 V
Outer Contact Resistance, maximum	2.50 mOhm
Inner Contact Resistance, maximum	3.00 mOhm
Insulation Resistance, minimum	5000 MOhm
Peak Power, maximum	5.00 kW

Outline Drawing



Mechanical Specifications

Coupling Nut Proof Torque	1.70 N-m 1.25 ft lb
Coupling Nut Proof Torque Method	IEC 61169-15:9.3.6
Coupling Nut Retention Force	180.00 N 40.47 lbf
Coupling Nut Retention Force Method	IEC 61169-15:9.3.11
Inner Contact Plating	Gold
Insertion Force	22.00 N 4.95 lbf
Insertion Force Method	IEC 61169-15:9.3.5
Interface Durability	500 cycles
Interface Durability Method	IEC 61169-15:9.5
Outer Contact Plating	Trimetal
Pressurizable	No

Dimensions

Diameter	7.92 mm 0.31 in
Length	29.97 mm 1.18 in
Weight	8.21 g 0.02 lb
Width	16.37 mm 0.64 in

Environmental Specifications

Operating Temperature	-55 °C to +85 °C (-67 °F to +185 °F)
Storage Temperature	-65 °C to +125 °C (-85 °F to +257 °F)
Mechanical Shock Test Method	IEC 60068-2-27
Climatic Sequence Test Method	IEC 60068-1
Damp Heat Steady State Test Method	IEC 60068-2-3
Thermal Shock Test Method	IEC 60068-2-14
Vibration Test Method	IEC 60068-2-6
Corrosion Test Method	IEC 60068-2-11

Standard Conditions

Attenuation, Ambient Temperature	20 °C 68 °F
Average Power, Ambient Temperature	40 °C 104 °F
Average Power, Inner Conductor Temperature	100 °C 212 °F

Return Loss/VSWR

Frequency Band	VSWR	Return Loss (dB)
0–3000 MHz	1.08	28.00
3000–6000 MHz	1.08	28.00

Regulatory Compliance/Certifications

Agency

RoHS 2011/65/EU
ISO 9001:2015
China RoHS SJ/T 11364-2014

Classification

Compliant by Exemption
Designed, manufactured and/or distributed under this quality management system
Above Maximum Concentration Value (MCV)

