



Type N Female to 7-16 DIN Male Adapter

Product Classification

Product Type Adapter

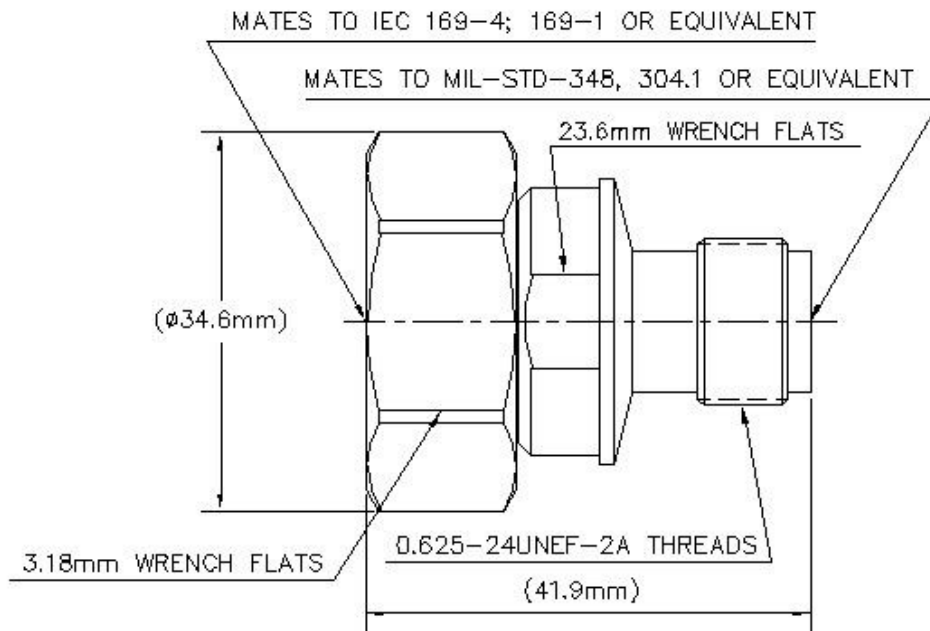
General Specifications

Interface N Female
Interface 2 7-16 DIN Male
Body Style Straight
Mounting Angle Straight
Ordering Note CommScope® standard product in Europe, the Middle East, and Africa

Electrical Specifications

Connector Impedance 50 ohm
Operating Frequency Band 0 – 6000 MHz
Average Power at Frequency 600.0 W @ 900 MHz
3rd Order IMD, typical 116 dBm @ 1800 MHz
3rd Order IMD Test Method Two +43 dBm carriers
RF Operating Voltage, maximum (vrms) 707.00 V
dc Test Voltage 2500 V
Outer Contact Resistance, maximum 0.40 mOhm
Inner Contact Resistance, maximum 1.50 mOhm
Insulation Resistance, minimum 5000 MOhm
Peak Power, maximum 10.00 kW

Outline Drawing



Mechanical Specifications

| | |
|--|-----------------------------------|
| Coupling Nut Proof Torque | 35.00 N-m 25.81 ft lb |
| Coupling Nut Proof Torque Method | IEC 61169-4:17 |
| Coupling Nut Retention Force | 800.00 N 179.85 lbf |
| Coupling Nut Retention Force Method | IEC 61169-4:15.2.6 |
| Inner Contact Plating | Silver |
| Insertion Force | 200.00 N 44.96 lbf |
| Insertion Force Method | IEC 61169-16:9.3.5 |
| Interface Durability | 500 cycles |
| Interface Durability Method | IEC 61169-16:9.5 IEC 61169-4:17 |
| Outer Contact Plating | Trimetal |
| Pressurizable | No |

Dimensions

| | |
|-----------------|--------------------|
| Diameter | 22.35 mm 0.88 in |
| Length | 47.23 mm 1.86 in |
| Weight | 122.00 g 0.27 lb |
| Width | 22.35 mm 0.88 in |

CA-TNFDM

Environmental Specifications

| | |
|---|---------------------------------------|
| Operating Temperature | -55 °C to +85 °C (-67 °F to +185 °F) |
| Storage Temperature | -65 °C to +125 °C (-85 °F to +257 °F) |
| Immersion Depth | 1 m |
| Immersion Test Mating | Mated |
| Immersion Test Method | IEC 60529:2001, IP68 |
| Mechanical Shock Test Method | IEC 60068-2-27 |
| Climatic Sequence Test Method | IEC 60068-1 |
| Damp Heat Steady State Test Method | IEC 60068-2-3 |
| Thermal Shock Test Method | IEC 60068-2-14 |
| Vibration Test Method | IEC 60068-2-6 |
| Corrosion Test Method | IEC 60068-2-11 |

Standard Conditions

| | |
|---|-----------------|
| Attenuation, Ambient Temperature | 20 °C 68 °F |
| Average Power, Ambient Temperature | 40 °C 104 °F |
| Average Power, Inner Conductor Temperature | 100 °C 212 °F |

Return Loss/VSWR

| Frequency Band | VSWR | Return Loss (dB) |
|-----------------------|-------------|-------------------------|
| 0–3000 MHz | 1.05 | 32.00 |
| 3000–6000 MHz | 1.13 | 24.00 |

Regulatory Compliance/Certifications

| Agency | Classification |
|----------------------------|--|
| RoHS 2011/65/EU | Compliant by Exemption |
| ISO 9001:2015 | Designed, manufactured and/or distributed under this quality management system |
| China RoHS SJ/T 11364-2014 | Above Maximum Concentration Value (MCV) |



* Footnotes

Immersion Depth Immersion at specified depth for 24 hours