

2260B

Type N Female to 7/8 in EIA Flange Adapter

OBSOLETE

Replaced By

2260B-2-S

Type N Female to 7/8 in EIA Flange Adapter

Product Classification

Product Type Adapter

General Specifications

Interface 7/8 in EIA Flange

Interface 2 N Female

Body Style Straight

Mounting Angle Straight

Electrical Specifications

Connector Impedance 50 ohm

Operating Frequency Band 0 – 3000 MHz

Average Power at Frequency 300.0 W @ 900 MHz

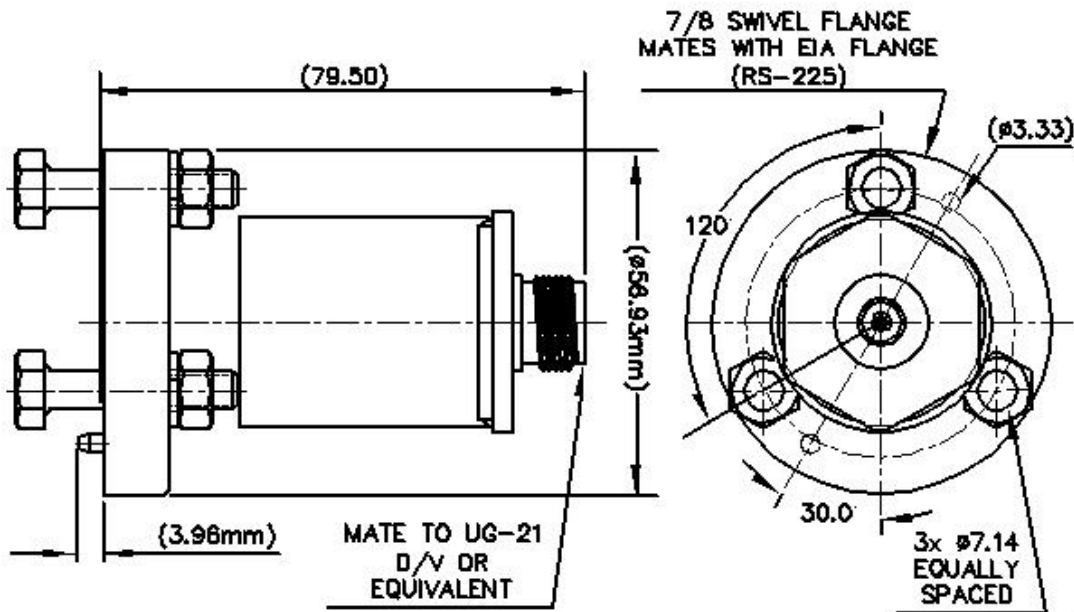
dc Test Voltage 2000 V

Outer Contact Resistance, maximum 5.00 mOhm

Inner Contact Resistance, maximum 5.00 mOhm

Insulation Resistance, minimum 5000 MOhm

Outline Drawing



Mechanical Specifications

Inner Contact Plating	Silver
Insertion Force	28.00 N 6.29 lbf
Insertion Force Method	IEC 61169-16:9.3.5
Interface Durability	500 cycles
Interface Durability Method	IEC 61169-12:9.5
Outer Contact Plating	Copper alloy treatment
Pressurizable	No

Dimensions

Diameter	56.93 mm 2.24 in
Length	79.50 mm 3.13 in
Weight	0.45 kg 1.00 lb

Environmental Specifications

Operating Temperature	-55 °C to +85 °C (-67 °F to +185 °F)
Storage Temperature	-65 °C to +125 °C (-85 °F to +257 °F)
Mechanical Shock Test Method	IEC 60068-2-27

Climatic Sequence Test Method	IEC 60068-1
Damp Heat Steady State Test Method	IEC 60068-2-3
Thermal Shock Test Method	IEC 60068-2-14
Vibration Test Method	IEC 60068-2-6
Corrosion Test Method	IEC 60068-2-11

Standard Conditions

Attenuation, Ambient Temperature	20 °C 68 °F
Average Power, Ambient Temperature	40 °C 104 °F
Average Power, Inner Conductor Temperature	100 °C 212 °F

Return Loss/VSWR

Frequency Band	VSWR	Return Loss (dB)
0–1500 MHz	1.20	20.83
1500–3000 MHz	1.35	16.54

Regulatory Compliance/Certifications

Agency	Classification
ISO 9001:2015	Designed, manufactured and/or distributed under this quality management system

